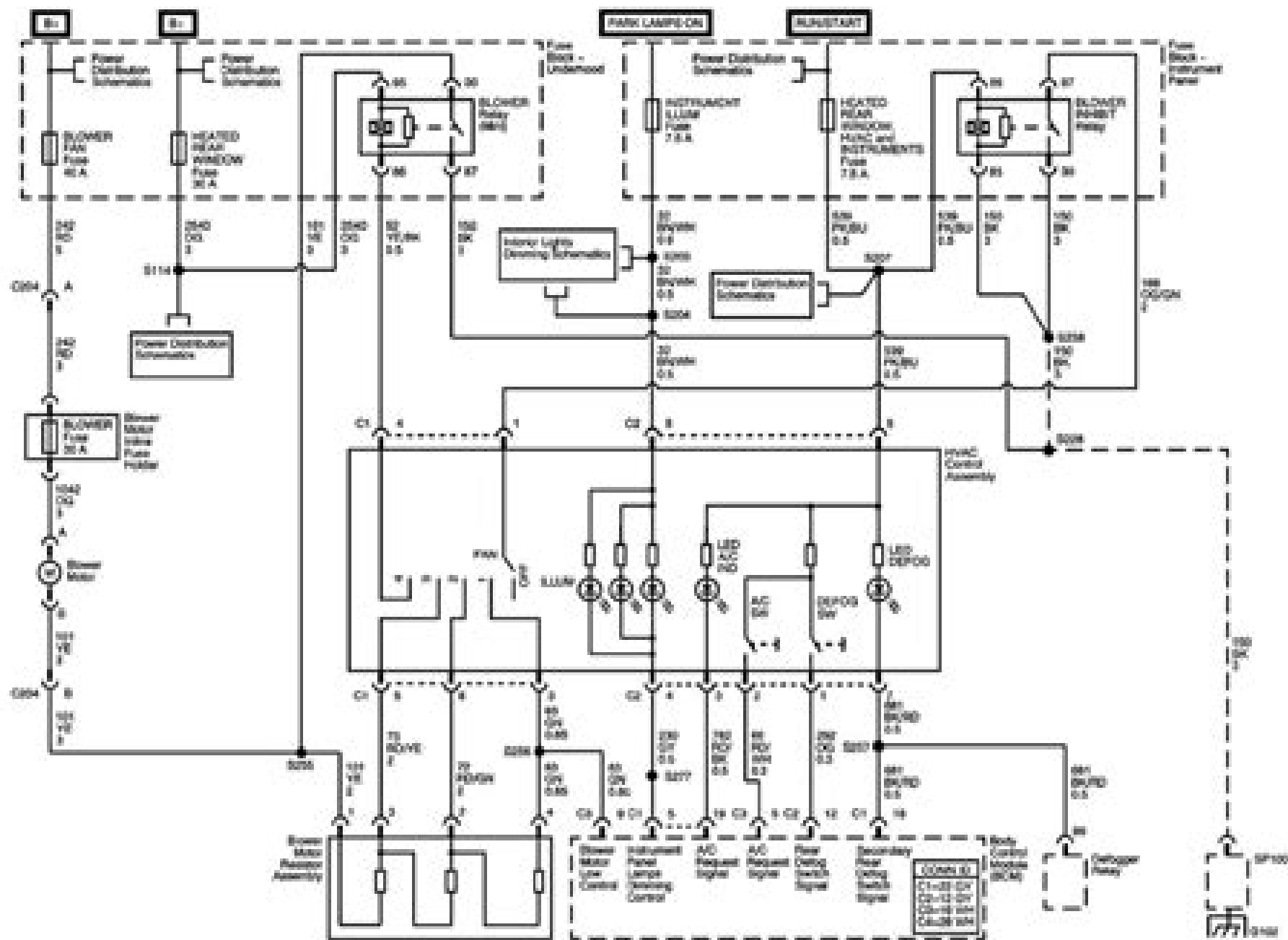


# Blower Control



# 04 International 4300 Air Brake Repair Manual

**Bendix Westinghouse Automotive Air  
Brake Co**

#### **04 International 4300 Air Brake Repair Manual:**

**Moody's Manual of Investments, American and Foreign; Banks, Insurance Companies, Investment Trusts, Real Estate, Finance and Credit Companies** ,1944    *Moody's Manual of Investments* John Sherman Porter,1959  
American government securities 1928 53 in 5 annual vols v 1 Railroad securities 1952 53 Transportation v 2 Industrial securities v 3 Public utility securities v 4 Government securities 1928 54 v 5 Banks insurance companies investment trusts real estate finance and credit companies 1928 54    Moody's Manual of Investments: American and Foreign ,1944

**Subject Guide to Books in Print** ,2001    **Moody's Bank and Finance Manual** ,1959    Containerisation International Yearbook 1982 International Publications Service,1982    **Popular Electronics** ,1976    **Autocar & Motor** ,1992-04    Jane's All the World's Aircraft ,2007    F & S Index International: Industries, Countries, Companies ,1981

Thomas Register of American Manufacturers ,2002 This basic source for identification of U S manufacturers is arranged by product in a large multi volume set Includes Products services Company profiles and Catalog file    **Product Safety & Liability Reporter** ,2005    *Predicasts F & S Index International Annual* ,1981    *Thomas Register* ,2004    Cars & Parts ,1990    **Thomas Register of American Manufacturers and Thomas Register Catalog File** ,2002 Vols for 1970 71 includes manufacturers catalogs    *MacRae's Blue Book* ,1970    **Autocar** ,2001    *Maintenance Manual; [Bendix-Westinghouse Air Brakes]*. Bendix-Westinghouse Automotive Air Brake Co,1941    **Bendix-Westinghouse Maintenance Manual** Bendix Westinghouse Automotive Air Brake Co,1952

Delve into the emotional tapestry woven by Crafted by in Experience **04 International 4300 Air Brake Repair Manual** . This ebook, available for download in a PDF format ( \*), is more than just words on a page; it's a journey of connection and profound emotion. Immerse yourself in narratives that tug at your heartstrings. Download now to experience the pulse of each page and let your emotions run wild.

[https://new.webyeshiva.org/book/Resources/Download\\_PDFS/mini%20cooper%20s%202009%20repair%20manual.pdf](https://new.webyeshiva.org/book/Resources/Download_PDFS/mini%20cooper%20s%202009%20repair%20manual.pdf)

## **Table of Contents 04 International 4300 Air Brake Repair Manual**

1. Understanding the eBook 04 International 4300 Air Brake Repair Manual
  - The Rise of Digital Reading 04 International 4300 Air Brake Repair Manual
  - Advantages of eBooks Over Traditional Books
2. Identifying 04 International 4300 Air Brake Repair Manual
  - Exploring Different Genres
  - Considering Fiction vs. Non-Fiction
  - Determining Your Reading Goals
3. Choosing the Right eBook Platform
  - Popular eBook Platforms
  - Features to Look for in an 04 International 4300 Air Brake Repair Manual
  - User-Friendly Interface
4. Exploring eBook Recommendations from 04 International 4300 Air Brake Repair Manual
  - Personalized Recommendations
  - 04 International 4300 Air Brake Repair Manual User Reviews and Ratings
  - 04 International 4300 Air Brake Repair Manual and Bestseller Lists
5. Accessing 04 International 4300 Air Brake Repair Manual Free and Paid eBooks
  - 04 International 4300 Air Brake Repair Manual Public Domain eBooks
  - 04 International 4300 Air Brake Repair Manual eBook Subscription Services
  - 04 International 4300 Air Brake Repair Manual Budget-Friendly Options

6. Navigating 04 International 4300 Air Brake Repair Manual eBook Formats
  - ePub, PDF, MOBI, and More
  - 04 International 4300 Air Brake Repair Manual Compatibility with Devices
  - 04 International 4300 Air Brake Repair Manual Enhanced eBook Features
7. Enhancing Your Reading Experience
  - Adjustable Fonts and Text Sizes of 04 International 4300 Air Brake Repair Manual
  - Highlighting and Note-Taking 04 International 4300 Air Brake Repair Manual
  - Interactive Elements 04 International 4300 Air Brake Repair Manual
8. Staying Engaged with 04 International 4300 Air Brake Repair Manual
  - Joining Online Reading Communities
  - Participating in Virtual Book Clubs
  - Following Authors and Publishers 04 International 4300 Air Brake Repair Manual
9. Balancing eBooks and Physical Books 04 International 4300 Air Brake Repair Manual
  - Benefits of a Digital Library
  - Creating a Diverse Reading Collection 04 International 4300 Air Brake Repair Manual
10. Overcoming Reading Challenges
  - Dealing with Digital Eye Strain
  - Minimizing Distractions
  - Managing Screen Time
11. Cultivating a Reading Routine 04 International 4300 Air Brake Repair Manual
  - Setting Reading Goals 04 International 4300 Air Brake Repair Manual
  - Carving Out Dedicated Reading Time
12. Sourcing Reliable Information of 04 International 4300 Air Brake Repair Manual
  - Fact-Checking eBook Content of 04 International 4300 Air Brake Repair Manual
  - Distinguishing Credible Sources
13. Promoting Lifelong Learning
  - Utilizing eBooks for Skill Development
  - Exploring Educational eBooks
14. Embracing eBook Trends
  - Integration of Multimedia Elements

- Interactive and Gamified eBooks

### **04 International 4300 Air Brake Repair Manual Introduction**

In the digital age, access to information has become easier than ever before. The ability to download 04 International 4300 Air Brake Repair Manual has revolutionized the way we consume written content. Whether you are a student looking for course material, an avid reader searching for your next favorite book, or a professional seeking research papers, the option to download 04 International 4300 Air Brake Repair Manual has opened up a world of possibilities. Downloading 04 International 4300 Air Brake Repair Manual provides numerous advantages over physical copies of books and documents. Firstly, it is incredibly convenient. Gone are the days of carrying around heavy textbooks or bulky folders filled with papers. With the click of a button, you can gain immediate access to valuable resources on any device. This convenience allows for efficient studying, researching, and reading on the go. Moreover, the cost-effective nature of downloading 04 International 4300 Air Brake Repair Manual has democratized knowledge. Traditional books and academic journals can be expensive, making it difficult for individuals with limited financial resources to access information. By offering free PDF downloads, publishers and authors are enabling a wider audience to benefit from their work. This inclusivity promotes equal opportunities for learning and personal growth. There are numerous websites and platforms where individuals can download 04 International 4300 Air Brake Repair Manual. These websites range from academic databases offering research papers and journals to online libraries with an expansive collection of books from various genres. Many authors and publishers also upload their work to specific websites, granting readers access to their content without any charge. These platforms not only provide access to existing literature but also serve as an excellent platform for undiscovered authors to share their work with the world. However, it is essential to be cautious while downloading 04 International 4300 Air Brake Repair Manual. Some websites may offer pirated or illegally obtained copies of copyrighted material. Engaging in such activities not only violates copyright laws but also undermines the efforts of authors, publishers, and researchers. To ensure ethical downloading, it is advisable to utilize reputable websites that prioritize the legal distribution of content. When downloading 04 International 4300 Air Brake Repair Manual, users should also consider the potential security risks associated with online platforms. Malicious actors may exploit vulnerabilities in unprotected websites to distribute malware or steal personal information. To protect themselves, individuals should ensure their devices have reliable antivirus software installed and validate the legitimacy of the websites they are downloading from. In conclusion, the ability to download 04 International 4300 Air Brake Repair Manual has transformed the way we access information. With the convenience, cost-effectiveness, and accessibility it offers, free PDF downloads have become a popular choice for students, researchers, and book lovers worldwide. However, it is crucial to engage in ethical downloading practices and prioritize personal security when utilizing online platforms. By

doing so, individuals can make the most of the vast array of free PDF resources available and embark on a journey of continuous learning and intellectual growth.

### **FAQs About 04 International 4300 Air Brake Repair Manual Books**

How do I know which eBook platform is the best for me? Finding the best eBook platform depends on your reading preferences and device compatibility. Research different platforms, read user reviews, and explore their features before making a choice. Are free eBooks of good quality? Yes, many reputable platforms offer high-quality free eBooks, including classics and public domain works. However, make sure to verify the source to ensure the eBook credibility. Can I read eBooks without an eReader? Absolutely! Most eBook platforms offer webbased readers or mobile apps that allow you to read eBooks on your computer, tablet, or smartphone. How do I avoid digital eye strain while reading eBooks? To prevent digital eye strain, take regular breaks, adjust the font size and background color, and ensure proper lighting while reading eBooks. What the advantage of interactive eBooks? Interactive eBooks incorporate multimedia elements, quizzes, and activities, enhancing the reader engagement and providing a more immersive learning experience. 04 International 4300 Air Brake Repair Manual is one of the best book in our library for free trial. We provide copy of 04 International 4300 Air Brake Repair Manual in digital format, so the resources that you find are reliable. There are also many Ebooks of related with 04 International 4300 Air Brake Repair Manual. Where to download 04 International 4300 Air Brake Repair Manual online for free? Are you looking for 04 International 4300 Air Brake Repair Manual PDF? This is definitely going to save you time and cash in something you should think about. If you trying to find then search around for online. Without a doubt there are numerous these available and many of them have the freedom. However without doubt you receive whatever you purchase. An alternate way to get ideas is always to check another 04 International 4300 Air Brake Repair Manual. This method for see exactly what may be included and adopt these ideas to your book. This site will almost certainly help you save time and effort, money and stress. If you are looking for free books then you really should consider finding to assist you try this. Several of 04 International 4300 Air Brake Repair Manual are for sale to free while some are payable. If you arent sure if the books you would like to download works with for usage along with your computer, it is possible to download free trials. The free guides make it easy for someone to free access online library for download books to your device. You can get free download on free trial for lots of books categories. Our library is the biggest of these that have literally hundreds of thousands of different products categories represented. You will also see that there are specific sites catered to different product types or categories, brands or niches related with 04 International 4300 Air Brake Repair Manual. So depending on what exactly you are searching, you will be able to choose e books to suit your own need. Need to access completely for

Campbell Biology Seventh Edition book? Access Ebook without any digging. And by having access to our ebook online or by storing it on your computer, you have convenient answers with 04 International 4300 Air Brake Repair Manual To get started finding 04 International 4300 Air Brake Repair Manual, you are right to find our website which has a comprehensive collection of books online. Our library is the biggest of these that have literally hundreds of thousands of different products represented. You will also see that there are specific sites catered to different categories or niches related with 04 International 4300 Air Brake Repair Manual So depending on what exactly you are searching, you will be able to choose ebook to suit your own need. Thank you for reading 04 International 4300 Air Brake Repair Manual. Maybe you have knowledge that, people have search numerous times for their favorite readings like this 04 International 4300 Air Brake Repair Manual, but end up in harmful downloads. Rather than reading a good book with a cup of coffee in the afternoon, instead they juggled with some harmful bugs inside their laptop. 04 International 4300 Air Brake Repair Manual is available in our book collection an online access to it is set as public so you can download it instantly. Our digital library spans in multiple locations, allowing you to get the most less latency time to download any of our books like this one. Merely said, 04 International 4300 Air Brake Repair Manual is universally compatible with any devices to read.

### **Find 04 International 4300 Air Brake Repair Manual :**

[mini cooper s 2009 repair manual](#)

[panasonic dmp bd79 manual](#)

**modern biology study guide answer key ch 28**

[fetal alcohol](#)

[manual bmw x1](#)

[a familiar face english edition](#)

**manual repair bmxa honda civic diagram**

**topcon gts 800 manual**

[0m 460 la repair manual](#)

**exposition of the epistle to the romans**

**natures building blocks an a z guide to the elements**

[1999 yamaha bear tracker 250 manual](#)

[naughty girl naughty girl series book 1](#)

**4th grade test bank science**

[section 3 1 measurements and their uncertainty practice problems](#)



**04 International 4300 Air Brake Repair Manual :**

9 7 applying the nursing process to anxiety disorders - Feb 06 2023

web a person experiencing severe anxiety to panic is often unable to solve problems or grasp what is going on in the environment the nurse should also remain with a client experiencing acute severe or panic levels of anxiety therapeutic communication should focus on helping the client feel safe

depression nursing diagnosis and nursing care plan - Aug 12 2023

web mar 20 2022 nursing care plan for depression 2 nursing diagnosis impaired social interaction related to social isolation secondary to clinical depression as evidenced by withdrawal from group gatherings or social events anxiety impaired perception inability to meet basic needs and role expectations

**5 anxiety and panic disorders nursing care plans nurseslabs** - Jun 10 2023

web oct 13 2023 5 anxiety and panic disorders nursing care plans updated on october 13 2023 by matt vera bsn r n anxiety is a vague feeling of dread or apprehension uneasiness it is the activation of the autonomic nervous system in response to external or internal stimuli that can have behavioral emotional cognitive and physical symptoms

nursing care plan ncp for anxiety - Mar 07 2023

web create a plan and goals for a patient with anxiety write a nursing implementation for a patient anxiety evaluate the effectiveness of your nursing care plan understand and explain the nursing interventions and rationales associated with a nursing care plan for depression and anxiety - Feb 23 2022

web introduction depression and anxiety can be profoundly life changing conditions many adults that experience depression and anxiety need extra care and support to manage the symptoms of these conditions nursing care plans offer support and provide an effective way to manage these mental health challenges

**nursing interventions for anxiety care plan simple nursing** - May 29 2022

web nursing care plan for anxiety jump to sections pathophysiology of anxiety anxiety signs symptoms nursing assessment for anxiety nursing interventions for anxiety anxiety nclex questions pathophysiology of anxiety

nursing diagnosis care plan and intervention for depression - Apr 08 2023

web may 2 2022 jump to sections signs and symptoms of depression how to create a nursing care plan for depression nursing interventions for depression depression is a common mood disorder affecting people worldwide

*generalized anxiety disorder nursing statpearls ncbi bookshelf* - Jan 05 2023

web oct 17 2022 generalized anxiety disorder is one of the most common mental disorders up to 20 of adults are affected by anxiety disorders each year generalized anxiety disorder produces fear worry and a constant feeling of being overwhelmed

generalized anxiety disorder is characterized by persistent excessive and unrealistic worry about

**nursing care plan for depression and anxiety made for medical** - Dec 04 2022

web mar 4 2019 learning outcomes in nursing care plan for depression and anxiety in a nursing care plan for depression

and anxiety we ll learn the following things types of anxiety disorders nursing panic disorder slow breathing exercises

nursing obsessive compulsive disorder signs and symptoms three types of signs and symptoms are

*anxiety nursing statpearls ncbi bookshelf* - Jul 31 2022

web apr 24 2023 when a person has chronic anxiety the condition can be very debilitating and hence it is best managed by a

multidisciplinary team consisting of a mental health nurse psychiatrist psychotherapist social worker and a primary care

provider the outlook for patients with anxiety is guarded

**major depression nursing care management nurseslabs** - May 09 2023

web aug 9 2023 major depression nursing care management home notes psychiatric nursing major depression major

depression updated on august 9 2023 by iris dawn tabangcora rn

**major depression nursing care plans nurseslabs** - Sep 13 2023

web oct 13 2023 use this nursing care plan and management guide to help care for patients with major depressive disorders

learn about the nursing assessment nursing interventions goals and nursing diagnosis for major depression in this guide

**anxiety nursing diagnosis care plan nursestudy net** - Sep 01 2022

web jun 23 2023 anxiety nursing diagnosis care plan by anna curran rn bsn phn an anxiety disorder is a mental health

condition characterized by excessive and persistent feelings of fear worry and apprehension it is more than just feeling

anxious or stressed in certain situations

*depression nursing statpearls ncbi bookshelf* - Jul 11 2023

web jul 17 2023 review the nursing care of the depressed person including interventions health teaching and promotion and

discharge planning go to introduction depression is a mood disorder that causes a persistent feeling of sadness and loss of

interest

**anxiety nursing diagnosis care plan 2023 update nurseslabs** - Oct 14 2023

web oct 13 2023 nurses play an important role in caring for patients with anxiety by developing individualized nursing care

plans that include symptom assessment emotional support relaxation techniques coping education and promoting overall well

being

patient education depression in adults beyond the basics - Apr 27 2022

web jul 25 2022 depression overview clinical depression is a medical condition that goes beyond everyday sadness it can

cause profound long lasting symptoms and often interferes with one s usual daily activities a person s vulnerability to

developing this disorder is often related to many factors including changes in brain function genetics coping

**nursing care plan for anxiety and depression** - Mar 27 2022

web common goals of the care plan include reduction in symptoms and intensity of anxiety and depression improving quality of life and resuming meaningful activities developing positive coping strategies and problem solving skills helping the patient strengthen their social support system interventions

*anxiety nursing diagnosis care plans nursetogether* - Nov 03 2022

web nov 14 2021 nursing care plans references types of anxiety disorders anxiety disorder related to a specific medical diagnosis generalized anxiety panic disorders separation anxiety disorder social anxiety disorder various phobias prevention patient centered care for patients with depression or anxiety - Jun 29 2022

web aug 10 2021 objective we aimed to identify and synthesize the indicators for the care process of the person with depression and or anxiety disorders based on patient centered care going through the stages of diagnostic assessment care planning and intervention 1 2 review questions

**major depression nursing diagnosis care plan nursetogether** - Oct 02 2022

web mar 20 2022 1 assess barriers to self care depression itself is a barrier but the nurse can delve further into the causes of the patient s poor self care the patient may lack the energy time assistance or may feel the tasks are

*melissa moore fitzpatrick colin fitzpatrick divorce pdf* - Dec 07 2022

web apr 15 2023 melissa moore fitzpatrick colin fitzpatrick divorce 1 12 downloaded from uniport edu ng on april 15 2023 by guest melissa moore fitzpatrick colin fitzpatrick divorce thank you for downloading melissa moore fitzpatrick colin fitzpatrick divorce maybe you have knowledge that people have search hundreds times for their

**melissa moore fitzpatrick colin fitzpatrick divorce illinois court** - Mar 10 2023

web of this melissa moore fitzpatrick colin fitzpatrick divorce by online you might not require more become old to spend to go to the books start as skillfully as search for them in some cases you likewise pull off not discover the statement melissa moore fitzpatrick colin fitzpatrick divorce that you are looking for it will entirely squander

**melissa moore fitzpatrick colin fitzpatrick divorce stephen j** - Sep 04 2022

web melissa moore fitzpatrick colin fitzpatrick divorce melissa moore fitzpatrick colin fitzpatrick divorce 2 downloaded from bespoke cityam com on 2023 05 13 by guest investigation provide answers to questions that caught the attention of the entire american public since the first evidence of russian interference in

**hindi nangaliwa si moira jason marvin hernandez denies** - Feb 26 2022

web apr 17 2022 manila philippines jason marvin hernandez set the record straight confirming that he and his wife singer moira dela torre are still married amid speculations that they had parted ways in

**melissa moore fitzpatrick colin fitzpatrick divorce uniport edu** - Jun 01 2022

web may 26 2023 this melissa moore fitzpatrick colin fitzpatrick divorce as one of the most working sellers here will extremely be among the best options to review the ampleforth journal 1973

*melissa and colin fitzpatrick divorce pdf etherpad arts ac* - Apr 11 2023

web melissa moore and colin fitzpatrick divorce melissa archives living proof ministries blog living two divorce cases summer white and melissa moore the

melissa moore fitzpatrick colin fitzpatrick divorce pdf - Jul 02 2022

web oct 27 2022 have look numerous times for their favorite readings like this melissa moore fitzpatrick colin fitzpatrick divorce but end up in malicious downloads rather than enjoying a good book with a cup of tea in the afternoon instead they cope with some malicious virus inside their laptop melissa moore fitzpatrick colin fitzpatrick divorce

**divorces colin m moore kin of elizabeth patterson** - Apr 30 2022

web divorced

**flip or flop star tarek el moussa files for divorce from wife** - Jan 28 2022

web jan 10 2017 hgtv star tarek el moussa filed for divorce from his wife and flip or flop co star christina on tuesday the pair ended their seven year marriage just two weeks before the premiere of the

melissa moore fitzpatrick colin fitzpatrick divorce pdf - Oct 05 2022

web jul 1 2023 melissa moore fitzpatrick colin fitzpatrick divorce 1 10 downloaded from uniport edu ng on july 1 2023 by guest melissa moore fitzpatrick colin fitzpatrick divorce as recognized adventure as with ease as experience virtually lesson amusement as competently as concord can be gotten by just checking out a books melissa moore

**melissa moore and colin fitzpatrick divorce secure4 khronos** - Nov 06 2022

web jun 13 2023 this melissa moore and colin fitzpatrick divorce as one of the bulk running sellers here will entirely be accompanied by by the best selections to review simply stated the melissa moore and colin fitzpatrick divorce is internationally secure4 khronos org 1 5

**melissa moore fitzpatrick colin fitzpatrick divorce book** - Aug 15 2023

web melissa moore fitzpatrick colin fitzpatrick divorce vanished mar 22 2020 can a small town sheriff find his missing daughter before it s too late don t miss this exciting romantic suspense from usa today bestselling author margaret daley as a detective in chicago j t logan put away a lot of criminals and made a lot of enemies

*melissa moore fitzpatrick colin fitzpatrick divorce pdf* - Jan 08 2023

web fitzpatrick colin fitzpatrick divorce as one of the most practicing sellers here will very be accompanied by the best options to review a history of the faculty of arts at the university of adelaide 1876 2012 nick

*melissa moore fitzpatrick colin fitzpatrick divorce* - Aug 03 2022

web you could buy lead melissa moore fitzpatrick colin fitzpatrick divorce or acquire it as soon as feasible you could speedily download this melissa moore fitzpatrick colin fitzpatrick divorce after getting

[harrison ford s ex wife died bitter but rich national enquirer](#) - Mar 30 2022

web nov 29 2015 harrison ford s ex wife melissa mathison pictured went to her grave still bitter over the way he betrayed her with other women the screenwriter of the hit movies the black stallion and e t the extra terrestrial melissa 65 passed away in l a nov 4 after battling neuroendocrine cancer for years she was harrison s second

**two divorce cases summer white and melissa moore the end** - Jul 14 2023

web oct 29 2016 growing up in the sexual revolution 1960s and swinging 70s monogamous marriage as an ordination from god suffered terribly as new sexual mores came into the american culture no fault divorce came about and as a result throughout the 1970s divorce rapidly began losing its stigma

**melissa moore fitzpatrick colin fitzpatrick divorce book** - Dec 27 2021

web fast divorce went to nevada to live on a ranch with other women in the same boat sofia grant entices us into following three women seeking the reno cure as they overcome their disillusionment over the lives they expected to have and summon the bravery to embrace new and unexpected paths marie benedict new york times bestselling

**melissa moore fitzpatrick colin fitzpatrick divorce** - Feb 09 2023

web may 24 2023 melissa moore fitzpatrick colin fitzpatrick divorce he was a physician an eminent specialist she was the model suburban mother pitching in at her children s camarillo school and pouring herself into activities at church selma blair born selma blair beitner june 23 1972 is an american film television and theater actress blair started her

*beth moore s daughter says to boycott seminaries without female professors* - May 12 2023

web jan 23 2018 one need look no further than moore s daughter melissa moore melissa moore was previously known as melissa fitzpatrick she is divorced which melissa initiated because of a personality conflict according to divorce documents nonetheless melissa continues to write and contribute to her mother s publications and help s produce

**melissa g moore fitzpatrick 1982 ancientfaces** - Jun 13 2023

web jun 20 2015 about this biography updated june 20 2015 biography id 96224604 melissa g fitzpatrick born 1982 last known residence texas born c 1982 summary melissa g fitzpatrick of texas was born c 1982 melissa fitzpatrick was married to colin d fitzpatrick on february 16 2008 in harris county texas

**orcs gobelins 07 braagam amazon sg books** - Oct 23 2023

web hello sign in account lists returns orders cart

**orcs gobelins 07 braagam discover designlights org** - Jun 07 2022

web orcs gobelins 07 braagam 1 omb no orcs gobelins 07 braagam place aux orcs gobelins préco participative pour l avenir du jeu de rôle dans les terres d arran

*orcsgobelins07braagam help environment harvard edu* - Mar 04 2022

web guest mata simone goblin or orc shaman world of warcraft forums nov 14 2021 you ll lose your goblin if you zoom out all the way the correct answer is z troll but the other correct

*orcs gobelins 07 braagam by stéphane créty open library* - Sep 22 2023

web aug 21 2019 orcs gobelins 07 braagam by stéphane créty nicolas jarry Élodie jacquemoire aug 21 2019 soleil edition paperback

**orcs goblins vol 7 bragaam amazon com** - May 18 2023

web nov 13 2019 4 8 7 ratings part of orcs goblins see all formats and editions kindle 4 99 read with our free app braagam is an old orc sour and tired from his glorious

**orcs goblins 07 braagam 2019 soleil digital empire cbr** - Oct 11 2022

web orcs goblins 07 braagam 2019 soleil digital empire cbr torrent download infohash 04cbdb7d5851d8c75a4598b22cf1d0901b64c1d0 full movies via streaming link

**orcs et gobelins 7 braagam issue comic vine** - Jan 14 2023

web new comics forums gen discussion bug reporting delete combine pages

**orcs orcs orcs board game boardgamegeek** - Feb 03 2022

web orcs orcs orcs is a game for two to four players that combines two excellent game mechanics that have not been paired before deck building and tower defense and has

**editions of orcs gobelins t07 braagam by nicolas jarry** - Jun 19 2023

web editions for orcs gobelins t07 braagam kindle edition published in 2019 kindle edition 2302077709 paperback published in 2019 3962194495 h

**gcd issue orcs gobelins 7 braagam grand comics** - Apr 17 2023

web in orks goblins daedalus braagam 2020 in orks goblins daedalus 2018 series 7 braagam 2020 7 braagam 2020 edit cover cover gallery editing

*orcs gobelins 07 braagam cyberlab sutd edu sg* - Dec 13 2022

web orcs gobelins 07 braagam the city that speaks to the sky aug 20 2020 follow the journey of the amnesic ronin raido in a medieval japan where spirits still exert their

**orcs et gobelins t07 braagam amazon com au books** - Feb 15 2023

web select the department you want to search in

*orcs gobelins 07 braagam textra com tw* - Sep 10 2022

web orcs gobelins 07 braagam 1 orcs gobelins 07 braagam arale arale braagam b p r d 1946 1948 cavalry outpost duties hang up on the hang low chasing wishes

**orcs gobelins tome 7 braagam softarchive** - Mar 16 2023

web download orcs gobelins tome 7 braagam or any other file from books category http download also available at fast speeds

**orcs goblins 7 braagam download comics for free** - Aug 21 2023

web feb 26 2020 orcs goblins 7 braagam add favorites 26 02 2020 00 12 449 publisher other year 2019 pictures 78 language english size 132 8 mb tags orcs

download free orcs gobelins 07 braagam - Nov 12 2022

web the magic leaks away from the land stryke and his warband of orcs are on the run from everyone from the orcs that jennasta has sent after them and from the humans who will

**orcs vs goblins history differences culture fiction horizon** - Dec 01 2021

web jul 18 2022 the term goblin was used primarily in the hobbit but also in the lord of the rings where it is used synonymously with orc goblin is an english word whereas

**orcs goblins 7 bragaam issue comic vine** - Jul 20 2023

web braagam is an old orc sour and tired from his glorious past as a mercenary he only has his moniker executioner and a promise made to a dying friend on the battlefield

orcs gobelins 07 braagam by nicolas jarry - Aug 09 2022

web april 29th 2020 orcs et gobelins tome 7 orcs amp gobelins 07 braagam nicolas jarry stéphane créty elodie jacquemoire soleil des milliers de livres avec la livraison chez

orcs definition meaning merriam webster - Jan 02 2022

web the meaning of orcs is plural of orc love words you must there are over 200 000 words in our free online dictionary but you are looking for one that s only in the merriam

*orcsgobelins07braagam pdf srv pincanna* - May 06 2022

web orcsgobelins07braagam 1 orcsgobelins07braagam orcsgobelins07braagam downloaded from srv pincanna com by guest richard axel

**orcs gobelins 07 braagam theletdowns com** - Jul 08 2022

web virtually what you habit currently this orcs gobelins 07 braagam as one of the most vigorous sellers here will totally be in the midst of the best options to review courtney

orcs gobelins 07 braagam implantes odontocompany com - Apr 05 2022

web 4 orcs gobelins 07 braagam 2023 06 01 anciens compagnons d armes braagam cherche à se convaincre qu il ne reste rien du mercenaire respecté et impitoyable qu il a