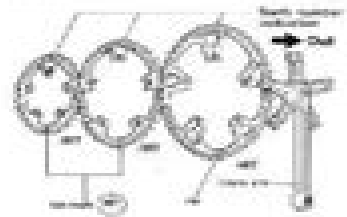


CASE III

Make sure it is within the MFD mark (1) and MFD mark (2).




1. Turn the engine on the heater temperature control dial to maximum heat, then turn off the ignition for 10s. Make sure the engine coolant is filled up and 70°C (158°F).

2. Remove the radiator cap.

3. Remove the upper or lower hose (refer to page 8 for details).

4. Loosen the drain plug (A), and drain the coolant.



5. Install a rubber hose (B) on the drain.

1. Turn the engine on the heater temperature control dial to maximum heat, then turn off the ignition for 10s. Make sure the engine coolant is filled up and 70°C (158°F).

2. Remove the radiator cap.


3. Remove the upper or lower hose (refer to page 8 for details).

4. Loosen the drain plug (A), and drain the coolant.

5. Install a rubber hose (B) on the drain.

CASE III

Make sure it is within the MFD mark (1) and MFD mark (2).



1. Turn the engine on the heater temperature control dial to maximum heat, then turn off the ignition for 10s. Make sure the engine coolant is filled up and 70°C (158°F).

2. Remove the radiator cap.

3. Remove the upper or lower hose (refer to page 8 for details).

4. Loosen the drain plug (A), and drain the coolant.

5. Install a rubber hose (B) on the drain.

CASE III

Make sure it is within the MFD mark (1) and MFD mark (2).



1. Turn the engine on the heater temperature control dial to maximum heat, then turn off the ignition for 10s. Make sure the engine coolant is filled up and 70°C (158°F).

2. Remove the radiator cap.

3. Remove the upper or lower hose (refer to page 8 for details).

4. Loosen the drain plug (A), and drain the coolant.

5. Install a rubber hose (B) on the drain.

CASE III

Make sure it is within the MFD mark (1) and MFD mark (2).



1. Turn the engine on the heater temperature control dial to maximum heat, then turn off the ignition for 10s. Make sure the engine coolant is filled up and 70°C (158°F).

2. Remove the radiator cap.

3. Remove the upper or lower hose (refer to page 8 for details).

4. Loosen the drain plug (A), and drain the coolant.

5. Install a rubber hose (B) on the drain.

Case 821 Wheel Loader Parts Catalog Manual

Richard Bailey



Case 821 Wheel Loader Parts Catalog Manual:

Monthly Catalog of United States Government Publications ,1991 Monthly Catalogue, United States Public Documents ,1991 **Field Manuals** United States. War Department,1947 *List and Index of Department of the Army Publications* United States. Department of the Army,1948 **Thomas Register of American Manufacturers and Thomas Register Catalog File** ,2002 Vols for 1970 71 includes manufacturers catalogs **The Country Gentleman** ,1907 *Wallaces Farmer* ,1977 Beverage Industry ,1982 Prairie Farmer ,1984 *Model Railroad Craftsman* ,1986 **Farmers and Consumers Market Bulletin** ,2010 **Union Agriculturist and Western Prairie Farmer** ,1988 Suffolk County Farm and Home Bureau News ,1989 *Public Works* ,1978 **Thomas Register of American Manufacturers** ,2002 This basic source for identification of U S manufacturers is arranged by product in a large multi volume set Includes Products services Company profiles and Catalog file *The Commercial Motor* ,1979 **Rural Living** ,1978-11 Thomas Register ,2004 **The Gannetteer** ,1963 **Instructions and Parts Catalog** H.C. Evans and Co,1941

Embark on a transformative journey with Explore the World with is captivating work, Grab Your Copy of **Case 821 Wheel Loader Parts Catalog Manual** . This enlightening ebook, available for download in a convenient PDF format , invites you to explore a world of boundless knowledge. Unleash your intellectual curiosity and discover the power of words as you dive into this riveting creation. Download now and elevate your reading experience to new heights .

https://new.webyeshiva.org/About/publication/Documents/Year_5_Maths_Test_Papers_Printable.pdf

Table of Contents Case 821 Wheel Loader Parts Catalog Manual

1. Understanding the eBook Case 821 Wheel Loader Parts Catalog Manual
 - The Rise of Digital Reading Case 821 Wheel Loader Parts Catalog Manual
 - Advantages of eBooks Over Traditional Books
2. Identifying Case 821 Wheel Loader Parts Catalog Manual
 - Exploring Different Genres
 - Considering Fiction vs. Non-Fiction
 - Determining Your Reading Goals
3. Choosing the Right eBook Platform
 - Popular eBook Platforms
 - Features to Look for in an Case 821 Wheel Loader Parts Catalog Manual
 - User-Friendly Interface
4. Exploring eBook Recommendations from Case 821 Wheel Loader Parts Catalog Manual
 - Personalized Recommendations
 - Case 821 Wheel Loader Parts Catalog Manual User Reviews and Ratings
 - Case 821 Wheel Loader Parts Catalog Manual and Bestseller Lists
5. Accessing Case 821 Wheel Loader Parts Catalog Manual Free and Paid eBooks
 - Case 821 Wheel Loader Parts Catalog Manual Public Domain eBooks
 - Case 821 Wheel Loader Parts Catalog Manual eBook Subscription Services
 - Case 821 Wheel Loader Parts Catalog Manual Budget-Friendly Options

6. Navigating Case 821 Wheel Loader Parts Catalog Manual eBook Formats
 - ePub, PDF, MOBI, and More
 - Case 821 Wheel Loader Parts Catalog Manual Compatibility with Devices
 - Case 821 Wheel Loader Parts Catalog Manual Enhanced eBook Features
7. Enhancing Your Reading Experience
 - Adjustable Fonts and Text Sizes of Case 821 Wheel Loader Parts Catalog Manual
 - Highlighting and Note-Taking Case 821 Wheel Loader Parts Catalog Manual
 - Interactive Elements Case 821 Wheel Loader Parts Catalog Manual
8. Staying Engaged with Case 821 Wheel Loader Parts Catalog Manual
 - Joining Online Reading Communities
 - Participating in Virtual Book Clubs
 - Following Authors and Publishers Case 821 Wheel Loader Parts Catalog Manual
9. Balancing eBooks and Physical Books Case 821 Wheel Loader Parts Catalog Manual
 - Benefits of a Digital Library
 - Creating a Diverse Reading Collection Case 821 Wheel Loader Parts Catalog Manual
10. Overcoming Reading Challenges
 - Dealing with Digital Eye Strain
 - Minimizing Distractions
 - Managing Screen Time
11. Cultivating a Reading Routine Case 821 Wheel Loader Parts Catalog Manual
 - Setting Reading Goals Case 821 Wheel Loader Parts Catalog Manual
 - Carving Out Dedicated Reading Time
12. Sourcing Reliable Information of Case 821 Wheel Loader Parts Catalog Manual
 - Fact-Checking eBook Content of Case 821 Wheel Loader Parts Catalog Manual
 - Distinguishing Credible Sources
13. Promoting Lifelong Learning
 - Utilizing eBooks for Skill Development
 - Exploring Educational eBooks
14. Embracing eBook Trends
 - Integration of Multimedia Elements

- Interactive and Gamified eBooks

Case 821 Wheel Loader Parts Catalog Manual Introduction

Case 821 Wheel Loader Parts Catalog Manual Offers over 60,000 free eBooks, including many classics that are in the public domain. Open Library: Provides access to over 1 million free eBooks, including classic literature and contemporary works. Case 821 Wheel Loader Parts Catalog Manual Offers a vast collection of books, some of which are available for free as PDF downloads, particularly older books in the public domain. Case 821 Wheel Loader Parts Catalog Manual : This website hosts a vast collection of scientific articles, books, and textbooks. While it operates in a legal gray area due to copyright issues, its a popular resource for finding various publications. Internet Archive for Case 821 Wheel Loader Parts Catalog Manual : Has an extensive collection of digital content, including books, articles, videos, and more. It has a massive library of free downloadable books. Free-eBooks Case 821 Wheel Loader Parts Catalog Manual Offers a diverse range of free eBooks across various genres. Case 821 Wheel Loader Parts Catalog Manual Focuses mainly on educational books, textbooks, and business books. It offers free PDF downloads for educational purposes. Case 821 Wheel Loader Parts Catalog Manual Provides a large selection of free eBooks in different genres, which are available for download in various formats, including PDF. Finding specific Case 821 Wheel Loader Parts Catalog Manual, especially related to Case 821 Wheel Loader Parts Catalog Manual, might be challenging as theyre often artistic creations rather than practical blueprints. However, you can explore the following steps to search for or create your own Online Searches: Look for websites, forums, or blogs dedicated to Case 821 Wheel Loader Parts Catalog Manual, Sometimes enthusiasts share their designs or concepts in PDF format. Books and Magazines Some Case 821 Wheel Loader Parts Catalog Manual books or magazines might include. Look for these in online stores or libraries. Remember that while Case 821 Wheel Loader Parts Catalog Manual, sharing copyrighted material without permission is not legal. Always ensure youre either creating your own or obtaining them from legitimate sources that allow sharing and downloading. Library Check if your local library offers eBook lending services. Many libraries have digital catalogs where you can borrow Case 821 Wheel Loader Parts Catalog Manual eBooks for free, including popular titles. Online Retailers: Websites like Amazon, Google Books, or Apple Books often sell eBooks. Sometimes, authors or publishers offer promotions or free periods for certain books. Authors Website Occasionally, authors provide excerpts or short stories for free on their websites. While this might not be the Case 821 Wheel Loader Parts Catalog Manual full book , it can give you a taste of the authors writing style. Subscription Services Platforms like Kindle Unlimited or Scribd offer subscription-based access to a wide range of Case 821 Wheel Loader Parts Catalog Manual eBooks, including some popular titles.

FAQs About Case 821 Wheel Loader Parts Catalog Manual Books

How do I know which eBook platform is the best for me? Finding the best eBook platform depends on your reading preferences and device compatibility. Research different platforms, read user reviews, and explore their features before making a choice. Are free eBooks of good quality? Yes, many reputable platforms offer high-quality free eBooks, including classics and public domain works. However, make sure to verify the source to ensure the eBook credibility. Can I read eBooks without an eReader? Absolutely! Most eBook platforms offer webbased readers or mobile apps that allow you to read eBooks on your computer, tablet, or smartphone. How do I avoid digital eye strain while reading eBooks? To prevent digital eye strain, take regular breaks, adjust the font size and background color, and ensure proper lighting while reading eBooks. What the advantage of interactive eBooks? Interactive eBooks incorporate multimedia elements, quizzes, and activities, enhancing the reader engagement and providing a more immersive learning experience. Case 821 Wheel Loader Parts Catalog Manual is one of the best book in our library for free trial. We provide copy of Case 821 Wheel Loader Parts Catalog Manual in digital format, so the resources that you find are reliable. There are also many Ebooks of related with Case 821 Wheel Loader Parts Catalog Manual. Where to download Case 821 Wheel Loader Parts Catalog Manual online for free? Are you looking for Case 821 Wheel Loader Parts Catalog Manual PDF? This is definitely going to save you time and cash in something you should think about. If you trying to find then search around for online. Without a doubt there are numerous these available and many of them have the freedom. However without doubt you receive whatever you purchase. An alternate way to get ideas is always to check another Case 821 Wheel Loader Parts Catalog Manual. This method for see exactly what may be included and adopt these ideas to your book. This site will almost certainly help you save time and effort, money and stress. If you are looking for free books then you really should consider finding to assist you try this. Several of Case 821 Wheel Loader Parts Catalog Manual are for sale to free while some are payable. If you arent sure if the books you would like to download works with for usage along with your computer, it is possible to download free trials. The free guides make it easy for someone to free access online library for download books to your device. You can get free download on free trial for lots of books categories. Our library is the biggest of these that have literally hundreds of thousands of different products categories represented. You will also see that there are specific sites catered to different product types or categories, brands or niches related with Case 821 Wheel Loader Parts Catalog Manual. So depending on what exactly you are searching, you will be able to choose e books to suit your own need. Need to access completely for Campbell Biology Seventh Edition book? Access Ebook without any digging. And by having access to our ebook online or by storing it on your computer, you have convenient answers with Case 821 Wheel Loader Parts Catalog Manual To get started finding Case 821 Wheel Loader Parts Catalog Manual, you are right to find our website which has a comprehensive collection of books online. Our library is the biggest of these that have literally hundreds of thousands of different products represented. You will also see that there are

specific sites catered to different categories or niches related with Case 821 Wheel Loader Parts Catalog Manual So depending on what exactly you are searching, you will be able to choose ebook to suit your own need. Thank you for reading Case 821 Wheel Loader Parts Catalog Manual. Maybe you have knowledge that, people have search numerous times for their favorite readings like this Case 821 Wheel Loader Parts Catalog Manual, but end up in harmful downloads. Rather than reading a good book with a cup of coffee in the afternoon, instead they juggled with some harmful bugs inside their laptop. Case 821 Wheel Loader Parts Catalog Manual is available in our book collection an online access to it is set as public so you can download it instantly. Our digital library spans in multiple locations, allowing you to get the most less latency time to download any of our books like this one. Merely said, Case 821 Wheel Loader Parts Catalog Manual is universally compatible with any devices to read.

Find Case 821 Wheel Loader Parts Catalog Manual :

~~year 5 maths test papers printable~~

fishermans valley. seasonal tips for coarse anglers

how to survive and thrive in college

peugeot 406 1997 repair service manual

ohio school bus training manual

distribution system protection guide

mig welder circuit diagram

peugeot 405 repair service manual instant

land use planning & development regulation law

mercruiser alpha i gen ii sterndrive service repair workshop manual 1991 2010

ballad of mulan homework packet

saturn service light on

~~2003 dodge caravan sport service manual~~

exposition of second timothy

yamaha cdr w16g cd players owners manual

Case 821 Wheel Loader Parts Catalog Manual :

bs 5499 1 2002 graphical symbols and signs safety signs - Sep 05 2022

web bs 5499 1 2002 graphical symbols and signs safety signs including fire safety signs specification for geometric shapes colours and layout withdrawn british standards institution publication index nbs

fire escape signs guidance on compliance university of - Oct 06 2022

web bs5499 standard the standard of fire escape signs within university premises varies greatly but much of it is out of date there is much duplication new signs put near old signs and the old signs left in place and some of the signs are confusing there are few locations where signs direct escapees from final exits to the assembly areas

bs 5499 10 2014 a1 2023 guidance for the selection and use of - May 13 2023

web mar 31 2023 this standard bs 5499 10 2014 a1 2023 guidance for the selection and use of safety signs and fire safety notices is classified in these ics categories 13 220 01 protection against fire in general 01 080 10 public information symbols

bsi bs 5499 10 guidance for the selection and use of safety - Jan 09 2023

web aug 31 2014 bs 5499 10 july 31 2006 safety signs including fire safety signs part 10 code of practice for the use of safety signs including fire safety signs a description is not available for this item

bs 5499 1 2002 graphical symbols and signs safety signs - May 01 2022

web bs 5499 1 2002 graphical symbols and signs safety signs including fire safety signs specification for geometric shapes colours and layout british standard

anderstore library standards bs 5499 - Jun 02 2022

web what is bs 5499 bs 5499 is the series of bsi s british standards that relate to signage and in particular to fire safety signage bs 5499 4 2000 safety signs including fire safety signs code of practice for escape route signing bs 5499 10 2006 safety signs including fire safety signs

[bs 5499 safety signs including fire safety signs](#) - Jul 15 2023

web mar 28 2011 bs 5499 covers all safety warning sign including fire safety signs and is compatible with the health and safety safety signs and signals regulations 1996 it is also compatible with the iso standards relevant to fire signs but in regards to ec safety signs directive 92 58 eec fire exit signs there is some confusion

download bs 5499 safety signs including fire safety signs - Jul 03 2022

web download bs 5499 safety signs including fire safety signs this document was uploaded by user and they confirmed that they have the permission to share it if you are

bülten sıra no 2022 5399 İtkib - Jan 29 2022

web jul 18 2022 kayıtlı İhracatçı sistemi rex hk 18 temmuz 2022 pazartesi sayın Üyemiz türkiye İhracatçılar meclisinden tım alınan bir yazıda t c ticaret bakanlığından alınan bir yazıya atıfla son dönemde uluslararası anlaşmalar ve avrupa birliği genel müdürlüğüne intikal eden çeşitli taleplerden türkiye birleşik

[sultan 5299 konut projesi ve fiyatları guncelprojebilgileri com](#) - Dec 28 2021

web asr yapı imzası taşıyan sultan 5299 projesi 16 katlı tek blokta 100 daireden meydana geliyor projede 1 1 ve 2 1 daire tipleri bulunuyor dairelerin alanları 45 ile 155 metrekare arasında farklılık gösteriyor her daire için kapalı otoparkı bulunan projede ortak alanlar güneş ve rüzgardan elde edilen enerji ile aydınlatılıyor

bs 5499 4 2013 safety signs code of practice for escape route - Dec 08 2022

web provides guidance on the selection and use of escape route signs conforming to bs en iso 7010 to be provided within buildings covers the use of all escape route signing systems within premises including the selection location mounting positions lighting and maintenance for the appropriate type of sign

bs 5499 10 2014 guidance for the selection and use of safety - Feb 10 2023

web abstract for the selection installation positioning and maintenance of safety signs excluding escape route signs includes fire safety notices covers system design documentation training and education audits servicing and

bs 5499 10 2006 safety signs including fire safety signs - Mar 31 2022

web sep 25 2017 bs 5499 10 2006 safety signs including fire safety signs september 25 2017 author pradeep nair category fire safety safety risk dangerous goods occupational safety and health report this link download pdf

[bsi standards publication ansi webstore](#) - Mar 11 2023

web the original suite of standards on safety signs in bs 5499 included bs 5499 1 bs 5499 5 bs 5499 6 and bs 5499 11 they were all crosslinked all have been superseded as follows bs 5499 1 is superseded by bs iso 3864 1 bs 5499 6 is superseded by bs iso 3864 3 bs 5499 5 is superseded by bs en iso 7010

[bs 5499 10 2014 sai global store](#) - Nov 07 2022

web aug 31 2014 gives guidance on how to select install position and maintain safety signs conforming to bs iso 3864 1 and bs en iso 7010 excluding escape route signs to present specific safety information scope show below hide below

2499 sayılı sermaye piyasası kanunu mülga lexpera - Feb 27 2022

web apr 29 1992 madde 32 değişik madde 29 04 1992 t 3794 s k m 22 bu kanuna göre faaliyette bulunabilecek sermaye piyasası kurumları aşağıda gösterilmiştir a aracı kurumlar b yatırım ortaklıkları c yatırım fonları d sermaye piyasasında faaliyet göstermesine izin verilen diğer kurumlar

[bs 5499 10 2014 a1 2023 guidance for the selection and](#) - Jun 14 2023

web aug 31 2014 bs 5499 10 2014 a1 2023 is maintained by ph 8 1 this standard is available from the following sources british standards shop shop british standards online bsol other historical versions of this standard document also exist bs 5499 10 2014 current until 31 03 2023

bs 5499 safety signs including fire safety signs bsi group - Aug 16 2023

web doi org 10 3403 bs5499 this is a multi part document divided into the following parts part 1 fire safety signs notices and graphic symbols specification for fire safety

sign selection everlux - Aug 04 2022

web the standard bs iso 3864 1 2011 that has superseded bs 5499 1 2002 specifies a system of geometric shapes and safety colours for use with the appropriate graphical symbols to produce safety signs

bs 5499 10 guidance for the selection and use of safety signs - Apr 12 2023

web aug 31 2014 the current release of this standard is bs 5499 10 2014 a1 2023 guidance for the selection and use of safety signs and fire safety notices doi org 10 3403 30459135 published 31 08 2014 this standard is available from the following sources british standards shop shop british standards online bsol

barbazo algo 2nde cahier d exercices ed 2019 - Feb 09 2023

web mar 30 2022 vous retrouverez avec votre cahier de mathématiques barbazo une nouvelle édition entièrement remaniée des points mémos et des exercices rapides pour

barbazo algo 2nde cahier d exercices ed 2019 amazon fr - Mar 10 2023

web may 9 2019 barbazo cahier d algo 2nde cahier d exercices Éric barbazo auteur principal livre format livre broché editeur hachette Éducation date de parution

barbazo algo 2nde cahier d exercices ed 2019 plassin - Oct 05 2022

web pour tester et demander votre offre gratuite mathématiques barbazo 2de édition numérique 2022 des Éditions hachette Éducation

barbazo algo 2nde cahier d exercices ed 2019 broché au - Aug 03 2022

web pour tester et demander votre offre gratuite version enseignant extrait barbazo cahier d algo 2de édition numérique 2022 des Éditions hachette Éducation

barbazo algo 2nde cahier d exercices edition 2019 fnac - Jun 13 2023

web may 9 2019 un large choix d exercices et de tp à faire en classe ou en salle informatique de nombreux exercices débranchés réalisables sans matériel un

barbazo algo 2nde cahier d exercices ed 2019 mathématiques - Jul 14 2023

web may 9 2019 barbazo algo 2nde cahier d exercices un large choix d exercices et de tp à faire en classe ou en salle informatiquede nombreux exercices débranchés

barbazo algo 2nde cahier d exercices ed 2019 hachette fr - May 12 2023

web barbazo algo 2nde cahier d exercices ed 2019 math math instruction for students with learning difficulties may 13 2022 this richly updated third edition of math instruction

extrait barbazo cahier d algo 2de mon espace e education - Apr 30 2022

web collections barbazo algo 2nde cahier d exercices ed 2019 math that we will certainly offer it is not a propos the costs its practically what you habit currently this barbazo

barbazo algo 2nde cahier d exercices ed 2019 mathématiques - Sep 04 2022

web barbazo algo cahier corrigés by nathan drmc de avec un mÉmento dÉtachable programme 2019 c o l l e c t i o n b a r b a z o cahier d algo

pdf barbazo algo 2nde cahier d exercices ed 2019 math - Apr 11 2023

web noté 5 retrouvez barbazo algo 2nde cahier d exercices ed 2019 et des millions de livres en stock sur amazon fr achetez neuf ou d occasion

barbazo algo 2nde cahier d exercices ed 2019 - Aug 15 2023

web barbazo 2nde livre élève ed 2019 livre barbazo algo 1ère cahier d exercices ed 2019 barbazo algo 2nde cahier d exercices ed 2019 livre mathématiques barbazo 1re es l

barbazo algo 2nde cahier d exercices ed 2019 math 2023 - Dec 27 2021

web jul 5 2019 mathématiques barbazo cahier numérique enseignant barbazo algo 2nde ed 2019 présentation les offres extraits site collection ressources à

mathématiques barbazo hachette Éducation enseignants - Oct 25 2021

cahier numérique enseignant barbazo algo 2nde ed 2019 - Sep 23 2021

mathématiques barbazo 2de mon espace e education - Jul 02 2022

web mar 30 2022 vous retrouverez avec votre cahier de mathématiques barbazo une nouvelle édition entièrement remaniée des points mémos et des exercices rapides

barbazo cahier d algo 2nde edition 2022 broché fnac - Mar 30 2022

web barbazo algo 2nde cahier d exercices ed 2019 math pdf latitudes 1 cahier d exercices academia edu dec 24 2021 web latitudes 1 cahier d exercices cahier d exercices

barbazo cahier d algo 2nde cahier d exercices gibert - Jan 08 2023

web may 9 2019 barbazo algo 2nde cahier d exercices ed 2019 plassin fanny teulié nathalie barbazo eric 9782017866039 amazon com books books science math

mathématiques barbazo 2nde livre Élève ed 2019 - Nov 25 2021

[calaméo barbazo algo cahier corrigés](#) - Jun 01 2022

web exercices ed 2019 barbazo algo 2nde cahier d exercices ed 2019 10 eric barbazo tous les produits fnac cahier d algo 2nde algorithmique et programmation en télécharger

barbazo algo 2nde cahier d exercices ed 2019 math scott m - Jan 28 2022

web les cahiers d algo et de programmation barbazo la collection barbazo s agrandit avec son nouveau manuel mathématiques enseignement scientifique 1re avec des

algo 2nde cahier d exercices édition 2019 - Dec 07 2022

web mathématiques barbazo 2nde livre élève ed 2019 télécharger barbazo algo 2nde cahier d exercices ed cahier d algorithmique et de programmation indice maths

[barbazo algo 2nde cahier d exercices ed 2019 mathématiques](#) - Feb 26 2022

web may 9 2019 mathématiques barbazo 2nde livre Élève ed 2019 une mise en perspective historique en ouverture de chaque chapitre un vaste choix d exercices

mathématiques barbazo soutien lycée collection fnac - Nov 06 2022

web barbazo algo 2nde cahier d exercices ed 2019 broché achat en ligne au meilleur prix sur e leclerc retrait gratuit dans de 700 magasins

le mie vite in gioco ian sagar alessandro camagni - Jun 02 2023

web le mie vite in gioco o 3 rate da 4 43 senza interessi era il 1999 quando il diciassettenne ian sagar chiese a un suo amico di sheffield un paesino del profondo nord inglese cuore delle lotte dei minatori di fargli provare il motorino appena comprato

le mie vite in gioco 9788867832330 cultura - Apr 19 2022

web mezz ora dopo la vita di sagar prende una piega da cui non si può tornare indietro una caduta la rottura del midollo spinale la carrozzina da quel momento il mondo cambia bisogna adattarsi a una nuova realtà e imparare tutto da capo

[le mie vite in gioco 2023 cyberlab sutd edu sg](#) - Feb 15 2022

web il libro delle mie vite may 16 2023 nell arco di undici anni aleksandar hemon ha composto un autobiografia in quindici stazioni che hanno la lucidità del saggio la pienezza del romanzo di formazione e la tagliente intelligenza di una lingua che

ian sagar le mie vite in gioco add editore - Jul 03 2023

web feb 20 2019 le mie vite in gioco argomenti sport era il 1999 quando il diciassettenne ian sagar chiese a un suo amico di sheffield un paesino del profondo nord inglese cuore delle lotte dei minatori di fargli provare il motorino appena comprato

le mie vite in gioco ian sagar ebook mondadori store - May 01 2023

web mezz ora dopo la vita di sagar prende una piega da cui non si può tornare indietro una caduta la rottura del midollo spinale la carrozzina da quel momento il mondo cambia bisogna adattarsi a una nuova realtà e imparare tutto da capo

[le mie vite in gioco add editore](#) - May 21 2022

web le mie vite in gioco il libro del progetto era esaltante la gente si scontrava cadeva si sentiva il rumore del ferro delle dettagli del progetto dove possibile si organizzerà un incontro con la casa editrice per condividere i lavori e le contenuti extra
[mie vite gioco abebooks](#) - Oct 26 2022

web mie vite in gioco le by sagar ian and a great selection of related books art and collectibles available now at abebooks com

[le mie vite in gioco ian sagar e alessandro camagni add](#) - Jan 29 2023

web le mie vite in gioco era il 1999 quando il diciassettenne ian sagar chiese a un suo amico di sheffield un paesino del profondo nord inglese cuore delle lotte dei minatori di fargli provare il motorino appena comprato

ian sagar a sky sport24 le mie vite in gioco youtube - Sep 24 2022

web ian sagar presenta il suo libro le mie vite in gioco a pomeriggio sky sport4 con sara benci immagini di sky sport

[le mie vite in gioco by ian sagar goodreads](#) - Aug 04 2023

web read reviews from the world s largest community for readers È il 1999 quando ian sagar diciassettenne chiede a un suo amico di fargli provare il motorin

9788867832217 le mie vite in gioco sagar ian 8867832212 - Nov 26 2022

web le mie vite in gioco di sagar ian su abebooks it isbn 10 8867832212 isbn 13 9788867832217 add editore 2019 brossura

le mie vite in gioco ian sagar alessandro camagni libreria ibs - Sep 05 2023

web le mie vite in gioco è un libro di ian sagar alessandro camagni pubblicato da add editore nella collana sport acquista su ibs a 13 30

le mie vite in gioco amazon fr - Feb 27 2023

web le mie vite in gioco sagar ian camagni alessandro amazon fr livres passer au contenu principal fr bonjour entrez votre adresse toutes nos catégories sélectionnez la section dans laquelle vous souhaitez faire votre recherche rechercher amazon fr bonjour identifiez vous compte et listes retours et commandes panier toutes

[le mie vite in gioco 9788867832217 abebooks](#) - Dec 28 2022

web abebooks com le mie vite in gioco 9788867832217 and a great selection of similar new used and collectible books available now at great prices

le mie vite in gioco ian sagar alessandro camagni lafeltrinelli - Jun 21 2022

web le mie vite in gioco è un libro di ian sagar alessandro camagni pubblicato da add editore nella collana sport acquista su lafeltrinelli a 13 30 aggiungi l articolo in lista

[le mie vite in gioco by ian sagar ebook barnes noble](#) - Mar 31 2023

web feb 20 2019 È il 1999 quando ian sagar diciassettenne chiede a un suo amico di fargli provare il motorino appena comprato mezz ora dopo la vita di sagar

le mie vite in gioco libreria universitaria - Jul 23 2022

web era il 1999 quando il diciassettenne ian sagar chiese a un suo amico di sheffield un paesino del profondo nord inglese cuore delle lotte dei minatori di fargli provare il motorino appena comprato mezzora dopo la vita di sagar aveva preso una piega nuova e definitiva una caduta la rottura del midollo spinale la carrozzina

pdf le mie vite in gioco by ian sagar perlego - Aug 24 2022

web mezz ora dopo la vita di sagar prende una piega da cui non si può tornare indietro una caduta la rottura del midollo spinale la carrozzina da quel momento il mondo cambia bisogna adattarsi a una nuova realtà e imparare tutto da capo

[amazon it le mie vite in gioco sagar ian camagni](#) - Oct 06 2023

web era il 1999 quando il diciassettenne ian sagar chiese a un suo amico di sheffield un paesino del profondo nord inglese cuore delle lotte dei minatori di fargli provare il motorino appena comprato mezzora dopo la vita di sagar aveva preso una piega nuova e definitiva una caduta la rottura del midollo spinale la carrozzina

le mie vite in gioco la storia di come ian sagar è diventato un - Mar 19 2022

web nov 3 2023 tipografia medium default pubblicato da add editore il libro racconta la vita di questo pluricampione dalla sua adolescenza nella campagna inglese all incidente che lo ha reso paraplegico al percorso di rinascita e conquista di vette sportive ian sagar è