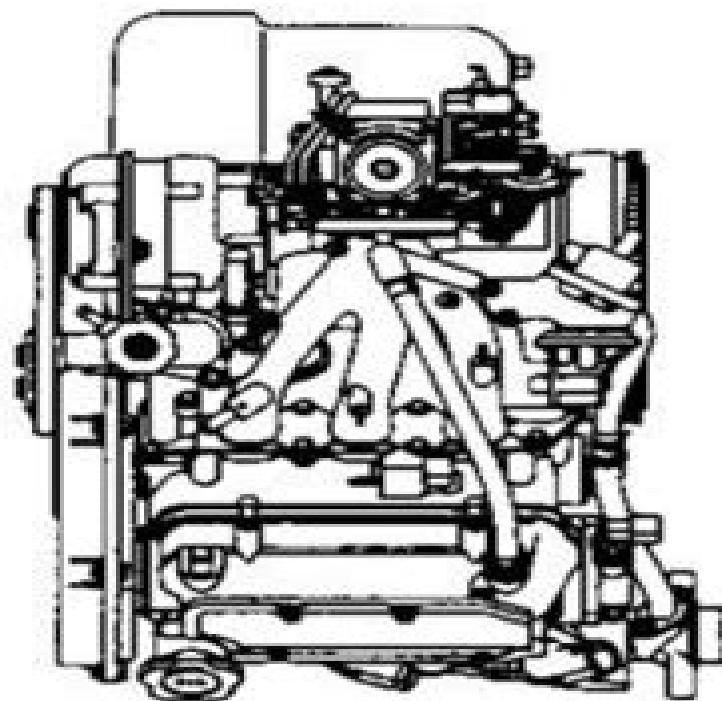

SUZUKI 660 F6A EFI & CARB 3-CYL ENGINE REBUILT



AUTO SERVICE MANUAL

Suzuki F6a Engine Repair Manual

Penton Staff



Suzuki F6a Engine Repair Manual:

Suzuki Jimny English Factory Parts Manual JA12, JA22W Series James Danko,2020-07-16 This is the complete Suzuki Jimny JA12 JA22W Series manual with the final F6A Engine Series as it transferred to the newer JA22W Series with the new and improved K6A Engine Over 480 Pages or detailed factory parts diagrams and part numbers to maintain and or upgrade your Suzuki Jimny to the later model parts in the JA22W series It is the full parts manual with labor hours listed for repair shops included All models in the series are included convertible and van bodies A must have manual for the Jimny JA12 JA22W owner Repair shops and Parts suppliers too a must have manual See our other Jimny Service manuals available for maintenance and repair Covers all JA12C JA12V JA12W and JA22W Models **Suzuki GSX-R and Katana GSX-F** John Haynes,1998-01-01 HY SUZ GSX R750 85 96 [Suzuki GSF600 & 1200 Bandit Fours Service & Repair Manual](#) Matthew Coombs,Phil Mather,2001 Inside this manual the reader will learn to do routine maintenance tune up procedures engine repair fuel and exhaust ignition brakes suspension and steering electrical systems and more **Suzuki SJ & Vitara 1982 to 1997 (up to P Registration) 4-cyl Petrol** Bob Henderson,A. K. Legg,1994-05-01 SJ410 SJ413 Vitara inc Santana Samurai special limited editions Petrol 1 0 litre 970cc 1 3 litre 1298 1324cc 1 6 litre 1590cc 4 cyl Does NOT cover V6 engines *Suzuki Volusia & Boulevard C50 from 2001-2017 Clymer Repair Manual* Clymer Publications,2018-05-01 Complete coverage for your Suzuki Volusia Boulevard C50 manufactured from 2001 2017 Routine maintenance and servicing Tune up procedures Engine clutch and transmission repair Cooling system Fuel and exhaust Ignition and electrical systems Brakes wheels and tires Steering suspension and final drive Frame and bodywork Wiring diagrams Reference Section With a Clymer manual you can do it yourself from simple maintenance to basic repairs Clymer writes every book based on a complete teardown of the motorcycle We learn the best ways to do a job and that makes it quicker easier and cheaper for you Our books have clear instructions and hundreds of photographs that show each step Whether you re a beginner or a pro you can save big with Clymer Step by step procedures Easy to follow photos Complete troubleshooting section Valuable short cuts Model history and pre ride checks in color Color spark plug diagnosis and wiring diagrams Tools and workshop tips section in color The specific models covered by this manual are Suzuki Volusia 2001 2004 Suzuki Boulevard C50 2005 2017 *Suzuki Service Manual* ,1973 *Suzuki Gsf600 and 1200 Bandit Fours* Matthew Coombs,Phil Mather,2002-06-20 This is one in a series of manuals for car or motorcycle owners Each book provides information on routine maintenance and servicing with tasks described and photographed in a step by step sequence so that even a novice can do the work *Suzuki SV650 and SV650S* Matthew Coombs,2002 This repair manual covers Suzuki SV650 and SV650S 1999 to 2005 *Suzuki GS500E Twin* Matthew Coombs,1997 Contains some history of Suzuki and this models development as well as a complete step by step guide to servicing and overhaul **Suzuki Volusia/Boulevard C50 (2001-2019) Clymer Repair Manual** Clymer Publications,2020-02-25 Complete coverage for your 2001 20019 Suzuki Volusia Boulevard C50 Routine maintenance

and servicing Tune up procedures Engine clutch and transmission repair Cooling system Fuel and exhaust Ignition and electrical systems Brakes wheels and tires Steering suspension and final drive Frame and bodywork Wiring diagrams Reference Section With a Clymer manual you can do it yourself from simple maintenance to basic repairs Clymer writes every book based on a complete teardown of the motorcycle We learn the best ways to do a job and that makes it quicker easier and cheaper for you Our books have clear instructions and hundreds of photographs that show each step Whether you re a beginner or a pro you can save big with Clymer Step by step procedures Easy to follow photos Complete troubleshooting section Valuable short cuts Model history and pre ride checks in color Color spark plug diagnosis and wiring diagrams Tools and workshop tips section in color **Suzuki GS-GSX 250, 400 and 450 Twins Owners Workshop Manual, M736** John Haynes,1988-03-31 Haynes disassembles every subject vehicle and documents every step with thorough instructions and clear photos Haynes repair manuals are used by the pros but written for the do it yourselfer Suzuki Samurai/Sidekick & Geo Tracker Automotive Repair Manual Bob Henderson,John Harold Haynes,1995 Haynes disassembles every subject vehicle and documents every step with through instructions and clear photos Haynes repair manuals are used by the pros but written for the do it yourselfer *Suzuki GSX-R600 & GSX-R750 from 2006-2016 Haynes Repair Manual* Haynes Publishing,2020-02-25 With a Haynes manual you can do it yourself from simple maintenance to basic repairs Haynes writes every book based on a complete teardown of the vehicle where we learn the best ways to do a job and that makes it quicker easier and cheaper for you Haynes books have clear instructions and hundreds of photographs that show each step Whether you are a beginner or a pro you can save big with a Haynes manual This manual features complete coverage for your Suzuki GSX R600 GSX R750 manufactured from 2006 2016 covering Routine maintenance Tune up procedures Engine repair Cooling and heating Air conditioning Fuel and exhaust Emissions control Ignition Brakes Suspension and steering Electrical systems and Wring diagrams **Suzuki GT, ZR & TS50** Jeremy Churchill,1984 **Suzuki GS & DR125, '82-'05** Haynes Publishing,2018-05-01 Each Haynes manual provides specific and detailed instructions for performing everything from basic maintenance and troubleshooting to a complete overhaul of the machine in this case the Suzuki GS troubleshooting lubrication and routine maintenance engine top end engine lower end primary drive clutch and external shift mechanism transmission and internal shift mechanism engine management system electrical system wheels tires and drivebelt front suspension and steering rear suspension brakes body and color wiring diagrams An index makes the manual easy to navigate Bedford/Suzuki Service and Repair Manual A. K. Legg,S. J. Drayton,2003 *Suzuki Intruder, Marauder, Volusia and Boulevard 85 to 09* Max Haynes,2010-04-15 Haynes manuals are written specifically for the do it yourselfer yet are complete enough to be used by professional mechanics Since 1960 Haynes has produced manuals written from hands on experience based on a vehicle teardown with hundreds of photos and illustrations making Haynes the world leader in automotive repair information **Suzuki: Service Manual** Suzuki Motor Corporation (Hamamatsu), Suzuki GSF600 Bandit 95-00 Penton

Staff,2000-05-24 GSF600 GSF600S **Suzuki 2-225 HP OB & Jt D85-91** Penton Staff,2000-05-24 DT 2 DT 4 DT 6 DT 8
DT 8 SAIL DT 9 9 DT 9 9 SAIL DT 15 DT 20 DT 25 DT 30 DT 35 DT 40 DT 55 DT 65 DT 75 DT 85 DT 90 DT 100 DT 100
SUPER FOUR DT 115 DT 140 DT 150 DT 150 SUPER SIX DT 175 DT 200 DT 200 EXANTE DT 225

Right here, we have countless ebook **Suzuki F6a Engine Repair Manual** and collections to check out. We additionally offer variant types and next type of the books to browse. The gratifying book, fiction, history, novel, scientific research, as well as various additional sorts of books are readily simple here.

As this Suzuki F6a Engine Repair Manual, it ends going on creature one of the favored ebook Suzuki F6a Engine Repair Manual collections that we have. This is why you remain in the best website to see the incredible books to have.

https://new.webyeshiva.org/public/browse/Download_PDFS/audi_automobile_1909_1940_unternehmen_marke.pdf

Table of Contents Suzuki F6a Engine Repair Manual

1. Understanding the eBook Suzuki F6a Engine Repair Manual
 - The Rise of Digital Reading Suzuki F6a Engine Repair Manual
 - Advantages of eBooks Over Traditional Books
2. Identifying Suzuki F6a Engine Repair Manual
 - Exploring Different Genres
 - Considering Fiction vs. Non-Fiction
 - Determining Your Reading Goals
3. Choosing the Right eBook Platform
 - Popular eBook Platforms
 - Features to Look for in an Suzuki F6a Engine Repair Manual
 - User-Friendly Interface
4. Exploring eBook Recommendations from Suzuki F6a Engine Repair Manual
 - Personalized Recommendations
 - Suzuki F6a Engine Repair Manual User Reviews and Ratings
 - Suzuki F6a Engine Repair Manual and Bestseller Lists
5. Accessing Suzuki F6a Engine Repair Manual Free and Paid eBooks
 - Suzuki F6a Engine Repair Manual Public Domain eBooks

- Suzuki F6a Engine Repair Manual eBook Subscription Services
- Suzuki F6a Engine Repair Manual Budget-Friendly Options
- 6. Navigating Suzuki F6a Engine Repair Manual eBook Formats
 - ePub, PDF, MOBI, and More
 - Suzuki F6a Engine Repair Manual Compatibility with Devices
 - Suzuki F6a Engine Repair Manual Enhanced eBook Features
- 7. Enhancing Your Reading Experience
 - Adjustable Fonts and Text Sizes of Suzuki F6a Engine Repair Manual
 - Highlighting and Note-Taking Suzuki F6a Engine Repair Manual
 - Interactive Elements Suzuki F6a Engine Repair Manual
- 8. Staying Engaged with Suzuki F6a Engine Repair Manual
 - Joining Online Reading Communities
 - Participating in Virtual Book Clubs
 - Following Authors and Publishers Suzuki F6a Engine Repair Manual
- 9. Balancing eBooks and Physical Books Suzuki F6a Engine Repair Manual
 - Benefits of a Digital Library
 - Creating a Diverse Reading Collection Suzuki F6a Engine Repair Manual
- 10. Overcoming Reading Challenges
 - Dealing with Digital Eye Strain
 - Minimizing Distractions
 - Managing Screen Time
- 11. Cultivating a Reading Routine Suzuki F6a Engine Repair Manual
 - Setting Reading Goals Suzuki F6a Engine Repair Manual
 - Carving Out Dedicated Reading Time
- 12. Sourcing Reliable Information of Suzuki F6a Engine Repair Manual
 - Fact-Checking eBook Content of Suzuki F6a Engine Repair Manual
 - Distinguishing Credible Sources
- 13. Promoting Lifelong Learning
 - Utilizing eBooks for Skill Development
 - Exploring Educational eBooks

14. Embracing eBook Trends

- Integration of Multimedia Elements
- Interactive and Gamified eBooks

Suzuki F6a Engine Repair Manual Introduction

Free PDF Books and Manuals for Download: Unlocking Knowledge at Your Fingertips In today's fast-paced digital age, obtaining valuable knowledge has become easier than ever. Thanks to the internet, a vast array of books and manuals are now available for free download in PDF format. Whether you are a student, professional, or simply an avid reader, this treasure trove of downloadable resources offers a wealth of information, conveniently accessible anytime, anywhere. The advent of online libraries and platforms dedicated to sharing knowledge has revolutionized the way we consume information. No longer confined to physical libraries or bookstores, readers can now access an extensive collection of digital books and manuals with just a few clicks. These resources, available in PDF, Microsoft Word, and PowerPoint formats, cater to a wide range of interests, including literature, technology, science, history, and much more. One notable platform where you can explore and download free Suzuki F6a Engine Repair Manual PDF books and manuals is the internet's largest free library. Hosted online, this catalog compiles a vast assortment of documents, making it a veritable goldmine of knowledge. With its easy-to-use website interface and customizable PDF generator, this platform offers a user-friendly experience, allowing individuals to effortlessly navigate and access the information they seek. The availability of free PDF books and manuals on this platform demonstrates its commitment to democratizing education and empowering individuals with the tools needed to succeed in their chosen fields. It allows anyone, regardless of their background or financial limitations, to expand their horizons and gain insights from experts in various disciplines. One of the most significant advantages of downloading PDF books and manuals lies in their portability. Unlike physical copies, digital books can be stored and carried on a single device, such as a tablet or smartphone, saving valuable space and weight. This convenience makes it possible for readers to have their entire library at their fingertips, whether they are commuting, traveling, or simply enjoying a lazy afternoon at home. Additionally, digital files are easily searchable, enabling readers to locate specific information within seconds. With a few keystrokes, users can search for keywords, topics, or phrases, making research and finding relevant information a breeze. This efficiency saves time and effort, streamlining the learning process and allowing individuals to focus on extracting the information they need. Furthermore, the availability of free PDF books and manuals fosters a culture of continuous learning. By removing financial barriers, more people can access educational resources and pursue lifelong learning, contributing to personal growth and professional development. This democratization of knowledge promotes intellectual curiosity and empowers individuals to become lifelong learners, promoting progress and innovation in various fields. It is worth noting that

while accessing free Suzuki F6a Engine Repair Manual PDF books and manuals is convenient and cost-effective, it is vital to respect copyright laws and intellectual property rights. Platforms offering free downloads often operate within legal boundaries, ensuring that the materials they provide are either in the public domain or authorized for distribution. By adhering to copyright laws, users can enjoy the benefits of free access to knowledge while supporting the authors and publishers who make these resources available. In conclusion, the availability of Suzuki F6a Engine Repair Manual free PDF books and manuals for download has revolutionized the way we access and consume knowledge. With just a few clicks, individuals can explore a vast collection of resources across different disciplines, all free of charge. This accessibility empowers individuals to become lifelong learners, contributing to personal growth, professional development, and the advancement of society as a whole. So why not unlock a world of knowledge today? Start exploring the vast sea of free PDF books and manuals waiting to be discovered right at your fingertips.

FAQs About Suzuki F6a Engine Repair Manual Books

What is a Suzuki F6a Engine Repair Manual PDF? A PDF (Portable Document Format) is a file format developed by Adobe that preserves the layout and formatting of a document, regardless of the software, hardware, or operating system used to view or print it. **How do I create a Suzuki F6a Engine Repair Manual PDF?** There are several ways to create a PDF: Use software like Adobe Acrobat, Microsoft Word, or Google Docs, which often have built-in PDF creation tools. Print to PDF: Many applications and operating systems have a "Print to PDF" option that allows you to save a document as a PDF file instead of printing it on paper. Online converters: There are various online tools that can convert different file types to PDF. **How do I edit a Suzuki F6a Engine Repair Manual PDF?** Editing a PDF can be done with software like Adobe Acrobat, which allows direct editing of text, images, and other elements within the PDF. Some free tools, like PDFescape or Smallpdf, also offer basic editing capabilities. **How do I convert a Suzuki F6a Engine Repair Manual PDF to another file format?** There are multiple ways to convert a PDF to another format: Use online converters like Smallpdf, Zamzar, or Adobe Acrobat's export feature to convert PDFs to formats like Word, Excel, JPEG, etc. Software like Adobe Acrobat, Microsoft Word, or other PDF editors may have options to export or save PDFs in different formats. **How do I password-protect a Suzuki F6a Engine Repair Manual PDF?** Most PDF editing software allows you to add password protection. In Adobe Acrobat, for instance, you can go to "File" -> "Properties" -> "Security" to set a password to restrict access or editing capabilities. Are there any free alternatives to Adobe Acrobat for working with PDFs? Yes, there are many free alternatives for working with PDFs, such as: LibreOffice: Offers PDF editing features. PDFsam: Allows splitting, merging, and editing PDFs. Foxit Reader: Provides basic PDF viewing and editing capabilities. How do I compress a PDF file? You can use online

tools like Smallpdf, ILovePDF, or desktop software like Adobe Acrobat to compress PDF files without significant quality loss. Compression reduces the file size, making it easier to share and download. Can I fill out forms in a PDF file? Yes, most PDF viewers/editors like Adobe Acrobat, Preview (on Mac), or various online tools allow you to fill out forms in PDF files by selecting text fields and entering information. Are there any restrictions when working with PDFs? Some PDFs might have restrictions set by their creator, such as password protection, editing restrictions, or print restrictions. Breaking these restrictions might require specific software or tools, which may or may not be legal depending on the circumstances and local laws.

Find Suzuki F6a Engine Repair Manual :

[audi automobile 1909 1940 unternehmen marke](#)

[audi a6 repair service manual](#)

[att palm centro user manual](#)

audi a4 reference guide

audi 100 1991 factory service repair manual

attitude punjabi funny status profile pic

au ford falcon repair manual

~~audi a6 manual gearbox problems~~

~~audi auto to manual conversion~~

~~attention and motor skill learning~~

audi a6 service manual torrent

[audi a6 2007 manual](#)

~~audi a4 s4 workshop service manual~~

[audi a6 c5 bentley repair manual](#)

audi a3 sportback workshop manual

Suzuki F6a Engine Repair Manual :

dragon ball tome 40 la fusion revue video dailymotion - Nov 28 2022

web oct 6 2020 to fight back goku transforms into his most powerful form yet but the world s only hope may lie in trunks and goten the world s youngest and most promising fighters using an alien fusion technique they attempt to merge together

to

dragon ball tome na 40 la fusion pdf api mobomo - Apr 21 2022

web dragon ball tome na 40 la fusion 1 omb no dragon ball tome na 40 la fusion i spent 3 days reading the entire dragon ball manga box set the taka cut dbza commentary ep 40 42 dragon ball characters in want mode dragonball z abridged episode 40 teamfourstar tfs what if goku was locked in the time chamber for

manga dragon ball tome 40 la fusion manga - Oct 28 2022

web jan 12 2000 manga dragon ball tome 40 la fusion retrouvez tous les produits dérivés liés à l univers dragon ball z dans les magasins micromania zing et ou sur le site internet tout est parti de cet homme akira toriyama un japonais talentueux puis tout a démarré à cette date 1984

dragon ball tome na 40 la fusion copy cybersmash - Jul 25 2022

web dragon ball tome na 40 la fusion 1 dragon ball tome na 40 la fusion this is likewise one of the factors by obtaining the soft documents of this dragon ball tome na 40 la fusion by online you might not require more time to spend to go to the book instigation as without difficulty as search for them in some cases you likewise

dragon ball tome na 40 la fusion pdf tpc redmatters - May 23 2022

web 4 dragon ball tome na 40 la fusion 2022 07 30 requiem dragonfire rain book 1 blood of dragons book 2 rage of dragons book 3 flight of dragons dragon ball vol 1 vizbig edition dragon ball z 24 granolah is the last of the cerealians a people who were all but wiped out by the saiyans and freeza s army many years ago when he

dragon ball tome n 40 la fusion toriyama akira amazon fr - Oct 08 2023

web noté 5 retrouvez dragon ball tome n 40 la fusion et des millions de livres en stock sur amazon fr achetez neuf ou d occasion

dragon ball tome na 40 la fusion pdf canvas edusynch - Jun 23 2022

web oct 28 2023 2 dragon ball tome na 40 la fusion 2023 03 01 dragon ball tome na 40 la fusion omb no 3213152897094 edited by cruz jesus life histories of north american birds wild fowl mcfarland son goku is a naive young monkey tailed boy whose quiet life is completely over turned when he is nearly run over by a

dragon ball tome n 40 la fusion  **amazon** - Jan 31 2023

web amazondragon ball tome n 40 la fusion                      dragon ball tome n 40 la fusion                             

la fusion tome 40 dragon ball sens français fnac - Aug 06 2023

web dragon ball la fusion tome 40 dragon ball sens français tome 40 4 5 6 avis occasion État très bon très bon 34 73 bon 36 correct 24 26 vendu et expédié par thome media 4 5 47 611 ventes

dragon ball édition française tome 40 la fusion - Apr 02 2023

web les dragon balls sont des boules de cristal magiques celui qui les réunit invoque un dragon qui réalisera ses voeux sangoku dendé végéta et tous les protagonistes de cette grande saga tentent de trouver les sept dragon balls qui une fois le voeu exaucé s'éparpillent à nouveau dans l'univers thèmes ajouter dragon ball manga shōnen

dragon ball tome na 40 la fusion copy mucho goldenpalace - Mar 21 2022

web 2 dragon ball tome na 40 la fusion 2022 01 02 vision looking both to the past and to the future of how gay liberation fits into the spirit directed evolution of human history and its role in the ongoing struggle for human liberation

dragon ball tome na 40 la fusion 2023 ead3 archivists - Aug 26 2022

web dragon ball tome na 40 la fusion 2023 ead3 archivists org subject dragon ball tome na 40 la fusion 2023 created date 10 31 2023 10 42 55 pm

dragon ball tome n 40 la fusion by akira toriyama darelava - Feb 17 2022

web may 19 2023 dragon ball tome n 40 la fusion by akira toriyama dragon ball tome n 40 la fusion by akira toriyama store locator starbucks fanbyte video game guides reviews and features torrents torrent sites and search pokdex pokemon ben 10 penalty power fate of the galaxy determined by a soccer ball cartoon network games

dragon ball tome 40 la fusion akira toriyama furet du nord - Dec 30 2022

web jan 12 2000 dragon ball tome 40 la fusion de plongez vous dans le livre akira toriyama au format ajoutez le à votre liste de souhaits ou abonnez vous à l'auteur akira toriyama livraison gratuite à 0 01 dès 35 d'achat furet du nord

dragon ball tome 40 la fusion by akira toriyama goodreads - May 03 2023

web dragon ball tome 40 la fusion by akira toriyama goodreads browse news interviews jump to ratings and reviews to discover what your friends think of this book read in 2022 4 stelle e mezzo read 61 reviews from the world's largest community for readers les dragon balls sont des boules de cristal magiques

dragon ball tome 40 la fusion bd et humour rakuten - Sep 07 2023

web jan 5 2023 dragon ball tome 40 la fusion pas cher retrouvez tous les produits disponibles à l'achat dans notre catégorie bd et humour

dragon ball tome 40 la fusion livre de akira toriyama - Jul 05 2023

web 32 commentaires et 2 extraits découvrez le livre dragon ball tome 40 la fusion lu par 699 membres de la communauté booknode

la fusion dragon ball tome 40 akira toriyama senscritique - Mar 01 2023

web la fusion dragon ball tome 40 est une bd de akira toriyama résumé les dragon balls sont des boules de cristal magiques celui qui les réunit invoque un dragon qui

dragon ball albums doubles 40 la fusion bedetheque - Jun 04 2023

web sep 9 2001 série dragon ball albums doubles titre la fusion tome 40 identifiant 6138 scénario toriyama akira

dragon ball tome 40 la fusion akira toriyama librairie eyrolles - Sep 26 2022

web jan 12 2000 sangoku dendé végéta et tous les protagonistes de cette grande saga tentent de trouver les sept dragon balls qui une fois les dragon balls sont des boules de cristal magiques celui qui les réunit invoque un dragon qui réalisera ses voeux

livesport basketball live scores results standings match - Aug 25 2022

web basketball livescore results standings nba euroleague login favorites top scores soccer tennis basketball hockey baseball cricket golf pinned leagues nba euroleague eurocup champions league my teams add the team countries albania argentina australia austria bahrain belarus belgium bolivia bosnia and herzegovina brazil bulgaria canada

nba on espn scores stats and highlights - Jan 30 2023

web daily lines more visit espn for nba live scores video highlights and latest news stream games on espn and play fantasy basketball

espn serving sports fans anytime anywhere - Mar 20 2022

web anywhere espn visit espn for live scores highlights and sports news stream exclusive games on espn and play fantasy sports

livescore basketball scores - May 02 2023

web show more explanations basketball livescore service on livescore in provides bettors and basketball fans with livescore real time score service for all major basketball leagues find the quarter of play current score results after quarters and

basketball live results schedule sofascore - Feb 28 2023

web nov 1 2023 basketball live score and schedule today november 2023 sun mon tue wed thu fri sat 1 2 3 4 5 6 7 8 9 10 11 12 13 14 15 16 17 18 19 20

nba scores 2023 24 season espn uk - Apr 20 2022

web live scores for every 2023 24 nba season game on espn uk includes box scores video highlights play breakdowns and updated odds

basketball livescore basketball results nba flashscore in - Sep 25 2022

web follow nba live scores results fixtures nba standings and team pages e g golden state warriors los angeles lakers basketball livescore on flashscore in offers all the latest basketball results from more than 500 basketball leagues all around the world including nba cba nbl euroleague wnba and more find all today s tonight s

nba scores 2023 24 season espn - Apr 01 2023

web oct 29 2003 live scores for every 2023 24 nba season game on espn includes box scores video highlights play breakdowns and updated odds

[basketbol canlı sonuçları programı sofascore](#) - Jul 04 2023

web nov 1 2023 kawhi leonard lakers vs clippers 38 3 lebron james lakers vs clippers 35 paul george lakers vs clippers chloe bibby azs gorzów vs piestanske sofascore canlı basketbol skorları nba euroleague acb fiba dünya Şampiyonası canlı skorları ve diğer basketbol liglerinden canlı sonuçlar

[basketball livescore basketball results flashscore com nba](#) - Oct 07 2023

web basketball livescore on flashscore com offers all the latest basketball results from more than 500 basketball leagues all around the world including nba euroleague cba acb kbl and more find all today s tonight s basketball scores on flashscore com

[the official site of the nba for the latest nba scores stats](#) - Oct 27 2022

web the official site of the national basketball association follow the action on nba scores schedules stats news team and player news

[livescore basketbol canlı basketbol sonuçları livescore in](#) - Aug 05 2023

web açıklamalar livescore basketbol canlı skor hizmeti bahisçilere ve basketbol tutkunlara gerçek zamanlı olarak büyük basketbol liglerinin canlı sonuçlarını iletir oyunun kalan dakikası o anki skoru periyodların sonuçları ve diğer canlı sonuç verilerini bulabilirsiniz

[canlı basketbol maç sonuçları canlı skorlar flashscore canlı skor](#) - Sep 06 2023

web flashscore com tr basketbol canlı skor sayfası 500 ün üzerinde ulusal ve uluslar arası etkinlikten basketbol canlı maç sonuçlarının yanı sıra puan durumları iddaa programı basketbol ilk yarı sonuçları ve maç sonuçlarını canlı olarak sunar

[basketball live scores results fixtures livescore](#) - Nov 27 2022

web basketball live scores latest basketball results fixtures and tables livescore com is the essential one stop destination for all the latest basketball scores and news from around the world whether you re after today s fixtures or live updates all the top leagues and competitions are covered in unbeatable detail

nba games all nba matchups nba com - Dec 29 2022

web watch nba games follow the game scores and stats for nba matchups

nba basketball scores today aiscore - Jun 03 2023

web aiscore offers scores service from more than 200 basketball competitions from around the world like ncaa aba league baltic league euroleague national basketball leagues you ll find here not only live scores quarter results final results and lineups but also number of 2 and 3 point attempts free throws shooting percentage rebounds

[basketball24 live basketball scores results standings](#) - Jul 24 2022

web basketball24 provides live basketball scores and other basketball information from around the world including european and american minor leagues asian and australian basketball leagues and other online basketball results visit basketball24 now

[nba official site scores national basketball association](#) - Jun 22 2022

web we use cookies to provide you with the best online experience if you continue browsing we consider that you accept our cookie policy and also agree to the terms of

[euroleague euroleague basketball](#) - Feb 16 2022

web the official site of euroleague basketball check out live matches stats standings teams players interviews fantasy challenge and much more

[basketball live score sofascore](#) - May 22 2022

web nov 4 2023 sofascore live basketball page provides you with live basketball results schedule and matches that are being played today with over 70 different basketball leagues among which are college basketball league ncaa men and ncaa women nba euroleague a1 serie a liga acb eurocup aba liga nbb and many other you

[pug error codes and explanation peugeot forums](#) - Feb 08 2023

web aug 20 2022 peugeot engine fault codes p11a8 failure or incorrect operation of the solenoid valve of the output shaft phase regulator to fix the problem you can try to

peugeot 307 407 607 806 807 406 306 106 107 fault codes list - Apr 29 2022

[nic tec autotester bilnøgler reparationservice](#) - Jul 01 2022

web these fault codes will not be used generally by a majority of the manufacturers the first digit might be also 2 or 3 in this case the type depends on the system b2xxx and c2xxx

[peugeot warning lights what they mean rac drive](#) - Oct 04 2022

web nic tec autotester bilnøgler reparationservice

[list of error codes peugeot forums](#) - Apr 10 2023

web apr 14 2021 308 t9 2 0 bluehdi 180 eat6 2017 108 1 0 active 2014 208 1 6 e hdi feline 2014 ds4 dsport 2 0 hdi 2012 suzuki rgv 250m 1989 money pit save like t

identifying fault codes peugeot 3008 2009 2017 haynes manuals - Mar 09 2023

web find your vehicle if a fault occurs some of the vehicle s systems will generate and store a fault code

[obdii diagnostics trouble codes description for peugeot](#) - Jun 12 2023

web these codes are from powertrain series p0xxx p2xxx p34xx body series b0xxx chassis series c0xxx network series u0xxx u2xxx u3xxx also there is a list

peugeot car fault codes dtc car pdf manual - Jul 13 2023

web peugeot car fault codes dtc list 107 1007 206 2006 207 306 307 308 3008 405 406 407 408 508 5008 605 607 boxer partner description of common

identifying fault codes peugeot 308 2007 2012 - Jan 07 2023

web peugeot s service warning light is one of the more versatile icons on your dashboard and turns on temporarily to highlight a minor fault in your car minor faults might include low

peugeot citroen factory error codes avtotachki - Sep 03 2022

web apr 16 2021 the table below is the list of manufacturer specific p codes available for peugeot citroen they have been collated over a period of time and from various

psa eobd p codes pikit - May 31 2022

web these fault codes will not be used generally by a majority of the manufacturers the first digit might be also 2 or 3 in this case the type depends on the system b2xxx and c2xxx

peugeot 3008 fault codes obd2 port location - Dec 06 2022

web error code error value peugeot citroen p1246 distributor smart pcm4 circuit intermittent peugeot citroen c1104 electrovanne hydractive av intermittent circuit

peugeot error codes engine problems engine finder motor - Nov 05 2022

web aug 5 2020 friends ecn map codes are available in the attached list it is enough to read the error codes without any device and program in opel vehicles and search the

auto trouble code lookup autotroublecode com - Feb 25 2022

opel fault codes list other brands peugeot forum - Aug 02 2022

web whether you re experiencing engine misfires transmission problems or any other type of malfunction our guide provides a comprehensive list of error codes specific to peugeot

peugeot fault codes 19 models faultcodes co - Aug 14 2023

web find out the most popular peugeot fault codes along with what they mean browse through 19 models of peugeot available on site now

auto trouble code lookup autotroublecode com - Mar 29 2022

peugeot obd obd2 codes troublecodes net - May 11 2023

web perform a test sequence up to a code 11 depress the switched jumper for more than 10 seconds the check engine indicator should be on and all fault codes should