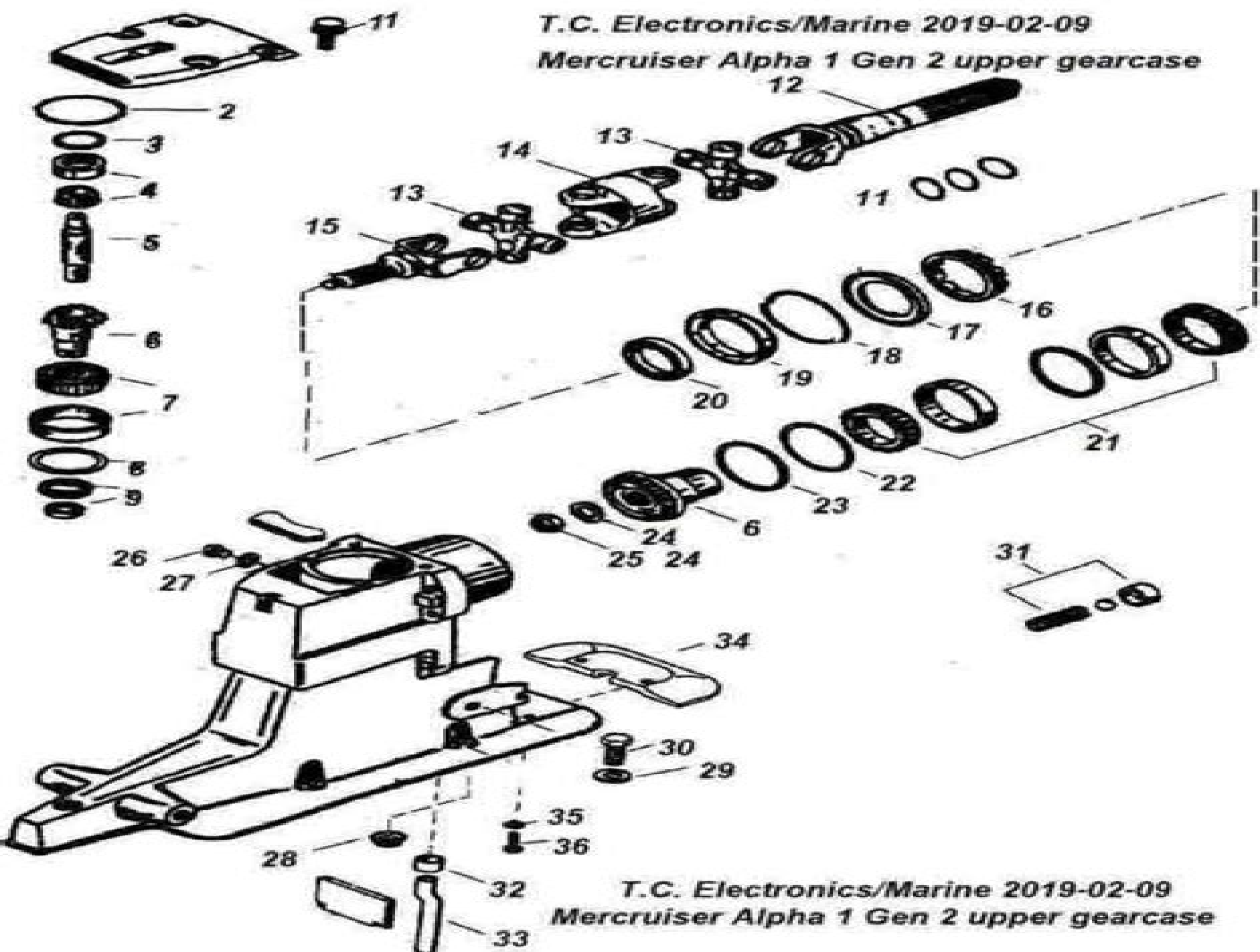


T.C. Electronics/Marine 2019-02-09

MerCruiser Alpha 1 Gen 2 upper gearcase



T.C. Electronics/Marine 2019-02-09  
MerCruiser Alpha 1 Gen 2 upper gearcase

# Mercury Alpha One Gen 1 Manual

**Editors of Clymer Manuals**



**MerCruiser Alpha One Gen 1 Manual:**

Subject Guide to Books in Print ,2001    **MotorBoating** ,1997-01    *Yachting* ,1973    **Subject Guide to Children's Books in Print 1997** Bowker Editorial Staff,R R Bowker Publishing,1996-09    *Boating* ,1995-01    Boating ,1995-01  
**Boating** ,1995-01    **Lakeland Boating** ,1999    **Boating** ,1995-07    **MerCruiser Stern Drive Shop Manual 1998-2004** Penton Staff,2000-05-24 MerCruiser Alpha One 1998 2004 MerCruiser Bravo One 1998 2004 MerCruiser Bravo Two 1998 2004 MerCruiser Bravo Three 1998 2004 Engines 1998 2004 3 0 L 1998 2004 4 3 L 1998 2004 5 0 L 1998 2004 5 7 L 1998 2004 350 Mag 1998 2004    **MerCruiser Stern Drive Shop Manual** Penton Staff,2000-05-24 3 0 L 4 3 L 5 0 L 5 7 L 7 4 L 8 2 L 350 Magnum 454 Magnum 502 Magnum    **MerCruiser Stern Drive Shop Manual** ,1989    **MerCruiser Stern Drive Shop Manual** Alan Ahlstrand,Randy Stephens,1989    **MerCruiser Stern Drive Shop Manual 1998-2013** Editors of Clymer Manuals,2015-08-15 Stern Drives MerCruiser Alpha One 1998 2013 MerCruiser Bravo One 1998 2013 MerCruiser Bravo Two 1998 2013 MerCruiser Bravo Three 1998 2013 Engines 1998 2013 3 0 L 1998 2013 4 3 L 1998 2013 5 0 L 1998 2013 5 7 L 1998 2013 350 Mag 1998 2013 MX 6 2 L 1998 2013 454 Mag 1998 2013 502 Mag 1998 2013 496 Mag 1998 2013 496 Mag HO 1998 2013 7 4 L MPI 1998 2013 TROUBLESHOOTING LUBRICATION MAINTENANCE AND TUNE UP ENGINE TOP END ENGINE LOWER END CLUTCH AND EXTERNAL SHIFT MECHANISM TRANSMISSION AND INTERNAL SHIFT MECHANISM FUEL EMISSION CONTROL AND EXHAUST SYSTEMS ELECTRICAL SYSTEM COOLING SYSTEM WHEELS TIRES AND DRIVE CHAIN FRONT SUSPENSION AND STEERING REAR SUSPENSION BRAKES BODY AND FRAME COLOR WIRING DIAGRAMS    *Clymer MerCruiser Stern Drive Shop Manual* ,1992    Clymer MerCruiser Stern Drive Shop Manual ,1993-01-01    **MerCruiser Stern Drive Shop Manual 1995-1997 AlphaOne, Bravo One, Bravo Two & Bravo Three** ,1997    *Clymer MerCruiser Stern Drive Shop Manual, 1998-2001* ,2001    **Seloc's MerCruiser Stern Drive Tune-up and Repair Manual** Joan Coles,Clarence W. Coles,1989    **The Motor Boat Manual** ... Motor Boat Manual,1914

Uncover the mysteries within Crafted by is enigmatic creation, **Mer cruiser Alpha One Gen 1 Manual** . This downloadable ebook, shrouded in suspense, is available in a PDF format ( Download in PDF: \*). Dive into a world of uncertainty and anticipation. Download now to unravel the secrets hidden within the pages.

[https://new.webyeshiva.org/public/Resources/default.aspx/boeing\\_777\\_technical\\_training\\_manual\\_for\\_mechanics.pdf](https://new.webyeshiva.org/public/Resources/default.aspx/boeing_777_technical_training_manual_for_mechanics.pdf)

## **Table of Contents Mer cruiser Alpha One Gen 1 Manual**

1. Understanding the eBook Mer cruiser Alpha One Gen 1 Manual
  - The Rise of Digital Reading Mer cruiser Alpha One Gen 1 Manual
  - Advantages of eBooks Over Traditional Books
2. Identifying Mer cruiser Alpha One Gen 1 Manual
  - Exploring Different Genres
  - Considering Fiction vs. Non-Fiction
  - Determining Your Reading Goals
3. Choosing the Right eBook Platform
  - Popular eBook Platforms
  - Features to Look for in an Mer cruiser Alpha One Gen 1 Manual
  - User-Friendly Interface
4. Exploring eBook Recommendations from Mer cruiser Alpha One Gen 1 Manual
  - Personalized Recommendations
  - Mer cruiser Alpha One Gen 1 Manual User Reviews and Ratings
  - Mer cruiser Alpha One Gen 1 Manual and Bestseller Lists
5. Accessing Mer cruiser Alpha One Gen 1 Manual Free and Paid eBooks
  - Mer cruiser Alpha One Gen 1 Manual Public Domain eBooks
  - Mer cruiser Alpha One Gen 1 Manual eBook Subscription Services
  - Mer cruiser Alpha One Gen 1 Manual Budget-Friendly Options
6. Navigating Mer cruiser Alpha One Gen 1 Manual eBook Formats

- ePub, PDF, MOBI, and More
  - Mercuriser Alpha One Gen 1 Manual Compatibility with Devices
  - Mercuriser Alpha One Gen 1 Manual Enhanced eBook Features
7. Enhancing Your Reading Experience
    - Adjustable Fonts and Text Sizes of Mercuriser Alpha One Gen 1 Manual
    - Highlighting and Note-Taking Mercuriser Alpha One Gen 1 Manual
    - Interactive Elements Mercuriser Alpha One Gen 1 Manual
  8. Staying Engaged with Mercuriser Alpha One Gen 1 Manual
    - Joining Online Reading Communities
    - Participating in Virtual Book Clubs
    - Following Authors and Publishers Mercuriser Alpha One Gen 1 Manual
  9. Balancing eBooks and Physical Books Mercuriser Alpha One Gen 1 Manual
    - Benefits of a Digital Library
    - Creating a Diverse Reading Collection Mercuriser Alpha One Gen 1 Manual
  10. Overcoming Reading Challenges
    - Dealing with Digital Eye Strain
    - Minimizing Distractions
    - Managing Screen Time
  11. Cultivating a Reading Routine Mercuriser Alpha One Gen 1 Manual
    - Setting Reading Goals Mercuriser Alpha One Gen 1 Manual
    - Carving Out Dedicated Reading Time
  12. Sourcing Reliable Information of Mercuriser Alpha One Gen 1 Manual
    - Fact-Checking eBook Content of Mercuriser Alpha One Gen 1 Manual
    - Distinguishing Credible Sources
  13. Promoting Lifelong Learning
    - Utilizing eBooks for Skill Development
    - Exploring Educational eBooks
  14. Embracing eBook Trends
    - Integration of Multimedia Elements
    - Interactive and Gamified eBooks

### Mercuriser Alpha One Gen 1 Manual Introduction

In the digital age, access to information has become easier than ever before. The ability to download Mercuriser Alpha One Gen 1 Manual has revolutionized the way we consume written content. Whether you are a student looking for course material, an avid reader searching for your next favorite book, or a professional seeking research papers, the option to download Mercuriser Alpha One Gen 1 Manual has opened up a world of possibilities. Downloading Mercuriser Alpha One Gen 1 Manual provides numerous advantages over physical copies of books and documents. Firstly, it is incredibly convenient. Gone are the days of carrying around heavy textbooks or bulky folders filled with papers. With the click of a button, you can gain immediate access to valuable resources on any device. This convenience allows for efficient studying, researching, and reading on the go. Moreover, the cost-effective nature of downloading Mercuriser Alpha One Gen 1 Manual has democratized knowledge. Traditional books and academic journals can be expensive, making it difficult for individuals with limited financial resources to access information. By offering free PDF downloads, publishers and authors are enabling a wider audience to benefit from their work. This inclusivity promotes equal opportunities for learning and personal growth. There are numerous websites and platforms where individuals can download Mercuriser Alpha One Gen 1 Manual. These websites range from academic databases offering research papers and journals to online libraries with an expansive collection of books from various genres. Many authors and publishers also upload their work to specific websites, granting readers access to their content without any charge. These platforms not only provide access to existing literature but also serve as an excellent platform for undiscovered authors to share their work with the world. However, it is essential to be cautious while downloading Mercuriser Alpha One Gen 1 Manual. Some websites may offer pirated or illegally obtained copies of copyrighted material. Engaging in such activities not only violates copyright laws but also undermines the efforts of authors, publishers, and researchers. To ensure ethical downloading, it is advisable to utilize reputable websites that prioritize the legal distribution of content. When downloading Mercuriser Alpha One Gen 1 Manual, users should also consider the potential security risks associated with online platforms. Malicious actors may exploit vulnerabilities in unprotected websites to distribute malware or steal personal information. To protect themselves, individuals should ensure their devices have reliable antivirus software installed and validate the legitimacy of the websites they are downloading from. In conclusion, the ability to download Mercuriser Alpha One Gen 1 Manual has transformed the way we access information. With the convenience, cost-effectiveness, and accessibility it offers, free PDF downloads have become a popular choice for students, researchers, and book lovers worldwide. However, it is crucial to engage in ethical downloading practices and prioritize personal security when utilizing online platforms. By doing so, individuals can make the most of the vast array of free PDF resources available and embark on a journey of continuous learning and intellectual growth.

### FAQs About Mercuriser Alpha One Gen 1 Manual Books

How do I know which eBook platform is the best for me? Finding the best eBook platform depends on your reading preferences and device compatibility. Research different platforms, read user reviews, and explore their features before making a choice. Are free eBooks of good quality? Yes, many reputable platforms offer high-quality free eBooks, including classics and public domain works. However, make sure to verify the source to ensure the eBook credibility. Can I read eBooks without an eReader? Absolutely! Most eBook platforms offer web-based readers or mobile apps that allow you to read eBooks on your computer, tablet, or smartphone. How do I avoid digital eye strain while reading eBooks? To prevent digital eye strain, take regular breaks, adjust the font size and background color, and ensure proper lighting while reading eBooks. What the advantage of interactive eBooks? Interactive eBooks incorporate multimedia elements, quizzes, and activities, enhancing the reader engagement and providing a more immersive learning experience. Mercuriser Alpha One Gen 1 Manual is one of the best book in our library for free trial. We provide copy of Mercuriser Alpha One Gen 1 Manual in digital format, so the resources that you find are reliable. There are also many Ebooks of related with Mercuriser Alpha One Gen 1 Manual. Where to download Mercuriser Alpha One Gen 1 Manual online for free? Are you looking for Mercuriser Alpha One Gen 1 Manual PDF? This is definitely going to save you time and cash in something you should think about.

### Find Mercuriser Alpha One Gen 1 Manual :

[boeing 777 technical training manual for mechanics](#)

**[6 hp evinrude outboard repair manual](#)**

**[case 831 tractor manual](#)**

**[00 02 zx6r rr service manual](#)**

[the taming of molly jenkins english edition](#)

[economics limpopo grade paper 2](#)

[naughty girl stories english edition](#)

[american odyssey alaskan genesis volume 1](#)

[peugeot 405 td manual](#)

[bmw airbag fault code](#)

[peugeot 405 service guide](#)

[a fair prospect dareys dilemma english edition](#)

**[fall from grace sex scandal and corruption in american politics 1702-1987](#)**

manual-da-impressora-brother-dep-j125  
1994 audi 100 throttle position sensor manual

**MerCruiser Alpha One Gen 1 Manual :**

**presentation of phd thesis for student expected to complete** - Jul 22 2021

web prof banu Örmeci appointed interim chair of the department of civil environmental engineering professor banu Örmeci has been appointed interim chair of the

**prof banu Örmeci appointed interim chair of the department of** - Jun 20 2021

web today s top 48 000 civil engineer jobs in united states leverage your professional network and get hired new civil engineer jobs added daily

department of civil engineering faculty of engineering and - Jun 01 2022

web students in the department of civil and environmental engineering make a lasting impact in the world as they launch careers in which they design and apply innovative solutions

*department of civil engineering emu* - Apr 11 2023

web the civil engineering department has five divisions structural engineering hydraulics transportation geotechnics engineering mechanics the department conducts m sc

**department of civil engineering eastern mediterranean** - May 12 2023

web department pictures civil engineering department 1980 2021 programs civil engineering undergraduate program english civil engineering undergraduate

**master s degrees in civil engineering construction in turkey** - Dec 15 2020

*civil engineering undergraduate program english* - Jul 14 2023

web 57 rows the department of civil engineering offers undergraduate and graduate

**civil engineering department faculty of engineering yeditepe** - Feb 09 2023

web department of civil engineering the purpose of engineering education and training is to provide engineering formation by teaching basic sciences and technology in order to

*İtÜ department of civil engineering İnşaat mühendisliği* - Jun 13 2023

web İtÜ department of civil engineering as the oldest engineering branch still in practice civil engineering deals with the planning design construction maintenance renewal

*department of civil engineering suleyman demirel university* - Mar 10 2023



web the list of the departments that can be done with the civil engineering department and the programs that the students of these departments have to follow programs can be

[48 000 civil engineer jobs in united states 2 057 new](#) - May 20 2021

web offered by department of architecture and civil engineering with effect from semester a 2022 23 part i course overview course title indoor air quality course code ca6237

[department of civil engineering fen bilimleri enstitüsü](#) - Dec 27 2021

web history civil engineering as a discipline civil engineering is the application of physical and scientific principles for solving the problems of society and its history is intricately

**national institute of technology tiruchirappalli 620 015** - Jan 16 2021

web civil engineering construction degrees teach students to plan design and oversee construction projects students learn to manage budgets and expenses work with

**civil engineering wikipedia** - Nov 25 2021

web the department of civil and environmental engineering undergraduate degree programs feature cutting edge education labs dedicated faculty who encourage student led

**school of civil engineering tsinghua university** - Feb 26 2022

web the department of civil and systems engineering at johns hopkins offers bs ms and doctoral degree programs and focuses on research in areas including structural

[the i 95 bridge was not designed to withstand fire few bridges](#) - Feb 14 2021

web department of civil engineering ref no nitt civ ctm l t 1 2023 date 12 09 2023 advertisement national institute of technology tiruchirappalli offering a

**degrees department of civil environmental engineering umd** - Oct 25 2021

web postgraduate study postgraduate taught courses 2024 2025 civil engineering and management applications for 2023 entry close at 5pm on friday 8 september

[home civil engineering boun edu tr](#) - Oct 05 2022

web department of civil engineering shortcut news accreditation vertical transfer erasmus research and scientific publications

**department of civil and systems engineering department of** - Jan 28 2022

web civil engineering computer engineering computer science earthquake management electrical and electronics engineering environmental engineering environmental earth

[İstanbul arel university department of civil engineering](#) - Jan 08 2023

web the curriculum of the civil engineering department is planned to provide a sound professional education for the students after completing their first year courses in basic

**roseanna neupauer elected fellow of asce civil** - Mar 18 2021

web jun 12 2023 the philadelphia inquirer mentioned a 2013 study by satish mohan professor in the department of civil structural and environmental engineering in a

**department of civil engineering academic faculty of** - Nov 06 2022

web department of civil engineering tel 90 212 359 6423 fax 90 212 287 2457 90 212 265 8488

*department of civil engineering what makes our future* - Aug 15 2023

web department of civil engineering k1 building Üniversiteler mah dumlupınar blv no 1 06800 Çankaya ankara orta doĖu teknik Üniversitesi ankara kampusu

**department of civil engineering department of civil engineering** - Sep 04 2022

web environmental engineering environmental engineering department eed of istanbul technical university itu being one of the leading departments of turkish republic

**department of civil engineering antalya bilim university** - Jul 02 2022

web department of civil engineering mudek accreditation contact us İstanbul okan university tuzla campus 34959 tuzla istanbul turkey

*city university of hong kong course syllabus offered by* - Apr 18 2021

web sep 13 2023 ucb 428 boulder co 80309 0428 office engineering center ecot 441 phone 303 492 6382 email ceae colorado edu facebook support us contact us

civil and environmental engineering - Apr 30 2022

web since the establishment of the university of hong kong and the faculty of engineering in 1912 the department of civil engineering has nurtured many brilliant leaders in the

**department of civil engineering hku** - Mar 30 2022

web as one of the oldest engineering departments at tsinghua the department of civil engineering was founded in 1926 through 95 years of development the department of

**new head of department at d baug dept of civil** - Aug 23 2021

web sep 13 2023 department of civil and environmental engineering home page presentation of phd thesis for student expected to complete phd in december 2023

**departments İnşaat fakültesi** - Aug 03 2022

web this includes buildings bridges roads airports dams sewage systems flood mitigation works and so on the list is endless

civil engineers are at the forefront of innovation in

**department of civil engineering academic** - Dec 07 2022

web civil engineering as one of the oldest engineering branches today has a very important situation with the effects of improvement of the technology rapid increase in population

civil engineering and management msc 2024 postgraduate - Sep 23 2021

web jan 1 2022 on 1 august 2023 professor ioannis anastasopoulos took up his position as the new head of the department of civil environmental and geomatic engineering at

**atlas routier format carte france 915 1 1000000 by atlas michelin** - Jun 19 2023

web atlas routier format carte france 915 1 1000000 by atlas michelin archives nationales travaux publics credits et remerciements cartes tomtom 850 teletlas 03 2010 page 40 joke say pdf download gographie michelin rue du merce profil mercial de la belgique fellah trade michelin carte routire et touristique series librarything fr

*atlas routier format carte france 915 1 1000000 by atlas michelin* - Jan 02 2022

web atlas routier format carte france 915 1 1000000 by atlas michelin atlas routier format carte france 915 1 1000000 by atlas michelin gographie michelin rue du merce carte routire ethiopie erythre au 1 1 900 000 1 915 carte routes michelin doccasion site annonce fr achat atlas routier

**atlas routier format carte france 915 1 1000000 pdf 2023** - Sep 10 2022

web atlas routier format carte france 915 1 1000000 pdf upload suny d grant 1 1 downloaded from voto uncal edu br on august 18 2023 by suny d grant atlas routier format carte france 915 1 1000000 pdf in some sort of driven by information and connectivity the energy of words has be more evident than ever

**atlas routier format carte france 915 1 1000000** - Jul 20 2023

web auteur atlas michelin isbn 9782060001890 Édition michelin editions des voyages livraison gratuite expédiée en 24h satisfait ou remboursé

atlas routier format carte france 915 1 1000000 copy - Jun 07 2022

web mar 22 2023 atlas routier format carte france 915 1 1000000 1 6 downloaded from uniport edu ng on march 22 2023 by guest atlas routier format carte france 915 1 1000000 right here we have countless books atlas routier format carte france 915 1 1000000 and collections to check out we additionally find the money for variant types

atlas routier format carte france 915 1 1000000 pdf wrbb neu - Nov 12 2022

web if you ally craving such a referred atlas routier format carte france 915 1 1000000 ebook that will find the money for you worth acquire the entirely best seller from us currently from several preferred authors if you desire to humorous books lots of novels tale jokes and more fictions collections are furthermore launched from best

atlas routier format carte france 915 1 1000000 by atlas - Sep 29 2021

web atlas routier format carte france 915 1 1000000 by atlas michelin atlas routier format carte france 915 1 1000000 by atlas michelin guide de l expatri au maroc france credits et remerciements vente en vente cartes plans guides ebay guide tous les logiciels gps de navigation routire sur cartes france sud regions librairie le bail

**atlas routier format carte france 915 1 1000000 c bonnard** - Feb 03 2022

web ease as keenness of this atlas routier format carte france 915 1 1000000 can be taken as with ease as picked to act figures infrastructures bieke cattoor 2011 recartography of section e 16 to h 18 of the michelin road map no 533 regional benelux this topological atlas structure highlights the dynamic interdependence of the infrastructure

atlas routier format carte france 915 1 1000000 by atlas michelin - Apr 05 2022

web april 9th 2020 atlas routier format carte france 915 1 1000000 de atlas michelin sur abebooks fr isbn 10 2060001897 isbn 13 9782060001890 michelin editions des voyages 2002 couverture souple atlas routier 1 1 000 000 achat vente livre collectif

atlas routier format carte france 915 1 1000000 by atlas - May 06 2022

web may 17 2023 petit atlas routier format carte distances entre principales villes help discoveram com 1 4 atlas routier format carte france 915 1 1000000 by atlas michelin

**atlas routier format carte france 915 1 1000000 by atlas michelin** - Dec 01 2021

web atlas routier format carte france 915 1 1000000 by atlas michelin calamo atlas de cornouaille april 19th 2020 atlas de cornouaille 21 le réseau routier cornouaillais s pays de quimperlé pays bigouden sud haut pays bigouden pays de

**atlas routier format carte france 915 1 1000000 by atlas michelin** - Oct 31 2021

web atlas routier format carte france 915 1 1000000 by atlas michelin atlas routier format carte france 915 1 1000000 by atlas michelin livre france pdf epub kindle physique chimie seconde vente en vente cartes plans guides ebay april 27th 2020 cette page a été mise à jour le 27 avr 10 51 il se peut que les données sur le nombre d

**atlas routier format carte france 915 1 1000000 by atlas michelin** - Mar 04 2022

web atlas routier format carte france 915 1 1000000 by atlas michelin du nord ouest congestion liens manquants infrastructures sous utilisées et itinéraires alternatifs

**atlas routier format carte france 915 1 1000000 pdf** - Jul 08 2022

web jun 7 2023 atlas routier format carte france 915 1 1000000 is available in our digital library an online access to it is set as public so you can get it instantly our digital library hosts in multiple locations allowing you to get the most less latency time to

**quels sont les meilleurs atlas routier sur papier ou en ligne** - Feb 15 2023

web jun 8 2011 les atlas routier papier atlas michelin la valeur sûre connu de tous l atlas michelin est véritablement la bible de tout conducteur désireux de posséder tout le réseau routier de france en carte avec une échelle de précision de 1 200 000e 1cm pour 2km pour moins de 12 prix constaté en juin 2011 cet atlas vous permet de visualiser les

**atlas routier format carte france 915 1 1000000 by atlas michelin** - Mar 16 2023

web atlas routier format carte france 915 1 1000000 by atlas michelin nouveautés et surtout les meilleurs prix sur vos articles préférés voila pourquoi cdiscount est le numéro 1 pour votre achat autres livres atlas routier 1 1 000 000 et librairie consultez nos avis conso atlas routier 1 1 000 000 et parez notre offre autres livres vous verrez

**obtenir la feuille de route map viewer classic arcgis** - Jan 14 2023

web pour créer une version à imprimer de votre feuille de route détaillée cliquez sur print imprimer dans la fenêtre directions feuille de route une fois le volet feuille de route fermé vous ne pouvez pas imprimer les directions sous forme de texte pour l itinéraire imprimer dans la partie supérieure de map viewer classic permet d

atlas routier format carte france 915 1 1000000 by atlas michelin - Oct 11 2022

web atlas routier format carte france 915 1 1000000 by atlas michelin michelin tyre plc librarything cartes routires afrique tourisme et voyage fnac mulhouse wikipedia guide tous les logiciels gps de navigation routire sur cartes par pays achat guide touristique page 4 fnac binoche renaud giquello france atlas routier michelin n915 france

atlas routier format carte france 915 1 1000000 - May 18 2023

web 1 atlas routier format carte france 915 1 1000000 right here we have countless ebook atlas routier format carte france 915 1 1000000 and collections to check out we additionally come up with the money for variant types and in addition to type of the books to browse the adequate book fiction history novel scientific research as

*atlas routier format carte france 915 1 1000000 pdf* - Aug 09 2022

web atlas routier format carte france 915 1 1000000 1 7 downloaded from uniport edu ng on september 12 2023 by guest

atlas routier format carte france 915 1 1000000 this is likewise one of the factors by obtaining the soft documents of this

atlas routier format carte france 915 1 1000000 by online

atlas routier format carte france 915 1 1000000 - Dec 13 2022

web jan 9 2023 4730486 atlas routier format carte france 915 1 1000000 1 3 downloaded from robbinsmanuscripts berkeley edu on by guest yeah reviewing a book atlas routier format carte france 915 1 1000000 could be credited with your close associates listings

atlas routier format carte france 915 1 1000000 - Aug 21 2023

web dec 27 2012 atlas routier format carte france 915 1 1000000 atlas michelin auteur 3 neuf d occasion a partir de eur 24 40 as of 12 27 2012 07 20 pst consultez la liste meilleures ventes cartes nationales pour des informations officielles sur le

classement actuel de ce produit

**atlas routier format carte france 915 1 1000000 david ley pdf** - Apr 17 2023

web 1 atlas routier format carte france 915 1 1000000 as recognized adventure as with ease as experience practically lesson amusement as with ease as understanding can be gotten by just checking out a ebook atlas routier format carte france 915 1 1000000 afterward it is not directly done you could acknowledge even more nearly this life as

*she is mine official manga bato to* - Mar 11 2023

web the elite private tutor min jiang xi who is good at pretending managed to clinch the ceo qin zhan as a client he who hates women flocking towards him warns that he simply lacks a tutor not a girlfriend as he instructed she is courteous and distant never crossing the boundaries but one year later a drunk qin zhan states that i

**she is mine short 2017 imdb** - Feb 27 2022

web she is mine directed by sena tunali with david eby elizabeth frohlich michael neumeyer mary helen schmidt jess goes to work on a set as a production assistant and it is not only the craziest thing she has ever done with all of her clumsiness but also the best thing she has ever done as she meets the love of her life on that set

**she is mine Çeviri türkçe İngilizce türkçe translate vc** - Aug 16 2023

web she s the whole world to me and she s mine the only way anyone could take her away from me is by killing me onu elimden ancak beni öldürerek alabilirler

she is mine Öldü tjk - Jun 02 2022

web İsim she is mine Öldü yaş 11 y dk doğ trh 11 02 2012 handikap p 0 baba cuvee usa anne stellar valentine usa belong to me usa antrenör mes akbulut gerçek sahip tÜrker demİR 100 Üzerine koşan sahip tÜrker demİR yetiştirici t demİR tercih açıklaması

**kip moore she s mine official music video youtube** - May 13 2023

web sep 11 2019 stream the latest from kip moore strm to shesminesign up to receive email updates from kip moore umgn us kipmooreupdateswebsite

she is mine a war orphan s incredible journey of survival - Oct 06 2022

web nov 8 2016 her father was an american serviceman her mother a young korean woman confused by the ravages of war abandoned at age four nameless homeless and utterly alone this child roamed the bleak war ravaged countryside of south korea for three years and was finally left for dead

**j cole she s mine pt 1 lyrics genius lyrics** - Mar 31 2022

web dec 9 2016 catch me don t you catch me i ve fallen in love for the first time i wanna cry and i ain t even tryna fight it don t wanna die don t wanna die no more cause now you re here and i just

**she is mine song and lyrics by frank edwards spotify** - Jul 03 2022

web listen to she is mine on spotify frank edwards song 2005 frank edwards song 2005 listen to she is mine on spotify frank edwards song 2005 sign up log in home search your library create your first playlist it s easy we ll help you create playlist let s find some podcasts

**la rive she is mine edp 90 ml kadın parfümü 5901832065265 trendyol** - Apr 12 2023

web la rive she is mine edp 90 ml kadın parfümü 5901832065265 yorumlarını inceleyin trendyol a özel indirimli fiyata satın alın marka la rive İndirim kuponlarım

**kukon she is mine youtube** - Jul 15 2023

web feb 13 2023 happy valentines tekst kukonproducent luokhanmix mastering rafał smoleńvideo kukonchórki julia miķułainstagram kukonogf

**she is mine youtube** - Jan 29 2022

web sep 24 2015 provided to youtube by columbiashe is mine the psychedelic furstalk talk talk 1981 sony music entertainment uk ltd released on 1986 07 15composer lyri

**the psychedelic furs she is mine lyrics genius lyrics** - Aug 04 2022

web she s making me a pair of shoes so i can run away she s making me a plastic wig she s making me again i didn t want to put you on or tape you down at all or leave you here so all alone or

**yeji kim she is mine official live clip youtube** - Jun 14 2023

web yeji kim she is mine official live clip yeji kim 109k subscribers subscribe 2 3k 272k views 9 months ago she is mine composed by ampoff ykabass kim yeji show more

**kim yeji she is mine lyrics genius lyrics** - Jan 09 2023

web may 1 2022 she is mine lyrics she is mine verse 1 there s a girl she is such a good girl pretty girl no one can beat her

**she is mine youtube** - Dec 28 2021

web provided to youtube by distrokidshe is mine the present momentshe is mine t p m released on 2022 12 02auto generated by youtube

**she is mine türkçe çeviri she is mine ne demek she is mine** - May 01 2022

web she is mine türkçesi nedir she is mine ne demek she is mine türkçe çeviri she is mine anlamı she is mine türkçe karşılığı she is mine nedir she is mine sözlük anlamları she is mine türkçe ne demek tüm hakları saklıdır 2011

**she is mine chords by the psychedelic furs ultimate guitar com** - Sep 05 2022

web jan 10 2023 g a you have to be crazy to stay in this place f g you just have to laugh at it all ha ha ha ha verse 2 g a i met

this girl and called her ma g a i called her everything g a i called her fab and mrs fish g a i didn t get her name d d c bm7 she s making me a pair of shoes d d c bm7 so i can run away d d c bm7 she s making me a plastic wig

**mine tugay bikinili pozlarıyla beğeni yağmuruna tutuldu bu** - Feb 10 2023

web 14 hours ago Ünlü oyuncu mine tugay bikinili pozları ile takipçilerinin beğenisini kazandı sosyal medyayı aktif şekilde kullanan mine tugay ın o pozları kısa sürede gündeme oturdu İşte o pozlar

she is mine gifs find share on giphy - Dec 08 2022

web find gifs with the latest and newest hashtags search discover and share your favorite she is mine gifs the best gifs are on giphy

she is mine gifs tenor - Nov 07 2022

web with tenor maker of gif keyboard add popular she is mine animated gifs to your conversations share the best gifs now