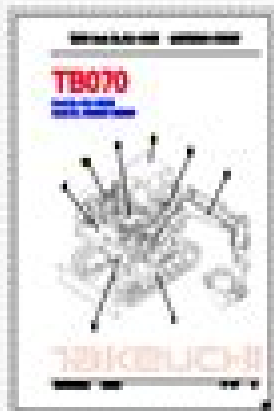
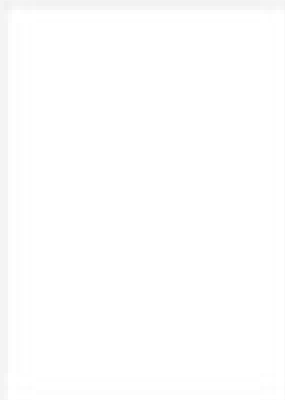


Thumbnail



1



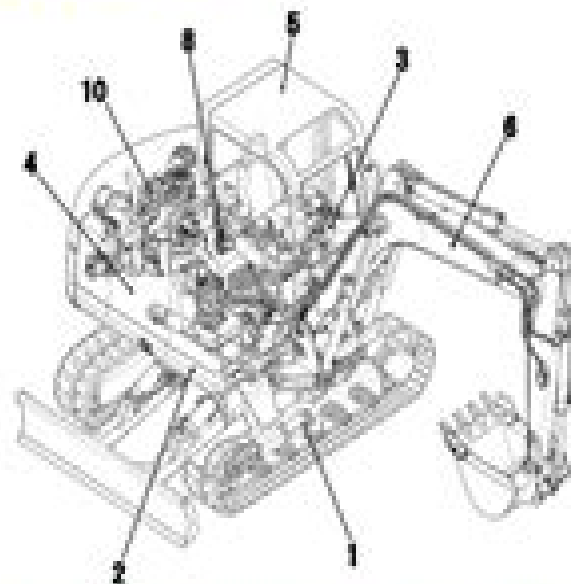
2



TB070 Book No. PL1-10125 S/91703004-1705487

# TB070

Book No. PL1-10125  
Serial No. 1703004-1705487



# TAKEUCHI

# Takeuchi Tb070 Compact Excavator Parts Manual

**Caterpillar Inc. Peoria, Ill..**



## **Takeuchi Tb070 Compact Excavator Parts Manual:**

[Parts Manual](#) Caterpillar Inc. Peoria, Ill.,1995    **Parts Manual** Caterpillar Inc. Peoria, Ill.,1996    [Parts Manual](#) Caterpillar Inc. Peoria, Ill.,1993    **Parts Manual** Caterpillar Inc. Peoria, Ill.,1990    **Parts Manual** Caterpillar Inc. Peoria, Ill.,1993    [Parts Manual](#) Caterpillar Inc. Peoria, Ill.,1995    [Parts Manual](#) Caterpillar Inc. Peoria, Ill.,1994    **Parts Manual** Caterpillar Inc. Peoria, Ill.,1995    **Parts Manual** Caterpillar Inc. Peoria, Ill.,1993    **Parts Manual** Caterpillar Inc. Peoria, Ill.,1996    [Parts Manual](#) Caterpillar Inc. Peoria, Ill.,1992    **Parts Manual** Caterpillar Inc. Peoria, Ill.,1994    *Parts Manual* Caterpillar Inc. Peoria, Ill.,1992    [Parts Manual](#) Caterpillar Inc. Peoria, Ill.,1995    **Parts Manual** Caterpillar Inc. Peoria, Ill.,1994    **Parts Manual** Caterpillar Inc. Peoria, Ill.,1998    **Master Parts Manual** Tecumseh Products Company. Engine and Gear Service Division,1982    **Suzuki Carry Da63t English Factory Parts Manual** James Danko,2014-11-15 Suzuki Carry DA63T English Factory Parts Manual Over 360 pages of illustrations and part numbers for every part on the Suzuki DA63T Truck A must for repairing your Suzuki DA63T series vehicle Easy to use broken down into six easy to read sections Engine Transmission Driveline Electrical components Suspension Brakes Body Chassis and Air Conditioning Includes component replacement labor times for repair garages All vehicle option parts included in this handy manual A must have for the professional to rebuild components locate parts or reference for all components on the DA63T You can also order parts by following the links in the back of the book

As recognized, adventure as capably as experience nearly lesson, amusement, as capably as settlement can be gotten by just checking out a book **Takeuchi Tb070 Compact Excavator Parts Manual** with it is not directly done, you could assume even more vis--vis this life, as regards the world.

We have enough money you this proper as competently as easy quirk to get those all. We present Takeuchi Tb070 Compact Excavator Parts Manual and numerous books collections from fictions to scientific research in any way. accompanied by them is this Takeuchi Tb070 Compact Excavator Parts Manual that can be your partner.

[https://new.webyeshiva.org/results/virtual-library/default.aspx/Read\\_Nfpa\\_20\\_2007.pdf](https://new.webyeshiva.org/results/virtual-library/default.aspx/Read_Nfpa_20_2007.pdf)

## **Table of Contents Takeuchi Tb070 Compact Excavator Parts Manual**

1. Understanding the eBook Takeuchi Tb070 Compact Excavator Parts Manual
  - The Rise of Digital Reading Takeuchi Tb070 Compact Excavator Parts Manual
  - Advantages of eBooks Over Traditional Books
2. Identifying Takeuchi Tb070 Compact Excavator Parts Manual
  - Exploring Different Genres
  - Considering Fiction vs. Non-Fiction
  - Determining Your Reading Goals
3. Choosing the Right eBook Platform
  - Popular eBook Platforms
  - Features to Look for in an Takeuchi Tb070 Compact Excavator Parts Manual
  - User-Friendly Interface
4. Exploring eBook Recommendations from Takeuchi Tb070 Compact Excavator Parts Manual
  - Personalized Recommendations
  - Takeuchi Tb070 Compact Excavator Parts Manual User Reviews and Ratings
  - Takeuchi Tb070 Compact Excavator Parts Manual and Bestseller Lists
5. Accessing Takeuchi Tb070 Compact Excavator Parts Manual Free and Paid eBooks

- Takeuchi Tb070 Compact Excavator Parts Manual Public Domain eBooks
  - Takeuchi Tb070 Compact Excavator Parts Manual eBook Subscription Services
  - Takeuchi Tb070 Compact Excavator Parts Manual Budget-Friendly Options
6. Navigating Takeuchi Tb070 Compact Excavator Parts Manual eBook Formats
    - ePub, PDF, MOBI, and More
    - Takeuchi Tb070 Compact Excavator Parts Manual Compatibility with Devices
    - Takeuchi Tb070 Compact Excavator Parts Manual Enhanced eBook Features
  7. Enhancing Your Reading Experience
    - Adjustable Fonts and Text Sizes of Takeuchi Tb070 Compact Excavator Parts Manual
    - Highlighting and Note-Taking Takeuchi Tb070 Compact Excavator Parts Manual
    - Interactive Elements Takeuchi Tb070 Compact Excavator Parts Manual
  8. Staying Engaged with Takeuchi Tb070 Compact Excavator Parts Manual
    - Joining Online Reading Communities
    - Participating in Virtual Book Clubs
    - Following Authors and Publishers Takeuchi Tb070 Compact Excavator Parts Manual
  9. Balancing eBooks and Physical Books Takeuchi Tb070 Compact Excavator Parts Manual
    - Benefits of a Digital Library
    - Creating a Diverse Reading Collection Takeuchi Tb070 Compact Excavator Parts Manual
  10. Overcoming Reading Challenges
    - Dealing with Digital Eye Strain
    - Minimizing Distractions
    - Managing Screen Time
  11. Cultivating a Reading Routine Takeuchi Tb070 Compact Excavator Parts Manual
    - Setting Reading Goals Takeuchi Tb070 Compact Excavator Parts Manual
    - Carving Out Dedicated Reading Time
  12. Sourcing Reliable Information of Takeuchi Tb070 Compact Excavator Parts Manual
    - Fact-Checking eBook Content of Takeuchi Tb070 Compact Excavator Parts Manual
    - Distinguishing Credible Sources
  13. Promoting Lifelong Learning
    - Utilizing eBooks for Skill Development

- Exploring Educational eBooks
- 14. Embracing eBook Trends
  - Integration of Multimedia Elements
  - Interactive and Gamified eBooks

### **Takeuchi Tb070 Compact Excavator Parts Manual Introduction**

In this digital age, the convenience of accessing information at our fingertips has become a necessity. Whether its research papers, eBooks, or user manuals, PDF files have become the preferred format for sharing and reading documents. However, the cost associated with purchasing PDF files can sometimes be a barrier for many individuals and organizations. Thankfully, there are numerous websites and platforms that allow users to download free PDF files legally. In this article, we will explore some of the best platforms to download free PDFs. One of the most popular platforms to download free PDF files is Project Gutenberg. This online library offers over 60,000 free eBooks that are in the public domain. From classic literature to historical documents, Project Gutenberg provides a wide range of PDF files that can be downloaded and enjoyed on various devices. The website is user-friendly and allows users to search for specific titles or browse through different categories. Another reliable platform for downloading Takeuchi Tb070 Compact Excavator Parts Manual free PDF files is Open Library. With its vast collection of over 1 million eBooks, Open Library has something for every reader. The website offers a seamless experience by providing options to borrow or download PDF files. Users simply need to create a free account to access this treasure trove of knowledge. Open Library also allows users to contribute by uploading and sharing their own PDF files, making it a collaborative platform for book enthusiasts. For those interested in academic resources, there are websites dedicated to providing free PDFs of research papers and scientific articles. One such website is Academia.edu, which allows researchers and scholars to share their work with a global audience. Users can download PDF files of research papers, theses, and dissertations covering a wide range of subjects. Academia.edu also provides a platform for discussions and networking within the academic community. When it comes to downloading Takeuchi Tb070 Compact Excavator Parts Manual free PDF files of magazines, brochures, and catalogs, Issuu is a popular choice. This digital publishing platform hosts a vast collection of publications from around the world. Users can search for specific titles or explore various categories and genres. Issuu offers a seamless reading experience with its user-friendly interface and allows users to download PDF files for offline reading. Apart from dedicated platforms, search engines also play a crucial role in finding free PDF files. Google, for instance, has an advanced search feature that allows users to filter results by file type. By specifying the file type as "PDF," users can find websites that offer free PDF downloads on a specific topic. While downloading Takeuchi Tb070 Compact Excavator Parts Manual free PDF files is convenient, its important to note that copyright laws must be respected. Always

ensure that the PDF files you download are legally available for free. Many authors and publishers voluntarily provide free PDF versions of their work, but it's essential to be cautious and verify the authenticity of the source before downloading Takeuchi Tb070 Compact Excavator Parts Manual. In conclusion, the internet offers numerous platforms and websites that allow users to download free PDF files legally. Whether it's classic literature, research papers, or magazines, there is something for everyone. The platforms mentioned in this article, such as Project Gutenberg, Open Library, Academia.edu, and Issuu, provide access to a vast collection of PDF files. However, users should always be cautious and verify the legality of the source before downloading Takeuchi Tb070 Compact Excavator Parts Manual any PDF files. With these platforms, the world of PDF downloads is just a click away.

### **FAQs About Takeuchi Tb070 Compact Excavator Parts Manual Books**

How do I know which eBook platform is the best for me? Finding the best eBook platform depends on your reading preferences and device compatibility. Research different platforms, read user reviews, and explore their features before making a choice. Are free eBooks of good quality? Yes, many reputable platforms offer high-quality free eBooks, including classics and public domain works. However, make sure to verify the source to ensure the eBook's credibility. Can I read eBooks without an eReader? Absolutely! Most eBook platforms offer web-based readers or mobile apps that allow you to read eBooks on your computer, tablet, or smartphone. How do I avoid digital eye strain while reading eBooks? To prevent digital eye strain, take regular breaks, adjust the font size and background color, and ensure proper lighting while reading eBooks. What's the advantage of interactive eBooks? Interactive eBooks incorporate multimedia elements, quizzes, and activities, enhancing the reader engagement and providing a more immersive learning experience. Takeuchi Tb070 Compact Excavator Parts Manual is one of the best books in our library for free trial. We provide a copy of Takeuchi Tb070 Compact Excavator Parts Manual in digital format, so the resources that you find are reliable. There are also many eBooks of related titles with Takeuchi Tb070 Compact Excavator Parts Manual. Where to download Takeuchi Tb070 Compact Excavator Parts Manual online for free? Are you looking for Takeuchi Tb070 Compact Excavator Parts Manual PDF? This is definitely going to save you time and cash in something you should think about. If you're trying to find them, search around for online. Without a doubt, there are numerous of these available and many of them have the freedom. However, without a doubt, you receive whatever you purchase. An alternate way to get ideas is always to check another Takeuchi Tb070 Compact Excavator Parts Manual. This method for seeing exactly what may be included and adopting these ideas to your book. This site will almost certainly help you save time and effort, money and stress. If you are looking for free books, then you really should consider finding one to assist you try this. Several of Takeuchi Tb070 Compact Excavator Parts Manual are for sale to free while some are payable. If you aren't

sure if the books you would like to download works with for usage along with your computer, it is possible to download free trials. The free guides make it easy for someone to free access online library for download books to your device. You can get free download on free trial for lots of books categories. Our library is the biggest of these that have literally hundreds of thousands of different products categories represented. You will also see that there are specific sites catered to different product types or categories, brands or niches related with Takeuchi Tb070 Compact Excavator Parts Manual. So depending on what exactly you are searching, you will be able to choose e books to suit your own need. Need to access completely for Campbell Biology Seventh Edition book? Access Ebook without any digging. And by having access to our ebook online or by storing it on your computer, you have convenient answers with Takeuchi Tb070 Compact Excavator Parts Manual To get started finding Takeuchi Tb070 Compact Excavator Parts Manual, you are right to find our website which has a comprehensive collection of books online. Our library is the biggest of these that have literally hundreds of thousands of different products represented. You will also see that there are specific sites catered to different categories or niches related with Takeuchi Tb070 Compact Excavator Parts Manual So depending on what exactly you are searching, you will be able to choose ebook to suit your own need. Thank you for reading Takeuchi Tb070 Compact Excavator Parts Manual. Maybe you have knowledge that, people have search numerous times for their favorite readings like this Takeuchi Tb070 Compact Excavator Parts Manual, but end up in harmful downloads. Rather than reading a good book with a cup of coffee in the afternoon, instead they juggled with some harmful bugs inside their laptop. Takeuchi Tb070 Compact Excavator Parts Manual is available in our book collection an online access to it is set as public so you can download it instantly. Our digital library spans in multiple locations, allowing you to get the most less latency time to download any of our books like this one. Merely said, Takeuchi Tb070 Compact Excavator Parts Manual is universally compatible with any devices to read.

### **Find Takeuchi Tb070 Compact Excavator Parts Manual :**

[read nfpa 20 2007](#)

*read ndima ma ch3*

~~83 honda magna v45 owners manual~~

**osha post test**

*standar upah harga tour guide*

[saturn shop manual](#)

~~read nanb magazine form~~

**saturn sc2 2015 manual**

*manuale di agopuntura*



[lodish molecular cell biology solutions manual torrent](#)

[04 jeep cherokee repair manual](#)

[a faithful beat](#)

[19 2014 life science controlled paper](#)

[ballast review manual](#)

[boeing 777 performance manual](#)

### **Takeuchi Tb070 Compact Excavator Parts Manual :**

**5 teka teki logika ini menguji kecerdasan kamu bisa jawab** - Dec 30 2022

web sabtu 11 jun 2022 20 00 wib jakarta teka teki berikut sebetulnya sederhana dan mudah namun bisa menjebak tes apakah kamu cukup cerdas menghindari jebakan

[tes logika penalaran dan jawaban tips serra](#) - Jun 04 2023

web sađlık bilgisi ve trafik kùltùrù 2 test çöz aol çıkmış sorular açık lise test Çöz ile sınavlarda başarının en kolay yolu açık liseye ait milyonlarca geçmiş dönem ve çıkmış

[5 cara melatih logika berpikir agar lolos tes logika penalaran](#) - Jan 31 2023

web arkadaşlık cesareti arkadaşlarınızın sizi ne kadar iyi tanıdıklarını kontrol etmeleri için bir test yapın kendinizle ilgili 9 test sorusu oluşturun bizim örneklerimizi kullanabilir veya

[paragrafta ana düşünce test 1 edebiyat Öğretmeni](#) - Mar 21 2022

web a tes logika 1 risdi adalah siswa yang paling pandai di kelasnya cecep kalah pandai dibanding asepe tetapi asepe sama pandainya dengan mamat mamat lebih pandai dari

**online Atatürkçülük ve Atatürk İlkeleri test Çöz Ünirehberi** - Aug 26 2022

web jan 27 2022 tujuan tes logika aritmatika sesuai namanya tes logika aritmatika bertujuan untuk mengetahui kemampuan penalaran peserta atau calon karyawan

**22 pertanyaan teka teki logika untuk menantang pikiran anda** - Feb 17 2022

web 15 hours ago mahkamah konstitusi kembali menyidangkan gugatan tentang batas usia apakah gugatan ini dan juga putusan mahkamah kehormatan mk mkmk akan

**satugame tes kemampuan logika dan uji** - May 03 2023

web jan 27 2022 tes logika penalaran dapat mencakup diagram penalaran induktif penalaran deduktif penalaran abstrak dan berpikir kritis pada dasarnya tes ini berguna

**5 tes logika sederhana yang berguna untuk** - Apr 02 2023

web teka teki logika bisa membantu kamu menghabiskan waktu sekaligus melatih ketajaman otak permainan kata dan gambar ini dijamin akan membuat kamu jadi lebih kreatif yuk

*jenis tes logika penalaran dalam psikotes dan contoh soalnya* - Sep 07 2023

web jul 2 2022 tpa logika adalah logika adalah bagian dari tes potensi akademik tpa dalam soal soal logika kamu diminta menalarkan kesimpulan dari bukti dan fakta yang

*tes logika buat si genius awas kejebak pertanyaan teka teki ini* - Sep 26 2022

web aug 3 2023 haidunia com tes logika penalaran psikotes sering diujikan kepada calon pegawai baik itu pegawai pemerintah atau aparatur sipil negara asn yang

**mengenali tes logika aritmatika penalaran dan memecahkan** - Jul 05 2023

web aug 10 2019 tes logika biasanya digunakan untuk mengukur suatu kemampuan penalaran seseorang dan dari video diatas kita punya 5 soal tes logika dan kita juga punya 1 so

**contoh tes logika penalaran lengkap dengan jenis dan caranya** - Apr 21 2022

web may 24 2023 contoh contoh soal tes psikotes kerja dan kunci jawaban 1 tes kemampuan verbal tes yang satu ini dilakukan untuk mengetahui sejauh mana

contoh soal psikotes kerja dan jawabannya bisa kamu - Jan 19 2022

**a tes logika wordpress com** - Dec 18 2021

**pilpres 2024 mk kembali uji perkara batas usia capres cawapres** - Nov 16 2021

**contoh contoh soal tes logika aritmatika psikotes dan** - Nov 28 2022

web nov 18 2020 atatürkçülük ve atatürk İlkeleri test Çöz online testler 18 kasım 2020 3 Ünirehberi ekibi olarak sizler için yks tyt kpss lgs gibi sınavlara özel tarih

**tes logika kamu disini tes iq com** - Oct 08 2023

web tes logika merupakan salah satu tes dalam tes potensi akademik atau tpa psikotes tes iq dan tes lainnya jenis jenis tes logika tes logika umum tes logika analitis

**arkadaşlık testi bff testi ile bağınızı test edin mate quiz** - Oct 28 2022

web tes logika kecerdasan otak bisa menjawab 6 dari 8 pertanyaan ini berarti anda teka teki channel 16k subscribers 2m views 5 years ago tes

**tpa logika pengertian teori tips dan contoh soal** - Aug 06 2023

web aug 7 2023 logika aritmatika dibagi dalam beberapa bab seperti teka teki analogi diagram venn deret dan lain sebagainya adapun sejumlah rangkaian tes dan kuis

**tes logika penalaran psikotes 18 contoh soal dan jawaban** - Jun 23 2022

web 18 cevati Şakir yirmi beş yıl ayrılamayacağı bodrum da kişiliğinin o sağlam kumaşını dokumaya başlar sahte değersiz davranışlardan tiksindir kendi küçük yararları için

**aol çıkmış sorular açık lise test Çöz açık Öğretim lisesi** - Mar 01 2023

web mar 9 2022 contoh contoh soal tes logika aritmatika psikotes dan pembahasannya mempelajari contoh contoh soal tes logika aritmatika akan memudahkan kamu dalam

contoh soal psikotes tes logika aritmatika dan jawabannya - May 23 2022

web aug 31 2023 dalam postingan blog ini kami akan memberikan daftar 22 pertanyaan teka teki logika menyenangkan yang akan membuat anda berpikir dan merenung saat anda

**tes logika kecerdasan otak bisa menjawab 6 dari 8** - Jul 25 2022

web tes logika penalaran adalah jenis uji psikotes yang berguna untuk mengukur kecerdasan seseorang serta kemampuannya dalam berpikir secara logis dan masuk akal tujuan

nissan tiida manuals nissan - Sep 19 2023

web tiida c12 2014 2014 nissan versa note c12 repair manual rar contains 54 pdf files brakes clutch transmission etc repair manuals 71 3 mb english tiida c12 2014 2014 nissan versa sedan c12 repair manual rar contains 54 pdf files brakes clutch transmission etc repair manuals 101 mb

*nissan tiida owner s and service manuals online* - May 15 2023

web nissan tiida owner s manuals and service manuals for online browsing and download search through 4769 nissan manuals online for free carmanualsonline info is the largest free online database of nissan user manuals

**nissan tiida manual transmission by psles07 issuu** - Jan 31 2022

web jan 2 2018 read nissan tiida manual transmission by psles07 on issuu and browse thousands of other publications on our platform start here

**nissan tiida manuals pdf online free cardiagn com** - Jan 11 2023

web free online pdf for nissan tiida workshop manuals nissan tiida oem repair manuals nissan tiida shop manuals nissan tiida electrical wiring diagrams ewd free online car manuals pdf online

**nissan tiida 2007 2014 haynes repair manuals guides** - Nov 09 2022

web need to service or repair your nissan tiida 2007 2014 online and print formats available save time and money when you follow the advice of haynes master mechanics

[nissan tiida c11 2008 service repair manual pdf for free](#) - Mar 13 2023

web nissan tiida c11 2008 service repair manual his manual contains maintenance and repair procedures for the nissan tiida model c11 series in order to assure your safety and the efficient functioning of the vehicle this manual should be read thoroughly

[nissan tiida free workshop and repair manuals](#) - Apr 14 2023

web tiida nissan tiida workshop manuals and repair manuals every manual available online found by our community and shared for free enjoy nissan tiida the nissan tiida is a small automobile produced by the japanese manufacturer nissan

**nissan tiida 2009 user manual manualmachine com** - Aug 06 2022

web nissan tiida 2009 user manual foreword read first then drive safely welcome to the growing family of new nissan owners this vehicle is delivered to you with confidence it was produced using the latest techniques and strict quality control

[nissan tiida wikipedia](#) - Aug 18 2023

web the engine was connected to either a close ratio 6 speed manual transmission or continuously variable transmission cvt premium features included push start ignition keyless entry dusk sensing headlights dual climate control and satellite navigation

*nissan tiida transmission rebuild manuals* - Dec 10 2022

web nissan tiida here you can download nissan tiida automatic transmission rebuild manuals schemes diagrams fluid type and capacity information whatever type of nissan tiida you own we will help you with guides that will teach you how to service your gearbox by yourself years transmission type engine type transmission

**nissan tiida repair service manuals 13 pdf s** - Oct 08 2022

web nissan tiida service pdf s covering routine maintenance and servicing detailed nissan tiida engine and associated service systems for repairs and overhaul pdf nissan tiida transmission data service manual pdf nissan tiida brakes and suspension pdf nissan tiida wiring diagrams looking for a free nissan tiida haynes nissan tiida

[nissan tiida transmission problems and issues startmycar](#) - Apr 02 2022

web nissan tiida 2013 50000 miles coolant leak gear box clutch when pressing the clutch the pedal went to the bottom and i was left without pressure in the clutch lever i checked beneath the gearbox and all the coolant was being lost so i could not continue driving my tiida is from 2013 and has got 31000 miles

*nissan tiida problems reliability issues carsguide* - Mar 01 2022

web sep 13 2022 transmission options were four speed automatic transmission or six speed manual gearbox the ti fitted only with the former inside the tiida was roomy and comfortable with good head and legroom throughout the cabin soft feel materials and polished metal highlights endowed a quality look and feel

[nissan tiida latio 2008 service repair manual pdf for free](#) - Jun 04 2022

web nissan tiida nissan latio this manual contains maintenance and repair procedures for the 2008 nissan versa in order to assure your safety and the efficient functioning of the vehicle this manual should be read thoroughly

**nissan tiida versa latio workshop manual free pdf** - Feb 12 2023

web workshop manuals repair manuals are suitable for the below vehicles 2004 nissan tiida versa latio 2005 nissan tiida versa latio 2006 nissan tiida versa latio 2007 nissan tiida versa latio 2008 nissan tiida versa latio 2009 nissan tiida versa latio 2010 nissan tiida versa latio 2011 nissan tiida versa latio

**nissan tiida transmission parts automatic manual** - Sep 07 2022

web aug 21 2021 nissan tiida models we have reliable replacements for worn out transmission parts of your nissan tiida along with performance units built to improve shifting and acceleration

[nissan tiida service manual pdf scribd](#) - Jun 16 2023

web nissan tiida service manual free ebook download as pdf file pdf text file txt or read book online for free versa model manual de intretinere

**nissan tiida manuals nissan** - Jul 17 2023

web 2007 tiida verso users manual pdf user s manuals 4 59 mb english 280 tiida c11 2010 2010 nissan versa c11 repair manual rar contains 42 pdf files brakes clutch transmission etc repair manuals 69 5 mb english tiida c11 2009 2009 nissan versa repair manual rar

[nissan tiida 2007 service repair manual 5883 pages](#) - May 03 2022

web view print and download for free nissan tiida 2007 service repair manual 5883 pages pdf size 78 95 mb search in nissan tiida 2007 service repair manual online carmanualsonline info is the largest online database of car user manuals nissan tiida 2007 service repair manual pdf download

**nissan tiida gearbox oil top up youtube** - Jul 05 2022

web may 18 2020 nissan tiida gearbox oil top up top up gearbox oil for a nissan tiida visia i struggled to find a video on this subject it motivated me to make this video nissan tiida is not a

[color and label the urinary system biology libretexts](#) - Dec 11 2022

web the libretexts libraries are powered by nice cxone expert and are supported by the department of education open textbook pilot project the uc davis office of the provost the uc davis library the california state university affordable learning solutions program and merlot we also acknowledge previous national science foundation support under

[free urinary system label with 4 versions the biology corner](#) - Aug 19 2023

web may 3 2020 in anatomy worksheets by shannan muskopf bladder kidney labeling renal system ureter urethra urinary

students can practice labeling the urinary system either with or without a word bank image has numbers to identify structures like the bladder kidney and ureters

[urinary system labeling quiz purposegames](#) - May 04 2022

web apr 30 2023 this is an online quiz called urinary system labeling you can use it as urinary system labeling practice completely free to play currently most played colours in german new york city boroughs and waterways easy earth s rotation revolution 13 colonies quiz polygons 3 sided to 14 sided

**urinary system labeling key by biologycorner tpt** - Jan 12 2023

web students practice labeling diagrams of the urinary system two versions are available a drag and drop activity for remote learners and a printable document for in person practice overview showing kidneys ureter urethra and bladder

[label and color the urinary system the biology corner](#) - Sep 20 2023

web may 11 2019 this coloring worksheet can be paired with a related activity where students label and color the internal structures of the kidney nephrons renal pyramids renal pelvis this simple worksheet asks students to label the major structures of the urinary system they can also choose to color the diagram i use coloring sheets in anatomy and

**urinary system labeling key the biology corner** - Jun 17 2023

web this work is licensed under a creative commons attribution noncommercial sharealike 4 0 international license creative commons attribution noncommercial sharealike 4 0 international license

**label urinary system quiz purposegames** - Sep 08 2022

web feb 22 2022 this online quiz is called label urinary system it was created by member stephanie p and has 11 questions this online quiz is called label urinary system it was created by member stephanie p and has 11 questions open menu purposegames hit me language en login register start games create categories playlists

**labeling the urinary system answer key pdf analytics mirowin** - Feb 01 2022

web labeling the urinary system answer key 1 labeling the urinary system answer key neet aiims objective question bank for physics chemistry biology mosby s anatomy physiology study and review cards anatomy physiology in a flash jacaranda science quest 9 for victoria australian curriculum 1e revised learnon print

[urinary system labeling worksheet by techcheck lessons](#) - Jun 05 2022

web this tool contains 1 worksheet for students to title of common major accessories on the urinary systems return key included this resource can are used as an introduction to new material or a study guided on an quiz

*biology 202 anatomy physiology of the urinary system 1 label* - Feb 13 2023

web biology 202 anatomy physiology of the urinary system 1 label the structures of the urinary system below source lesson organs of the urinary system structure function 2 label the

**lab 9 anatomy of the urinary system community college of** - Jul 18 2023

web aug 7 2023 chapter 25 the urinary system chapter 26 fluid electrolyte acid base balance chapter 27 the reproductive system ap 2 lab models of the urinary system labeling activity practice quiz urinary anatomy practice quiz lab model videos kidney model dr lotz kidney model part 1

**urinary system label the urinary pdcaworld com** - Apr 15 2023

web may 3 2020 the urinary system consists of two kidneys two ureters a urinary label the organs away the urinary system and use answer key a kidney b ureter large structures included in the labeling are the kidney bladder urea ureter and major vessels like that aorta vena cava and rheumatic

**urinary system labeling worksheet by techcheck lessons tpt** - Oct 09 2022

web description this resource contains 1 worksheet for students to label the common major parts of the urinary system answer key included this resource can be used as an introduction to new material or a study guide for a quiz

**results for urinary system label tpt** - Nov 10 2022

web this resource contains 1 worksheet for students to label the common major parts of the urinary system answer key included this resource can be used as an introduction to new material or a study guide for a quiz

[urinary system quizzes and labeled diagrams kenhub](#) - May 16 2023

web sep 14 2022 take a look at the urinary system diagram labeled below you ll notice familiar structures like the bladder and ureters as well as perhaps less familiar structures such as the renal artery and vein don t worry the next steps in your revision will help you memorise everything overview image showing all of the main structures of the

[labeling the urinary system answer key download only](#) - Mar 02 2022

web labeling the urinary system answer key downloaded from dbdocuments dev cobroventures com by guest riley charles anatomy and physiology elsevier health sciences get some extra help mastering core terms concepts and processes related to the anatomy and physiology of the human body with this comprehensive study aid study

[the urinary system pearson](#) - Mar 14 2023

web the organs of the urinary system are organs of excretion they remove wastes and water from the body specifically the urinary system cleans the practice art labeling m24 amer2952 01 se c24 941 984 indd 942 9 15 14 6 29 pm 6th proof 24 2 see answers in appendix a module 24 2 anatomy of the kidneys learning outcomes

[urinary system labeling quiz by saleenluver sporcle](#) - Apr 03 2022

web apr 13 2014 urinary system labeling can you label the urinary system by saleenluver follow send a message see more by this creator comments comments bookmark quiz bookmark quiz select answers by clicking on text or image buttons forced order answers have to be entered in order answers have to be entered in order

**urinary system labeling teaching resources wordwall** - Jul 06 2022

web 10000 results for urinary system labeling urinary system labeling labelled diagram by etidwell urinary system labeling labelled diagram by mrtscience77 urinary system labeling with function labelled diagram by ksandoval5 labeling the urinary system module 8 lesson 3 applied science labelled diagram

*results for kidney labelling ppt* - Aug 07 2022

web this product helps students identify and label 11 parts of the urinary system on over two diagrams one general urinary system image and one detailed kidney image activity is differentiated and includes versions with and without a word bank and can be used as practice a quiz or both