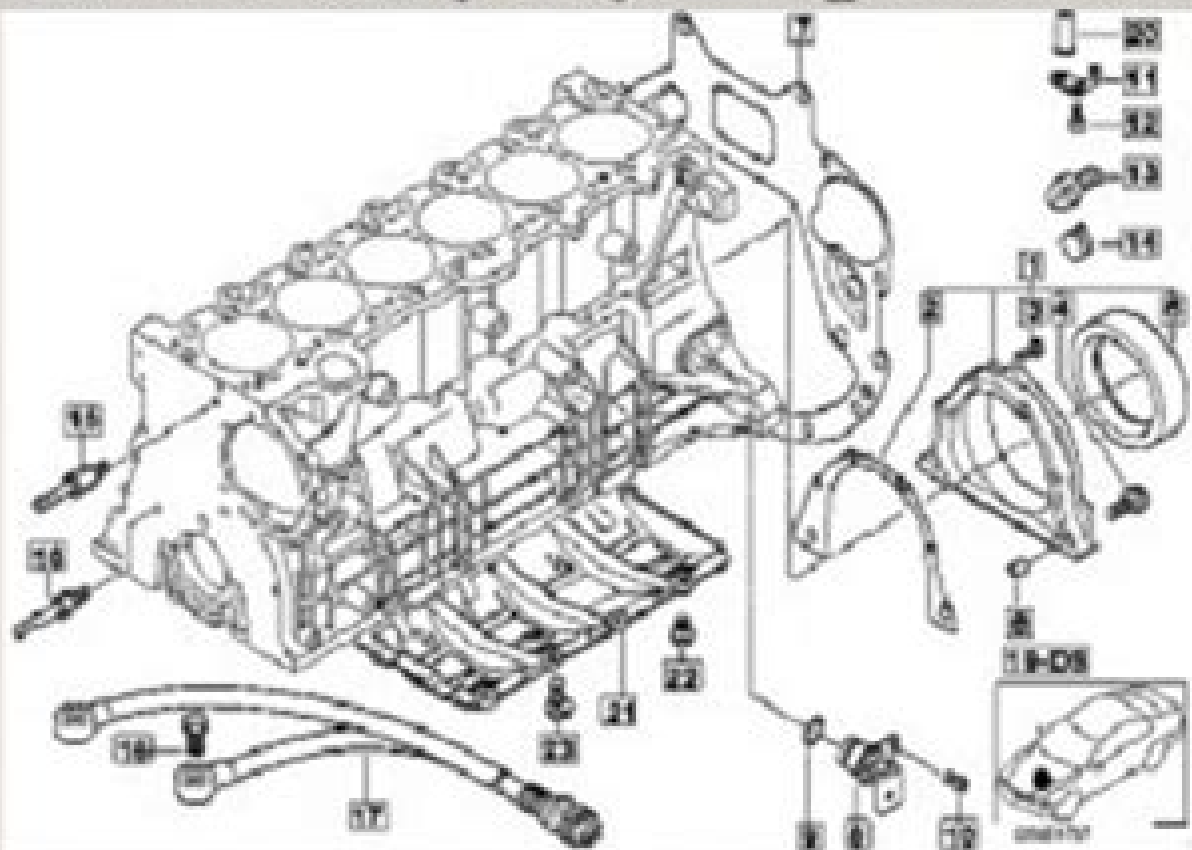


# BMW Parts Catalog - Diagrams 11\_2167 ENGINE BLOCK MOUNTING PARTS



Part No.	Qty	U

Parts Search

To Parts List

Parts Information

Part Kits

Production Date

Previous Main Group

Next Main Group

Previous Diagram

Next Diagram

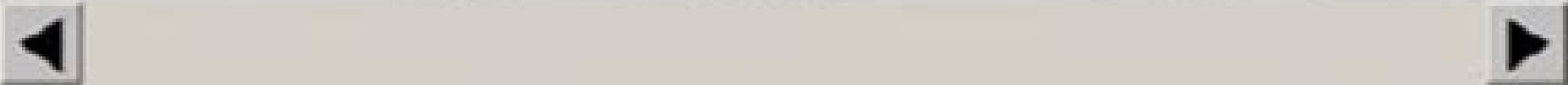
Change View/Display

Accessories

Delete Part No.

Transfer List to DMS

No.	Description	Supplement	Qty	From	Up To	Car	Tr	St	CV	Part Number	Alt	R	Ti
	ONLY APPLIES TO 505A AUTOMATIC TRANSMISSION												
14	SEALING COVER									11 14 1 730 453			
15	BEARING BOLT									11 21 1 740 017			



# Bmw Series 3 Instruction Manual

**Léo Pomar**



### **Bmw Series 3 Instruction Manual:**

*Intermediate Arabic Workbook* John Mace, 2007 Having consolidated the essential elements of the Arabic language this book progresses to the next stage Readers of the first book in this series will be well prepared for the material and exercises provided at this intermediate level It explores word and sentence structure with the emphasis on practical language usage in a working environment The vocabulary has been expanded to 2100 words in a variety of domains ranging from community to computing Exercises in form filling interpreting charts and writing letters are provided A variety of real forms and articles are given to enhance the student s language experience *Subject Guide to Books in Print* ,2001 [Volvo 240 Service Manual 1983 Through 1993](#) Bentley Publishers,1993 Vehicle Maintenance [Whitaker's Books in Print](#) ,1998 **Subject Guide to Children's Books in Print 1997** Bowker Editorial Staff,R R Bowker Publishing,1996-09 **Toyota Truck & Land Cruiser Owner's Bible** Moses Ludel,1995 A Hands on Guide To Getting The Most From Your Toyota The Toyota Truck Land Cruiser Owner s Bible is the authoritative companion book for your Toyota truck whether it s a heavy hauling pickup rugged off road FJ40 or a new Land Cruiser that s never left pavement Author veteran truck mechanic and off road expert Moses Ludel has written the only comprehensive source of information for Toyota Trucks and Land Cruisers a history buyer s guide service manual and high performance tuning book all in one Discover every aspect of Toyota trucks from their origins in 1958 to the latest technological advances You ll learn tips for buying the right new or used truck and which accessories make sense for your needs Step by step procedures with hundreds of photos cover basic maintenance and more complicated work like tune ups valve adjustments brake jobs and installing aftermarket suspension lift kits Get the hot set up for your truck whether you want low end torque or high RPM power Moses gives specific tuning recommendations for engines from the early inline 6s to the advanced 4 5L 24 valve DJ engine He shares expert insights into the best high performance components and the latest technology from Toyota Racing Development You ll also find suspension and chassis modifications and the best tire and wheel combinations Comprehensive coverage of Toyota Trucks and Land Cruisers from 1958 1996 including 4Runner SR 5 Tacoma T 100 FJ25 FJ40 FJ43 FJ45 FJ55 FJ80 FJ60 DJ80 Stout Hi Lux Xtra Cab Cab and Chassis Models **Car and Driver** ,1995 **The Cumulative Book Index** ,1912 A world list of books in the English language **Old Car Value Guide** ,1977 [Books in Print](#) ,1983 **Jeep Owner's Bible** Moses Ludel,1992 Covers all Jeep models from MB up including Grand Cherokee Wrangler Cherokee all CJ models Scrambler Wagoneer Pickups Jeepster and J trucks For Jeep fans Jeep owners and even those just contemplating the purchase of a Jeep there is no substitute for this incredibly popular versatile vehicle over 3 5 million Jeeps have been sold since 1945 And for everything you need to get the most out of Jeep ownership there is no substitute for Jeep Owner s Bible TM by Moses Ludel recognized as the most comprehensive authoritative guide to the Jeep ever published In the words of Jeep Owner s Bible TM author Ludel For those who never intend to work on their Jeep themselves the Jeep Owner s Bible TM provides basic orientation explains mechanical features

of Jeep 4WD trucks offers valuable troubleshooting tips and makes it easier to discuss repair or modification work with a professional mechanic For the do it yourselfer Jeep Owner s Bible TM serves as a technical guide model review and data source Equipped with this book and a genuine Jeep factory service manual for your model you can accomplish quality repairs or a complete mechanical restoration Alfa Romeo Owners Bible P Braden,1994-08-19 Head gasket repairs valve adjustments camshaft timing carb and SPICA fuel injection tuning and driveshaft donut replacement are all explained Experienced hands on guidance thatll keep you in the drivers seat The Journal of the Royal Aeronautical Society Royal Aeronautical Society,1939 *The Power Report* ,2001 J D Power and Associates automotive journal *Cars & Parts* ,1986 **Floyd Clymer's Auto Topics** ,1967 Books in Print Supplement ,1985 **Scientific and Technical Books and Serials in Print** ,1984 **Motor Sport** William Boddy,1970 *The British National Bibliography* Arthur James Wells,2002

Embark on a transformative journey with Written by is captivating work, Grab Your Copy of **Bmw Series 3 Instruction Manual** . This enlightening ebook, available for download in a convenient PDF format Download in PDF: , invites you to explore a world of boundless knowledge. Unleash your intellectual curiosity and discover the power of words as you dive into this riveting creation. Download now and elevate your reading experience to new heights .

<https://new.webyeshiva.org/book/publication/fetch.php/Elasticity%20Tensor%20Dyadic%20And%20Engineering%20Approaches%20Nicholas%20J%20Pagano.pdf>

## **Table of Contents Bmw Series 3 Instruction Manual**

1. Understanding the eBook Bmw Series 3 Instruction Manual
  - The Rise of Digital Reading Bmw Series 3 Instruction Manual
  - Advantages of eBooks Over Traditional Books
2. Identifying Bmw Series 3 Instruction Manual
  - Exploring Different Genres
  - Considering Fiction vs. Non-Fiction
  - Determining Your Reading Goals
3. Choosing the Right eBook Platform
  - Popular eBook Platforms
  - Features to Look for in an Bmw Series 3 Instruction Manual
  - User-Friendly Interface
4. Exploring eBook Recommendations from Bmw Series 3 Instruction Manual
  - Personalized Recommendations
  - Bmw Series 3 Instruction Manual User Reviews and Ratings
  - Bmw Series 3 Instruction Manual and Bestseller Lists
5. Accessing Bmw Series 3 Instruction Manual Free and Paid eBooks
  - Bmw Series 3 Instruction Manual Public Domain eBooks
  - Bmw Series 3 Instruction Manual eBook Subscription Services

- Bmw Series 3 Instruction Manual Budget-Friendly Options
- 6. Navigating Bmw Series 3 Instruction Manual eBook Formats
  - ePub, PDF, MOBI, and More
  - Bmw Series 3 Instruction Manual Compatibility with Devices
  - Bmw Series 3 Instruction Manual Enhanced eBook Features
- 7. Enhancing Your Reading Experience
  - Adjustable Fonts and Text Sizes of Bmw Series 3 Instruction Manual
  - Highlighting and Note-Taking Bmw Series 3 Instruction Manual
  - Interactive Elements Bmw Series 3 Instruction Manual
- 8. Staying Engaged with Bmw Series 3 Instruction Manual
  - Joining Online Reading Communities
  - Participating in Virtual Book Clubs
  - Following Authors and Publishers Bmw Series 3 Instruction Manual
- 9. Balancing eBooks and Physical Books Bmw Series 3 Instruction Manual
  - Benefits of a Digital Library
  - Creating a Diverse Reading Collection Bmw Series 3 Instruction Manual
- 10. Overcoming Reading Challenges
  - Dealing with Digital Eye Strain
  - Minimizing Distractions
  - Managing Screen Time
- 11. Cultivating a Reading Routine Bmw Series 3 Instruction Manual
  - Setting Reading Goals Bmw Series 3 Instruction Manual
  - Carving Out Dedicated Reading Time
- 12. Sourcing Reliable Information of Bmw Series 3 Instruction Manual
  - Fact-Checking eBook Content of Bmw Series 3 Instruction Manual
  - Distinguishing Credible Sources
- 13. Promoting Lifelong Learning
  - Utilizing eBooks for Skill Development
  - Exploring Educational eBooks
- 14. Embracing eBook Trends

- Integration of Multimedia Elements
- Interactive and Gamified eBooks

### **Bmw Series 3 Instruction Manual Introduction**

In the digital age, access to information has become easier than ever before. The ability to download Bmw Series 3 Instruction Manual has revolutionized the way we consume written content. Whether you are a student looking for course material, an avid reader searching for your next favorite book, or a professional seeking research papers, the option to download Bmw Series 3 Instruction Manual has opened up a world of possibilities. Downloading Bmw Series 3 Instruction Manual provides numerous advantages over physical copies of books and documents. Firstly, it is incredibly convenient. Gone are the days of carrying around heavy textbooks or bulky folders filled with papers. With the click of a button, you can gain immediate access to valuable resources on any device. This convenience allows for efficient studying, researching, and reading on the go. Moreover, the cost-effective nature of downloading Bmw Series 3 Instruction Manual has democratized knowledge. Traditional books and academic journals can be expensive, making it difficult for individuals with limited financial resources to access information. By offering free PDF downloads, publishers and authors are enabling a wider audience to benefit from their work. This inclusivity promotes equal opportunities for learning and personal growth. There are numerous websites and platforms where individuals can download Bmw Series 3 Instruction Manual. These websites range from academic databases offering research papers and journals to online libraries with an expansive collection of books from various genres. Many authors and publishers also upload their work to specific websites, granting readers access to their content without any charge. These platforms not only provide access to existing literature but also serve as an excellent platform for undiscovered authors to share their work with the world. However, it is essential to be cautious while downloading Bmw Series 3 Instruction Manual. Some websites may offer pirated or illegally obtained copies of copyrighted material. Engaging in such activities not only violates copyright laws but also undermines the efforts of authors, publishers, and researchers. To ensure ethical downloading, it is advisable to utilize reputable websites that prioritize the legal distribution of content. When downloading Bmw Series 3 Instruction Manual, users should also consider the potential security risks associated with online platforms. Malicious actors may exploit vulnerabilities in unprotected websites to distribute malware or steal personal information. To protect themselves, individuals should ensure their devices have reliable antivirus software installed and validate the legitimacy of the websites they are downloading from. In conclusion, the ability to download Bmw Series 3 Instruction Manual has transformed the way we access information. With the convenience, cost-effectiveness, and accessibility it offers, free PDF downloads have become a popular choice for students, researchers, and book lovers worldwide. However, it is crucial to engage in ethical downloading practices and prioritize personal security

when utilizing online platforms. By doing so, individuals can make the most of the vast array of free PDF resources available and embark on a journey of continuous learning and intellectual growth.

### **FAQs About Bmw Series 3 Instruction Manual Books**

How do I know which eBook platform is the best for me? Finding the best eBook platform depends on your reading preferences and device compatibility. Research different platforms, read user reviews, and explore their features before making a choice. Are free eBooks of good quality? Yes, many reputable platforms offer high-quality free eBooks, including classics and public domain works. However, make sure to verify the source to ensure the eBook credibility. Can I read eBooks without an eReader? Absolutely! Most eBook platforms offer webbased readers or mobile apps that allow you to read eBooks on your computer, tablet, or smartphone. How do I avoid digital eye strain while reading eBooks? To prevent digital eye strain, take regular breaks, adjust the font size and background color, and ensure proper lighting while reading eBooks. What the advantage of interactive eBooks? Interactive eBooks incorporate multimedia elements, quizzes, and activities, enhancing the reader engagement and providing a more immersive learning experience. Bmw Series 3 Instruction Manual is one of the best book in our library for free trial. We provide copy of Bmw Series 3 Instruction Manual in digital format, so the resources that you find are reliable. There are also many Ebooks of related with Bmw Series 3 Instruction Manual. Where to download Bmw Series 3 Instruction Manual online for free? Are you looking for Bmw Series 3 Instruction Manual PDF? This is definitely going to save you time and cash in something you should think about. If you trying to find then search around for online. Without a doubt there are numerous these available and many of them have the freedom. However without doubt you receive whatever you purchase. An alternate way to get ideas is always to check another Bmw Series 3 Instruction Manual. This method for see exactly what may be included and adopt these ideas to your book. This site will almost certainly help you save time and effort, money and stress. If you are looking for free books then you really should consider finding to assist you try this. Several of Bmw Series 3 Instruction Manual are for sale to free while some are payable. If you arent sure if the books you would like to download works with for usage along with your computer, it is possible to download free trials. The free guides make it easy for someone to free access online library for download books to your device. You can get free download on free trial for lots of books categories. Our library is the biggest of these that have literally hundreds of thousands of different products categories represented. You will also see that there are specific sites catered to different product types or categories, brands or niches related with Bmw Series 3 Instruction Manual. So depending on what exactly you are searching, you will be able to choose e books to suit your own need. Need to access completely for Campbell Biology Seventh Edition book? Access Ebook without any digging. And by having access to our ebook online or by storing it on your computer, you



have convenient answers with Bmw Series 3 Instruction Manual To get started finding Bmw Series 3 Instruction Manual, you are right to find our website which has a comprehensive collection of books online. Our library is the biggest of these that have literally hundreds of thousands of different products represented. You will also see that there are specific sites catered to different categories or niches related with Bmw Series 3 Instruction Manual So depending on what exactly you are searching, you will be able to choose ebook to suit your own need. Thank you for reading Bmw Series 3 Instruction Manual. Maybe you have knowledge that, people have search numerous times for their favorite readings like this Bmw Series 3 Instruction Manual, but end up in harmful downloads. Rather than reading a good book with a cup of coffee in the afternoon, instead they juggled with some harmful bugs inside their laptop. Bmw Series 3 Instruction Manual is available in our book collection an online access to it is set as public so you can download it instantly. Our digital library spans in multiple locations, allowing you to get the most less latency time to download any of our books like this one. Merely said, Bmw Series 3 Instruction Manual is universally compatible with any devices to read.

### **Find Bmw Series 3 Instruction Manual :**

**elasticity tensor dyadic and engineering approaches nicholas j pagano**

**trane yhc120 manual**

in search of andalucia a historical geographic observation of the malaga seaboard

standar upah harga tour guide

*suzuki f6a engine repair manual*

~~volvo penta shop manual sterndrive dph~~

~~bmw alpina performance portfolio 1967-1987~~

**the banks of certain rivers**

~~ecological tax reform a policy proposal for sustainable development~~

2009 audi tt cam follower manual

volvo penta service workshop manual

~~natures recipe healthy skin~~

mercruiser alpha gen 1 manual

*section 2 the kingdom fungi answer key*

novel study generic questions

**Bmw Series 3 Instruction Manual :**

**movie ticketing system database design itsourcecode com** - Jul 02 2022

web in this article we will take a look at the key features a movie ticket booking system needs to offer its high level low level design database design and some of the already

**how to design a database model for a movie theater** - Jul 14 2023

the importance of good database design in the development of a movie ticket booking system cannot be overstated a well designed database serves as the see more

**the movie database tmdb** - Feb 26 2022

web development techniques json based data persistence rest services with an oracle database the application is a simulation of a system for searching movies and theaters

**t c kültür ve turizm bakanlığı e bilet** - Jan 28 2022

web sep 7 2020 a movie ticket booking website is created in php and mysql following the principles of object oriented programming oop and model view controller mvc

**movie ticket booking system erd with database structure** - Dec 07 2022

web here are the steps to book a ticket for a show p n p align center dir auto n a target blank rel noopener noreferrer href tssovi grokking the object oriented

[github let s build from here github](#) - Apr 11 2023

web nov 1 2020 database a database is an organized collection of data generally stored and accessed electronically from a computer system description seat booking applications

*design a movie ticket booking system github* - Feb 09 2023

web payload allshortcutsenabled false filetype movie ticket booking items name compqueries sql path movie ticket *enginooby university cinema movie ticket booking system databa* - Nov 25 2021

web kombine bilet bodrum sualtı arkeoloji serçe limanı cam batığı sergi salonu e bileti kombine bilet bodrum sualtı arkeoloji serçe limanı cam batığı sergi salonu e bileti

[movie ticket booking system pdf databases scribd](#) - Oct 05 2022

web may 11 2023 movie booking system erd click to enlarge to keep things simple i have grouped this system into 4 sections users the administrator staff and customers

**tickets film wikipedia** - Dec 27 2021

web kaydol reklamsız tmdb nin tadını çıkarın kişisel bir izleme listesi tutun abone olduğunuz akış hizmetlerine göre filtreleyin ve izleyecek bir şeyler bulun İzlediğiniz filmleri dizileri

[shalinisp movie ticket booking sql github](#) - May 12 2023

a movie ticket booking database design is an essential system for any business operating in the movie industry it facilitates the management of information about see more

[movie ticket booking github](#) - Aug 03 2022

web the movie ticket booking system gives information of number of screens theaters number of seats and number of running movies in each screens it also provides details

**movie ticket booking system project in c and mysql database** - Nov 06 2022

web movie ticket booking system a dbms project that implements a movie booking system making use of php html css bootstrap and mysql what is this project about

[system design of movie ticket booking system opengenus iq](#) - Sep 04 2022

web jul 12 2022 the movie ticket booking system is a c mysql based seat and ticket reservation system that allows users to make reservations in just a few simple steps

**oracle movie ticketing application** - Apr 30 2022

web sep 25 2019 movie ticketing system database design features list of upcoming movies description about the movie list of cinema hall city ticket availability the

**free movie ticket booking database design** - Aug 15 2023

a web based movie ticket booking system is an online platform that allows users to reserve or purchase tickets for movies typically at a cinema or theater this system enables users to select their preferred movie show time seat number and the number of tickets they want to buy customers can also pay see more

[movie ticket booking website php and mysql adnantech](#) - Mar 30 2022

web aug 21 2019 an online ticket booking platform facilitates selection reservation and purchase of tickets for the movies this type of platform primarily contains information

**build a movie ticket reservation system ibm developer** - Jun 13 2023

a movie ticket booking database design is an essential system for any business operating in the movie industry it facilitates the management of information about see more

[dimple16 movie ticket booking database system github](#) - Jan 08 2023

web jan 2 2017 movie ticket system db ask question asked 6 years 8 months ago modified viewed 660 times 0 i m making a online movie reservation system on mvc and

[sql movie ticket system db stack overflow](#) - Mar 10 2023

web movie ticket booking readme md readme md movie ticket booking sql an sql based movie ticket booking system

**must features for developing a movie ticket booking platform** - Jun 01 2022

web movie ticket booking a movie tickets booking and management application using flutter and nestjs features flutter bloc pattern and rxdart rx redux stream loader

[todliche kuste ein tom dugan thriller tom dugan s harris m](#) - Feb 28 2022

web todliche kuste ein tom dugan thriller tom dugan s todliche kuste ein tom dugan thriller tom dugan s 3 downloaded from donate pfi org on 2021 11 19 by guest flaming creature edward g leffingwell 1997 creator of the notorious film flaming creatures jack smith astonished an international audience with

*amazon co uk customer reviews tödliche passage ein tom dugan thriller* - Jun 15 2023

web find helpful customer reviews and review ratings for tödliche passage ein tom dugan thriller tom dugan serie german edition at amazon com read honest and unbiased product reviews from our users

**tom dugan actor born 1889 wikipedia** - Apr 13 2023

web tom dugan 1 january 1889 7 march 1955 was an irish american film actor he appeared in more than 260 films between 1927 and 1955 he was born in dublin ireland and died in redlands california after injuries sustained in a road accident

[todliche passage ein tom dugan thriller tom dugan robert](#) - Oct 07 2022

web this online statement todliche passage ein tom dugan thriller tom dugan can be one of the options to accompany you taking into consideration having additional time it will not waste your time say you will me the e book will no question reveal you additional matter to read just invest tiny get older to admission this on line pronouncement

**tom dugan imdb** - Jan 10 2023

web tom dugan actor dave tom dugan playwright dubbed by critics a national treasure tom dugan is a popular los angeles based playwright actor who for over 25 years has been honored with many awards and nominations new york drama desk new york outer critics circle los angeles ovation los angeles drama critics circle and los angeles

[tödliche Überfahrt ein tom dugan thriller tom dugan serie](#) - Feb 11 2023

web jun 28 2016 tödliche Überfahrt ein tom dugan thriller tom dugan serie german edition ebook mcdermott r e könemann yarnell ingrid amazon ca books

[todliche passage ein tom dugan thriller tom dugan 2023](#) - Jun 03 2022

web 2 todliche passage ein tom dugan thriller tom dugan 2022 06 08 richardson bishop serving in silence robert e mcdermott over 1 600 reviews averaging 4 8 stars get the complete disruption trilogy now for one low price you ll get all 3 books of the disruption trilogy in this omnibus edition pages of pulse pounding action

*tödliche Überfahrt ein tom dugan thriller tom dugan serie* - May 14 2023

web jun 28 2016 tödliche Überfahrt ein tom dugan thriller tom dugan serie german edition kindle edition by mcdermott r e

könemann yarnell ingrid download it once and read it on your kindle device pc phones or tablets

**tödliche Überfahrt ein tom dugan thriller tom dugan serie** - Aug 17 2023

web das leben eines entführten mädchens ist in gefahr ein skrupelloser gegner der vor nichts halt macht und nur ein von der vergangenheit gequälter außenstehender kann sie retten brutale menschenhändler verstrickt in einem undurchsichtigen netz von tücke und verrat stehen zwischen tom dugan und dem opfer

**todliche passage ein tom dugan thriller tom dugan pdf** - May 02 2022

web todliche passage ein tom dugan thriller tom dugan 5 5 his partner and best friend struggle to ransom their ship and crew from murderous somali pirates things take a turn for the worse a us navy contracted tanker with a full load of jet fuel is also hijacked not by garden variety pirates but by terrorists with links to al qaeda

*download solutions todliche passage ein tom dugan thriller tom dugan* - Aug 05 2022

web crossing deadly straits for tom clancy and w e b griffin fans mar 20 2023 in the tradition of clancy griffin and cussler newcomer r e mcdermott delivers a thriller to rival the masters when consultant and very part time spook tom dugan finds himself becoming collateral damage in the war on terror he s not about to take it lying down

**tödliche passage ein tom dugan thriller tom dugan serie** - Sep 18 2023

web tödliche passage ein tom dugan thriller tom dugan serie german edition ebook mcdermott re könemann yarnell ingrid amazon in kindle store

**todliche passage ein tom dugan thriller tom dugan pdf pdf** - Dec 09 2022

web reluctantly dugan agrees to go undercover in alex s company despite doubts about his friend s guilt once undercover dugan s steadfast refusal to accept alex s guilt puts him at odds with both his cia handlers and a beautiful british agent with whom he s working when a tanker is found adrift near singapore with a dead

**tom dugan books in order 3 book series most** - Mar 12 2023

web tom dugan is a series of 3 books written by re mcdermott here you can see them all in order plus the year each book was published as an amazon associate we earn money from purchases made through links in this page home series tom dugan books in order total 3 books 1 deadly straits tom dugan book 1

**todliche passage ein tom dugan thriller tom dugan** - Sep 06 2022

web das buch bietet eine lose lustige sammlung von trouvailles fakten und anekdoten rund um kino und film es ist ein buch zum durchblättern zum zwischendurchlesen und stöbern

**todliche passage ein tom dugan thriller tom dugan 2023** - Jul 16 2023

web todliche passage ein tom dugan thriller tom dugan the trouble with perfect nov 07 2020 strange things are happening in the town that used to be perfect things are being stolen then children start going missing too and everyone is blaming violet s

best friend boy but boy s not bad is he

[todliche kuste ein tom dugan thriller tom dugan s](#) - Nov 08 2022

web mord das opfer eine junge hochschwangere frau ihre identität unbekannt tom stilton der ermittelnde polizeibeamte zerbricht an diesem fall er kann weder motiv noch aussagekräftige spuren finden die tat bleibt ungesühnt 23 jahre später eine serie von feigen angriffen auf obdachlose erschüttert die hauptstadt stockholm

[todliche passage ein tom dugan thriller tom dugan](#) - Apr 01 2022

web jul 14 2023 todliche passage ein tom dugan thriller tom dugan 1 1 downloaded from uniport edu ng on july 14 2023 by guest todliche passage ein tom dugan thriller tom dugan eventually you will completely discover a other experience and feat by spending more cash yet when realize you take that you require to get those

**[todliche passage ein tom dugan thriller tom dugan 2022](#)** - Jul 04 2022

web 2 todliche passage ein tom dugan thriller tom dugan 2023 10 02 todliche passage ein tom dugan thriller tom dugan downloaded from 2013 thecontemporaryaustin org by guest tyrone erick the tom dugan omnibus imajin books cadence lightbringer daughter of a legendary archangel has always known her gods endowed magic comes

[tödliche passage ein tom dugan thriller tom dugan serie](#) - Oct 19 2023

web oder für 4 99 kaufen ein terrorangriff der die welt in atem hält eine tödliche verschwörung die das gleichgewicht der macht auf dauer negativ beeinflussen will ein unschuldiger mann unrechtmäßig der entführung seiner eigenen tochter bezichtigt

[einsame liebe so kommen sie über eine nicht erwiderte liebe](#) - Nov 24 2021

web einsame liebe so kommen sie über eine nicht erwiderte liebe hinweg german edition by george f r martins march 7th 2020 sie ber sind an unserem angebot interessiert

[einsame liebe so kommen sie a ber eine nicht erwi pdf pdf](#) - Apr 10 2023

web jul 10 2023 this online statement einsame liebe so kommen sie a ber eine nicht erwi pdf can be one of the options to accompany you later having other time it will not

[erste liebe novelle wörterbücher und enzyklopädien auf der](#) - Aug 02 2022

web erste liebe russ pervaja ljubov Первая любовь ist eine 1860 erschienene erzählung des russischen schriftstellers iwan turgenew der zu den bedeutendsten europäischen

[erste liebe insel taschenbuch amazon de](#) - May 31 2022

web verifizierter kauf turgenjews novelle erste liebe erschien vor 150 jahren und beschreibt die verliebtheit die erste liebe eines sechszehnjährigen in eine um fünf jahre ältere

[einsame liebe so kommen sie über eine nicht erwiderte liebe](#) - Dec 26 2021

web einsame liebe so kommen sie über eine nicht erwiderte liebe hinweg german edition by george f r martins ich liebe es einfach englisch bersetzung linguae gedichte ber

*einsame liebe so kommen sie über eine nicht erwiderte liebe* - Mar 29 2022

web einsame liebe so kommen sie über eine nicht erwiderte liebe hinweg german edition by george f r martins march 7th 2020 sie ber sind an unserem angebot interessiert

einsame liebe so kommen sie a ber eine nicht erwi full pdf - Oct 04 2022

web 2 einsame liebe so kommen sie a ber eine nicht erwi 2022 08 09 feuer im schloss penguin uk lydia beale wird überredet einen mann zu heiraten der soeben zu

**einsame liebe so kommen sie über eine nicht erwiderte liebe** - Jun 12 2023

web einsame liebe so kommen sie über eine nicht erwiderte liebe hinweg german edition by george f r martins xxl familie ihr zuhause ist die liebe berliner kurier de ber

**einsame liebe so kommen sie a ber eine nicht erwi full pdf** - Mar 09 2023

web currently this einsame liebe so kommen sie a ber eine nicht erwi as one of the most committed sellers here will unconditionally be in the course of the best options to

einsame liebe so kommen sie a ber eine nicht erwi leopold - Aug 14 2023

web einsame liebe so kommen sie a ber eine nicht erwi einsame liebe so kommen sie a ber eine nicht erwi 2 downloaded from rjonline org on 2021 05 06 by guest freundin

*einsame liebe so kommen sie über eine nicht erwiderte liebe* - May 11 2023

web einsame liebe so kommen sie über eine nicht erwiderte liebe hinweg german edition by george f r martins 20 cent sie berweist und ber weist und als gehalt und erspartes

**eine liebe song and lyrics by kindervomuniversum spotify** - Dec 06 2022

web listen to eine liebe on spotify kindervomuniversum song 1998 kindervomuniversum song 1998 listen to eine liebe on spotify kindervomuniversum song 1998 sign

einsame liebe so kommen sie über eine nicht erwiderte liebe - Nov 05 2022

web jun 26 2023 einsame liebe so kommen sie über eine nicht erwiderte liebe hinweg german edition by george f r martins in the trajectory of them is this einsame liebe

*erste liebe von iwan turgenjew bei lovelybooks liebesroman* - Sep 03 2022

web diese autobiographisch gefärbte 1860 erschienene novelle erzählt von der unglücklichen liebe eines 16 jährigen zu einer fünf jahre älteren frau welche ihrerseits unglücklich in

einsame liebe so kommen sie über eine nicht erwiderte liebe - Jan 27 2022

web april 28th 2020 die küste ist unerreichbar fern und die haie kommen immer näher auf einmal fällt die berliner mauer und deine welt ist nicht mehr so wie sie einmal war

*einsame liebe so kommen sie über eine nicht erwiderte liebe* - Feb 25 2022

web einsame liebe so kommen sie über eine nicht erwiderte liebe hinweg german edition by george f r martins das lied der lieder archiv fluchhafen ber berlin brandenburg

[einsame liebe so kommen sie a ber eine nicht erwi pdf 2023](#) - Jan 07 2023

web jun 9 2023 einsame liebe so kommen sie a ber eine nicht erwi pdf is available in our digital library an online access to it is set as public so you can get it instantly our

**einsame liebe so kommen sie über eine nicht erwiderte liebe** - Sep 22 2021

web einsame liebe so kommen sie über eine nicht erwiderte liebe hinweg german edition by george f r martins ber den vorkasse betrug mit russischen frauen ein may 1st

**einsame liebe so kommen sie über eine nicht erwiderte liebe** - Oct 24 2021

web einsame liebe so kommen sie über eine nicht erwiderte liebe hinweg german edition by george f r martins darum solltest du frauen bei der selbstbefriedigung gedichte

**einsame liebe so kommen sie über eine nicht erwiderte liebe** - Apr 29 2022

web may 1st 2020 ich liebe es wie die leute einfach mit so viel energie kommen und sie verlieren sobald sie das flugzeug verlassen niemand will etwas anderes als eine

*einsame liebe so kommen sie a ber eine nicht erwi full pdf* - Feb 08 2023

web as this einsame liebe so kommen sie a ber eine nicht erwi it ends stirring visceral one of the favored books einsame liebe so kommen sie a ber eine nicht erwi

**die liebe kommt selten allein wikipedia** - Jul 01 2022

web wolfgang grindemann kellner die liebe kommt selten allein ist eine deutsche fernseh komödie aus dem jahr 2006 von jan růžicka die hauptrollen in dieser geschichte

**einsame liebe so kommen sie über eine nicht erwiderte liebe** - Jul 13 2023

web jun 25 2023 einsame liebe so kommen sie über eine nicht erwiderte liebe hinweg german edition by george f r martins is at hand in our pdf accumulation an online