

Print

Change

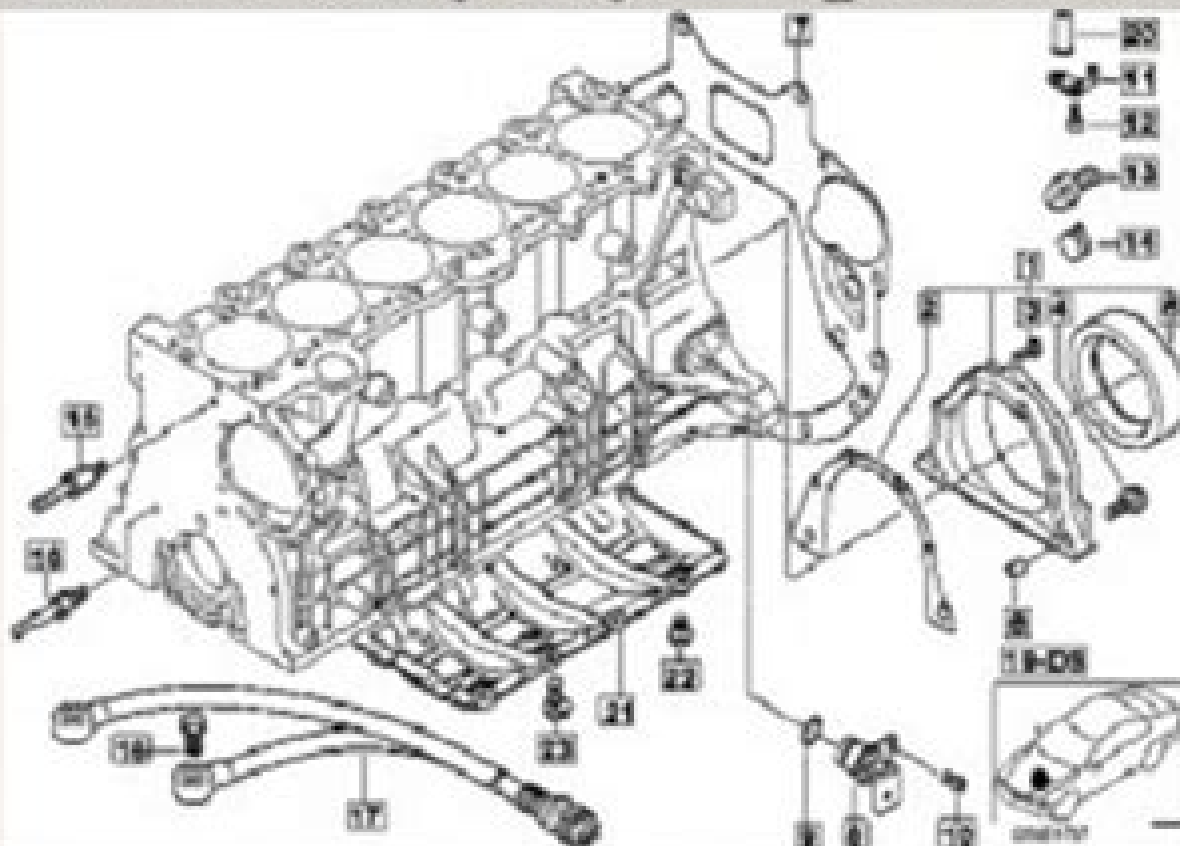
Quit

Services

Vehicle ID

Help

BMW Parts Catalog - Diagrams 11_2167 ENGINE BLOCK MOUNTING PARTS



Qty	Part No.	

Parts Search

To Parts List

Parts Information

Part Kits

Production Date

Previous Main Group

Next Main Group

Previous Diagram

Next Diagram

Change View/Display

Accessories

Delete Part No.

Transfer List to CMS

No.	Description	Supplement	Qty	From	Up To	Car	Tr	St	CV	Part Number	Alt	R	TI
ONLY APPLIES TO S035A AUTOMATIC TRANSMISSION													
34	SEALING COVER									11 14 1 730 453			
15	BEARING BOLT		1							11 20 1 740 817		1	

VW:

System: 7 E46

Model: 306 SEDAN ECE

Year/Month: 2001/12

Transmission: M Steuving 1



Bmw Service Repair Manuals

Martynn Randall



Bmw Service Repair Manuals:

BMW 3- & 5-Series Service and Repair Manual ,2013 **BMW 3-series Service and Repair Manual** Mark Coombs,Steve Rendle,1996 **BMW 5 Series Diesel (03-09) 52 to 10** Martynn Randall,2011 BMW 5 Series Saloon E60 and Touring E61 with 4 6 cylinder turbo diesel engines 520d 525d 530d 2 0 litre 1995cc 2 5 litre 2497cc 3 0 litre 2993cc turbo diesel Does NOT cover petrol models 535d twin turbo diesel models or models with xDrive transmission Does NOT cover new 5 Series F10 F11 range introduced during 2010 **BMW 3- & 5-series Service and Repair Manual** Andrew K. Legg,Larry Warren,1998 BMW 3 Saloon Touring Saloon 81 88 up to F 5 Series E34 518i 520i 525i 530i 535i Saloon Touring 88 91 F to J Does NOT cover models with DOHC V8 or Diesel engines or 4x4 For other 3 5 series models see manuals no 0276 0632 0815 1560 or 3210 Petrol 1 6 litre 1596cc 1 8 litre 1766 1795cc 2 0 litre 1990cc 2 5 litre 2494cc 2 8 litre 2788cc 3 0 litre 2986cc 3 5 litre 3430cc SOHC **BMW 7 Series Service Manual** ,1999 BMW repair manuals The ultimate service manuals Bentley manuals are the only comprehensive single source of service information and specifications available for BMW cars These manuals provide the highest level of clarity and completeness for all service and repair procedures Enthusiasts do it yourselfers and professional technicians will appreciate the quality of photographs and illustrations theory of operation and accurate step by step instructions If you are looking for better understanding of your BMW look no further than Bentley Even if you do not repair your own vehicle knowledge of its internal workings will help you when discussing repairs and maintenance with your professional automotive technician *B. M. W.3 Series Service and Repair Manual* Peter G. Strasman,1995 **Service and Repair Manual for BMW 1 Series** Martynn Randall,2011 Hatchback and Coupe models with 4 cylinder petrol and diesel engines 1 6 litre 1596cc and 2 0 litre 1995cc petrol engines 2 0 litre 1995cc diesel engine Does not cover 2 5 or 3 0 litre engines or features specific to Convertible **Popular Mechanics Complete Car Care Manual** Popular Mechanics,2008 Vehicle maintenance **BMW 4 Series (F32, F33, F36) Service Manual** Robert Bentley,2017-01-11 The BMW 4 Series Service Manual 2014 2016 contains in depth maintenance service and repair information for the BMW 4 Series from 2014 to 2016 The aim throughout has been simplicity and clarity with practical explanations step by step procedures and accurate specifications Whether you re a professional or a do it yourself BMW owner this manual helps you understand care for and repair your 4 Series The do it yourself BMW owner will find this manual indispensable as a source of detailed maintenance and repair information Even if you have no intention of working on your vehicle you will find that reading and owning this manual makes it possible to discuss repairs more intelligently with a professional technician Features Maintenance procedures from changing the cabin microfilter to replacing and registering a new battery This manual tells you what to do and how and when to do it Front to rear fluid and lubricant service including xDrive transfer case fluid and ATF Cylinder head cover gasket and crankshaft seal replacement Cooling system thermostat and radiator service Gasoline fuel and ignition system diagrams and explanations for turbo valvetronic direct injection TVDI

engines Service and repair information on BMW EfficientDynamics technology such as Valvetronic xDrive TwinPower turbo and DSC dynamic stability control Twin scroll gasoline turbocharger replacement for 4 and 6 cylinder engines Step by step variable camshaft timing VANOS service Suspension repairs including wheel bearing replacement Brakes steering and ABS troubleshooting and repair Heating and air conditioning repair including A C component replacement Body and lid repairs and adjustments including Gran Coupe tailgate and rear doors Retractable hardtop service including electrical mechanical and hydraulic component operation locations and replacement Electrical system service with an easy to use illustrated component locator section Comprehensive wiring schematics including fuses and grounds BMW OBD II diagnostic trouble codes SAE defined OBD II P codes as well as basic scan tool operation BMW factory tolerances wear limits adjustments and tightening torques Engines N20 engine 428i including xDrive N26 SULEV engine 428i including xDrive N55 engine 435i including xDrive Manual transmissions GS6 17BG 4 cylinder models GS6 45BZ 6 cylinder models RWD GS6X 45BZ 6 cylinder models with xDrive Automatic transmissions ZF GA8HP45Z

BMW 3 Series Martynn Randall, 2011 With a Haynes manual you can do it yourself from simple maintenance to basic repairs Haynes writes every book based on a complete teardown of the vehicle We learn the best ways to do a job and that makes it quicker easier and cheaper for you Our books have clear instructions and hundreds of photographs that show each step Whether you re a beginner or a pro you can save big with Haynes Step by step procedures Easy to follow photos Complete troubleshooting section Valuable short cuts Color spark plug diagnosis Complete coverage for all models of your Nissan Sentra from 2007 through 2012 Routine Maintenance Tune up procedures Engine repair Cooling and heating Air Conditioning Fuel and exhaust Emissions control Ignition Brakes Suspension and steering Electrical systems Wiring diagrams

[BMW 5 Series \(E28\) Service Manual 1982, 1983, 1984, 1985, 1986, 1987 1988](#) Bentley Publishers, 1991-01-01 The BMW 5 Series E28 Service Manual 1982 1988 is a comprehensive single source of service information and specifications for BMW 5 Series E28 cars from 1982 1988 Whether you re a professional technician or a do it yourself BMW owner this manual will help you understand maintain and repair systems on 5 Series cars BMW E28 Models and engines covered in this BMW repair manual 528e B27 2 7 liter 533i B32 3 2 liter 535i B34 3 5 liter 535is B34 3 5 liter BMW E28 Transmissions covered in this BMW repair manual Getrag 260 with integral bellhousing Getrag 265 with removable bellhousing Technical features Complete preventive maintenance procedures from the yearly brake fluid change to resetting the oil service indicator and oxygen sensor lights This manual tells you what to do how and when to do it and why it s important Many of the maintenance recommendations exceed factory recommended service intervals and are designed to extend your BMW s service life Detailed troubleshooting and repair information for these Bosch fuel injection and engine management systems Motronic 528e 533i 535i 535is and Motronic 1 1 528e from March 1987 This Motronic 1 1 service information is not covered in BMW s factory repair manual Comprehensive Engine Management information for specific BMW 5 Series driveability problems including troubleshooting electronically controlled

idle speed faults that are frequently misdiagnosed Troubleshooting tips with fast proven repair procedures used by BMW technicians and specialists Critical updates and hard to find information from dealer service bulletins such as how to replace the camshaft timing belt sprocket and tensioner with the correct Z 127 update and cylinder head bolt replacement on 528e models Large easy to read wiring schematics for major circuits along with a full listing of ground points connector and splice locations and electronic component locations Procedures and specifications for rebuilding engines and manual transmissions

Subject Guide to Books in Print ,2001 Glenn's Foreign Car Repair Manual Harold T. Glenn,1963 *Unbeatable BMW* Jeremy Walton,1998 *Unbeatable BMW* is the comprehensive history of BMW competition from 1917 through 1997 The first edition of *Unbeatable BMW* became a cult classic among enthusiasts but its coverage was restricted to the years 1959-79 Now this astounding story has been massively expanded by the author in a hardcover format richly illustrated in full color Jeremy Walton weaves together the tale of BMW's engineering know how daredevil drivers inimitable team leaders and the cars they championed and drove to the winner's circle Behind BMW's envied reputation and the whirling propeller badge are such legends as the prewar BMW 328 sports cars and the 1990s 200 m p h McLaren BMW V12s *Unbeatable BMW* also gives first hand tales of BMW's aviation and motorcycling deeds Included are gripping accounts of the preparation and track side action for such emotive winners as the diminutive BMW 700 coupes to the 1800 Tisa and 2002s Walton sweeps through the 1970s Batmobile 3 0 CSL lightweight racing coupes then explores the best selling 3 series in every race category Walton also covers the unexpected success of the 5 and 6 series the latter against Jaguar *Unbeatable BMW* recalls the establishment of BMW's Motorsport division and the thrill of the first M Powered cars From M1 onward the author details the burgeoning M brand how MPower won the first world title for a turbocharged car 1983 and the years as the backbone of European Formula 2 The book's 582 pages are packed with detail to thrill the heart of the most ardent BMW fan from meticulous photo captions listing car driver and race date to six appendices covering the competition cars since 1960 drivers accomplishments and powerplant specifications In short if BMW has raced rallied or flown their products in competition *Unbeatable BMW* gives the full behind the scenes story in this compelling account of the marque's motorsports history

Service and Repair Manual for BMW 3- & 5-Series A. K. Legg,2013 **Library of Congress Catalog** Library of Congress,1970 **The National Union Catalogs, 1963-** ,1964 BMW R1200 dohc Twins Editors of Haynes,2016-07-15 Complete coverage for your BMW R1200 dohc Twins for 2010 thru 2012 Routine Maintenance and servicing Tune up procedures Engine clutch and transmission repair Cooling system Fuel and exhaust Ignition and electrical systems Brakes wheels and tires Steering suspension and final drive Frame and bodywork Wiring diagrams Reference Section With a Haynes manual you can do it yourself from simple maintenance to basic repairs Haynes writes every book based on a complete teardown of the vehicle We learn the best ways to do a job and that makes it quicker easier and cheaper for you Our books have clear instructions and hundreds of photographs that show each step Whether you're a beginner or a pro you can save big with Haynes Step by step

procedures Easy to follow photos Complete troubleshooting section Valuable short cuts Color spark plug diagnosis Complete Maintenance and repair information **Saab 900, 16 Valve Official Service Manual, 1985-1993** Bentley, Bentley Publishers, 1993 These official Saab manuals are the only factory authorized comprehensive single source of service information and specifications available Whether you re a professional technician or a do it yourselfer these manuals will help you understand care for and repair your Saab Everything from fundamental automotive concepts and maintenance procedures to complex electrical system troubleshooting and complete engine overhaul is clearly explained Critical updates and information from the Saab Service Information Manual the Parts Service Information System and Saab Service Training have been included as well as fast proven repair procedures and tips used by Saab technicians *Library of Congress Catalogs* Library of Congress, 1976

Unveiling the Power of Verbal Beauty: An Psychological Sojourn through **Bmw Service Repair Manuals**

In a world inundated with displays and the cacophony of instant transmission, the profound energy and emotional resonance of verbal art usually diminish in to obscurity, eclipsed by the constant onslaught of noise and distractions. Yet, nestled within the musical pages of **Bmw Service Repair Manuals**, a charming work of literary beauty that pulses with raw feelings, lies an wonderful journey waiting to be embarked upon. Penned by way of a virtuoso wordsmith, that mesmerizing opus courses viewers on an emotional odyssey, softly revealing the latent potential and profound influence stuck within the delicate internet of language. Within the heart-wrenching expanse with this evocative analysis, we shall embark upon an introspective exploration of the book is main themes, dissect its charming publishing design, and immerse ourselves in the indelible effect it leaves upon the depths of readers souls.

https://new.webyeshiva.org/book/browse/Documents/big_dog_motorcycle_repair_manual.pdf

Table of Contents Bmw Service Repair Manuals

1. Understanding the eBook Bmw Service Repair Manuals
 - The Rise of Digital Reading Bmw Service Repair Manuals
 - Advantages of eBooks Over Traditional Books
2. Identifying Bmw Service Repair Manuals
 - Exploring Different Genres
 - Considering Fiction vs. Non-Fiction
 - Determining Your Reading Goals
3. Choosing the Right eBook Platform
 - Popular eBook Platforms
 - Features to Look for in an Bmw Service Repair Manuals
 - User-Friendly Interface
4. Exploring eBook Recommendations from Bmw Service Repair Manuals
 - Personalized Recommendations

- Bmw Service Repair Manuals User Reviews and Ratings
- Bmw Service Repair Manuals and Bestseller Lists
- 5. Accessing Bmw Service Repair Manuals Free and Paid eBooks
 - Bmw Service Repair Manuals Public Domain eBooks
 - Bmw Service Repair Manuals eBook Subscription Services
 - Bmw Service Repair Manuals Budget-Friendly Options
- 6. Navigating Bmw Service Repair Manuals eBook Formats
 - ePub, PDF, MOBI, and More
 - Bmw Service Repair Manuals Compatibility with Devices
 - Bmw Service Repair Manuals Enhanced eBook Features
- 7. Enhancing Your Reading Experience
 - Adjustable Fonts and Text Sizes of Bmw Service Repair Manuals
 - Highlighting and Note-Taking Bmw Service Repair Manuals
 - Interactive Elements Bmw Service Repair Manuals
- 8. Staying Engaged with Bmw Service Repair Manuals
 - Joining Online Reading Communities
 - Participating in Virtual Book Clubs
 - Following Authors and Publishers Bmw Service Repair Manuals
- 9. Balancing eBooks and Physical Books Bmw Service Repair Manuals
 - Benefits of a Digital Library
 - Creating a Diverse Reading Collection Bmw Service Repair Manuals
- 10. Overcoming Reading Challenges
 - Dealing with Digital Eye Strain
 - Minimizing Distractions
 - Managing Screen Time
- 11. Cultivating a Reading Routine Bmw Service Repair Manuals
 - Setting Reading Goals Bmw Service Repair Manuals
 - Carving Out Dedicated Reading Time
- 12. Sourcing Reliable Information of Bmw Service Repair Manuals
 - Fact-Checking eBook Content of Bmw Service Repair Manuals

- Distinguishing Credible Sources
- 13. Promoting Lifelong Learning
 - Utilizing eBooks for Skill Development
 - Exploring Educational eBooks
- 14. Embracing eBook Trends
 - Integration of Multimedia Elements
 - Interactive and Gamified eBooks

Bmw Service Repair Manuals Introduction

Free PDF Books and Manuals for Download: Unlocking Knowledge at Your Fingertips In today's fast-paced digital age, obtaining valuable knowledge has become easier than ever. Thanks to the internet, a vast array of books and manuals are now available for free download in PDF format. Whether you are a student, professional, or simply an avid reader, this treasure trove of downloadable resources offers a wealth of information, conveniently accessible anytime, anywhere. The advent of online libraries and platforms dedicated to sharing knowledge has revolutionized the way we consume information. No longer confined to physical libraries or bookstores, readers can now access an extensive collection of digital books and manuals with just a few clicks. These resources, available in PDF, Microsoft Word, and PowerPoint formats, cater to a wide range of interests, including literature, technology, science, history, and much more. One notable platform where you can explore and download free Bmw Service Repair Manuals PDF books and manuals is the internet's largest free library. Hosted online, this catalog compiles a vast assortment of documents, making it a veritable goldmine of knowledge. With its easy-to-use website interface and customizable PDF generator, this platform offers a user-friendly experience, allowing individuals to effortlessly navigate and access the information they seek. The availability of free PDF books and manuals on this platform demonstrates its commitment to democratizing education and empowering individuals with the tools needed to succeed in their chosen fields. It allows anyone, regardless of their background or financial limitations, to expand their horizons and gain insights from experts in various disciplines. One of the most significant advantages of downloading PDF books and manuals lies in their portability. Unlike physical copies, digital books can be stored and carried on a single device, such as a tablet or smartphone, saving valuable space and weight. This convenience makes it possible for readers to have their entire library at their fingertips, whether they are commuting, traveling, or simply enjoying a lazy afternoon at home. Additionally, digital files are easily searchable, enabling readers to locate specific information within seconds. With a few keystrokes, users can search for keywords, topics, or phrases, making research and finding relevant information a breeze. This efficiency saves time and effort, streamlining the learning process and allowing individuals to focus on extracting the information they

need. Furthermore, the availability of free PDF books and manuals fosters a culture of continuous learning. By removing financial barriers, more people can access educational resources and pursue lifelong learning, contributing to personal growth and professional development. This democratization of knowledge promotes intellectual curiosity and empowers individuals to become lifelong learners, promoting progress and innovation in various fields. It is worth noting that while accessing free Bmw Service Repair Manuals PDF books and manuals is convenient and cost-effective, it is vital to respect copyright laws and intellectual property rights. Platforms offering free downloads often operate within legal boundaries, ensuring that the materials they provide are either in the public domain or authorized for distribution. By adhering to copyright laws, users can enjoy the benefits of free access to knowledge while supporting the authors and publishers who make these resources available. In conclusion, the availability of Bmw Service Repair Manuals free PDF books and manuals for download has revolutionized the way we access and consume knowledge. With just a few clicks, individuals can explore a vast collection of resources across different disciplines, all free of charge. This accessibility empowers individuals to become lifelong learners, contributing to personal growth, professional development, and the advancement of society as a whole. So why not unlock a world of knowledge today? Start exploring the vast sea of free PDF books and manuals waiting to be discovered right at your fingertips.

FAQs About Bmw Service Repair Manuals Books

1. Where can I buy Bmw Service Repair Manuals books? Bookstores: Physical bookstores like Barnes & Noble, Waterstones, and independent local stores. Online Retailers: Amazon, Book Depository, and various online bookstores offer a wide range of books in physical and digital formats.
2. What are the different book formats available? Hardcover: Sturdy and durable, usually more expensive. Paperback: Cheaper, lighter, and more portable than hardcovers. E-books: Digital books available for e-readers like Kindle or software like Apple Books, Kindle, and Google Play Books.
3. How do I choose a Bmw Service Repair Manuals book to read? Genres: Consider the genre you enjoy (fiction, non-fiction, mystery, sci-fi, etc.). Recommendations: Ask friends, join book clubs, or explore online reviews and recommendations. Author: If you like a particular author, you might enjoy more of their work.
4. How do I take care of Bmw Service Repair Manuals books? Storage: Keep them away from direct sunlight and in a dry environment. Handling: Avoid folding pages, use bookmarks, and handle them with clean hands. Cleaning: Gently dust the covers and pages occasionally.

5. Can I borrow books without buying them? Public Libraries: Local libraries offer a wide range of books for borrowing. Book Swaps: Community book exchanges or online platforms where people exchange books.
6. How can I track my reading progress or manage my book collection? Book Tracking Apps: Goodreads, LibraryThing, and Book Catalogue are popular apps for tracking your reading progress and managing book collections. Spreadsheets: You can create your own spreadsheet to track books read, ratings, and other details.
7. What are Bmw Service Repair Manuals audiobooks, and where can I find them? Audiobooks: Audio recordings of books, perfect for listening while commuting or multitasking. Platforms: Audible, LibriVox, and Google Play Books offer a wide selection of audiobooks.
8. How do I support authors or the book industry? Buy Books: Purchase books from authors or independent bookstores. Reviews: Leave reviews on platforms like Goodreads or Amazon. Promotion: Share your favorite books on social media or recommend them to friends.
9. Are there book clubs or reading communities I can join? Local Clubs: Check for local book clubs in libraries or community centers. Online Communities: Platforms like Goodreads have virtual book clubs and discussion groups.
10. Can I read Bmw Service Repair Manuals books for free? Public Domain Books: Many classic books are available for free as they're in the public domain. Free E-books: Some websites offer free e-books legally, like Project Gutenberg or Open Library.

Find Bmw Service Repair Manuals :

[big dog motorcycle repair manual](#)

[bible study templates](#)

[big data at work](#)

bffs best frenemies forever series urban books

bijoy 2000 user guide

[bigger better morethe art of viola frey](#)

[big ideas math green grade 6](#)

big world small planet abundance within planetary boundaries

bhabi pregnant kaise hoti

[bigger rebuilding the broken morgan james faith](#)

[big ideas math green teaching manual](#)

~~bibliographie german gert ueding~~

~~bijbel voor de jeugd deel xi job judith en tobias~~

bible bowl quiz on galatians

~~bicycle the penguin book of the~~

Bmw Service Repair Manuals :

freecranespecs com kato nk 500b v crane - Jun 04 2022

crane specifications load charts and crane manuals are for reference only and are not to be used by the crane operator to operate any type of crane telehandler lift truck or aerial

kato nk 500 e v crane load chart specs 1996 2011 - Apr 14 2023

kato hydraulic crane nk 500e v selected dimensions boom i min height max raise angle 15 m j max height max raise angle no jib 43 m k min working radius 3m l max

kato nk 500e v specifications cranemarket com - Mar 01 2022

kato nk500e iii load chart specification cranepedia - Nov 28 2021

nk 500e v catalog pdf pdf scribd - Jun 16 2023

2023 xcmg xct20 20 ton 6x4 hydraulic truck crane unused view updated kato nk500e v hydraulic truck crane specs get dimensions size weight detailed specifications and

kato nk 500e v crane service manual - Jul 05 2022

types of cranes lifts cranes hoists material handlers 2864 all terrain cranes 436 articulating knuckle boom cranes 182 boom trucks 357 manuals accessories

kato nk 500e iii specifications cranemarket - Nov 09 2022

select crane sales delivers 2022 demag ac 300 6 to rossco crane rigging liebherr works together lrt 1100 2 1 crane helps assemble liebherr t 264 mining truck crane

freecranespecs com kato nk 500e v crane - Jul 17 2023

manual crane kato nk 500e v kato sr 300l 300ls 700l 700ls service manual size 79 8mb type pdf language for kato or tadano crane kato nk 300e v fully hydraulic

truck cranes kato nk 500e iii specifications cranemarket - Aug 06 2022

types of cranes lifts cranes hoists material handlers 2866 all terrain cranes 436 articulating knuckle boom cranes 182 boom

trucks 357 manuals accessories

[kato nk 500e v trucks cranes nl](#) - Sep 07 2022

kato nk 500e v truck crane service manual post category vip access this content is for vip membership one month full access vip membership three months full access

[kato nk 500b v specifications cranemarket](#) - Dec 30 2021

kato nk 500e v truck crane service manual - Apr 02 2022

kato nk 500e v since 1895 kato is a japanese manufacturer of rough terrain all terrain city cranes and telescopic boom truck cranes additionally kato has a product line of

kato crane operators manual pdf crane machine - May 15 2023

title mc nk 500e 3 pdf author admin 2 created date 12 19 2007 5 50 46 pm

kato nk500e v load chart specification cranepedia - Aug 18 2023

of 8 nk 500e v fully hydraulic truck crane maximum rated lifting capacity 50 5t maximum boom length 40m maximum jib length 15m maximum lifting height 38 8m

kato nk 500e v truck crane service manual - Dec 10 2022

download 16 file size 35 mb enter correct password to download product code kato 0017 if you already purchase this product please check your dashboard for

truck cranes kato nk 500e v specifications cranemarket - Oct 28 2021

mc nk 500e 3 crane network - Feb 12 2023

the jib can be mounted to the main boom under a 5 17 or 30 degree angle in this configuration is the crane able to hoist 2 5 tonnes the outrigger base measures 5 6 x 7 2 meters or half

kato crane nk 350 nk 500 nk 500m e v service part - May 03 2022

xcmg hails the new xct110 1 as king of performance read about kato nk500e iii and explore the information provided in hydraulic truck crane get a brief overview of

kato nk 500e v specifications cranemarket - Sep 19 2023

home searching kato nk 500e v specs kato nk 500e v 1 pdf kato nk 500e v 2 pdf cranes for sale on cranenetwork com link belt fmc 145 price 21 000 view details

[kato hydraulic crane nk 500e v selected dimensions](#) - Jan 11 2023

the kato nk 500e iii is a four axle 8 x4 telescopic boom truck crane mounted on a mitsubishi k503lk3 carrier this crane has a

50 5 metric ton lifting capacity and features a 40 m main

kato nk500e v hydraulic truck crane ritchiespecs - Mar 13 2023

truck mounted crane kato nk 500e v spare parst catalog ktw02 029 nk 500e v truck mounted crane kato nk 500e v instruction manual ktw02 030 nk 500m iii truck

kato nk 500e v specifications cranemarket com - Jan 31 2022

kato crane manual and catalog sudoremont com ua - Oct 08 2022

size 107 mb format pdf language english brand kato type of machine kato crane type of document service part maintenance manual model kato rough terrain crane nk 350 nk

the best places to kiss in hawaii a romantic trav bruce lee - Nov 11 2022

web sep 28 2023 the best places to kiss in hawaii a romantic trav is available in our book collection an online access to it is set as public so you can download it instantly our

[the best places to kiss in hawaii a romantic trav pdf](#) - Sep 28 2021

best places to visit in hawaii for couples 35 romantic things to do - May 17 2023

web the best places 2 kiss in hawaii a romantic travel guide 1 509 likes 21 talking about this obviously this place is for lovers of hawai i nei

the best places 2 kiss in hawaii a romantic travel guide - Apr 16 2023

web the best places to kiss in hawaii a romantic trav the best places to kiss in the northwest best places to kiss in the northwest the best places to kiss in hawaii the

the best places to kiss in hawaii a romantic trav uniport edu - Nov 30 2021

web sep 18 2023 this the best places to kiss in hawaii a romantic trav as one of the most involved sellers here will enormously be accompanied by the best options to review

the best places to kiss in hawaii a romantic trav download - Mar 03 2022

web aug 10 2022 find many great new used options and get the best deals for the best places to kiss in hawaii a romantic trav at the best online prices at ebay

the best places to kiss in hawaii a romantic trav - Feb 14 2023

web 5 oahu kahana bay this is a quiet cove on the windward coast that is a great place to spend a romantic afternoon it is tucked in among the green and soaring ko olau

[the best places to kiss in hawaii a romantic trav pdf](#) - Jun 06 2022

web hawaii a romantic trav thank you for downloading the best places to kiss in hawaii a romantic trav as you may know people have look numerous times for their favorite

the best places to kiss in hawaii a romantic trav copy - Oct 30 2021

web jun 27 2023 the best places to kiss in hawaii a romantic trav 2 5 downloaded from uniport edu ng on june 27 2023 by guest the best places to kiss in the northwest

the best places to kiss in hawaii a romantic trav ebay - Feb 02 2022

web oct 15 2023 myth 5 men want sex more than women do desire discrepancy is the no 1 problem i deal with in my practice and by no means is the higher desire partner always

the best places to kiss in hawaii a romantic trav - Jun 18 2023

web the best places to kiss in hawaii a romantic trav here are the best places to go on safari outside of africa oct 17 2021

web mar 5 2023 the great white north is vast and

the best places to kiss in hawaii a romantic trav copy 2013 - Jul 19 2023

web the darkest kiss the best places to kiss in hawaii white hot kiss i kissed shara wheeler the biggest kiss the best places to kiss in the northwest the best places

the best places to kiss in hawaii a romantic trav uniport edu - Oct 10 2022

web may 27 2023 the best places to kiss in the northwest laura kraemer 2003 10 29 this popular guide to the most romantic travel destinations in the northwest has been

the 10 most romantic places in hawaii exotic estates - Jan 13 2023

web nov 6 2019 kaanapali beach west maui best places to stay located on the west side of maui about three miles north of lahaina town kaanapali beach is regularly voted as

the best places to kiss in hawaii a romantic trav uniport edu - Sep 09 2022

web may 19 2023 the best places to kiss in hawaii a romantic trav 2 8 downloaded from uniport edu ng on may 19 2023 by guest forthcoming books rose army 1998 best

the best places to kiss in hawaii a romantic trav book - May 05 2022

web these are the 11 best places to kiss around the world the most sensitive places you should be kissing your guy the best places to kiss cookbook recipes from the most

8 sex myths that experts wish would go away the new york - Jan 01 2022

web sep 10 2023 kindly say the the best places to kiss in hawaii a romantic trav is universally compatible with any devices to read bed breakfast encyclopedia deborah

the best places to kiss in hawaii a romantic trav 2022 smtp - Mar 15 2023

web destination for honeymooning tourists and other romance seekers using the best places to kiss series unique system of lip ratings and romantic warnings this guide reviews

the best places to kiss in hawaii a romantic trav copy alerts - Apr 04 2022

web evaluated and many new destinations are rated and reviewed making the best places to kiss in the pacific northwest the authoritative guide to the best romantic destinations

the best places to kiss in hawaii a romantic travel guide 2nd - Sep 21 2023

web paperback january 1 1995 from resorts bed and breakfasts secluded beaches and remote island escapes this reliable guide offers newly revisited re evaluated and revised information on heartwarming locations in every price range and for all tastes and lifestyles

7 romantic spots in hawai'i perfect for couples hawaii magazine - Aug 20 2023

web feb 4 2021 3 walk to pu'u pehe photo getty images there s a reason it s called sweetheart rock this natural rock formation called pu'u pehe rises 80 feet from the

10 best hawaii vacation spots for couples trips to discover - Dec 12 2022

web jan 18 2023 discover the broadcast the best places to kiss in hawaii a romantic trav that you are looking for it will entirely squander the time however below in

the best places to kiss in hawaii a romantic trav - Jul 07 2022

web mar 13 2023 most romantic locations in the world and are a popular destination for honeymooning tourists and other romance seekers using the best places to kiss

the best places to kiss in hawaii a romantic trav uniport edu - Aug 08 2022

web the best places to kiss in hawaii a romantic trav is available in our book collection an online access to it is set as public so you can get it instantly our digital library saves in

toyota 4age engine manual help environment harvard edu - Dec 28 2021

web from the manual this repair manual describes the description construction trouble shooting removal disassembly inspection and repair assembly and installation of the

toyota 4a f 4a ge engine repair manual pdf free download - Aug 04 2022

web home toyota other model toyota 4a f 4a ge engine service and maintenance manual toyota 4a f 4a ge engine service and maintenance manual of 0 download pdf an

toyota 4a f repair manual pdf download - Jul 15 2023

web view and download toyota 4a f repair manual online 4a f engine pdf manual download also for 4a ge

toyota 4a fe 4a ge engine repair manual pdf 349 pdf pdf - Apr 12 2023

web this repair manual has been prepared to provide information covering general service repairs for the 4a fe and 4a ge engines equipped on the toyota corolla

[toyota engine repair manual free download carmanualshub com](#) - Oct 06 2022

web dec 21 2010 complete manual download 14mb zip file complete 4age 20v blacktop manual per section small pdf files with file size index 19kb

[toyota 4y repair manual pdf download manualslib](#) - May 01 2022

web the toyota a series engines are a family of inline four internal combustion engines with displacement from 1 3 l to 1 8 l produced by toyota motor corporation the series has

toyota computer controlled system diagnosis manual 4a ge - Dec 08 2022

web nov 23 2019 other toyota models classic toyota 4age engine guide 4age engine guide by dufunk november 24 2019 in classic toyota share more sharing options

[toyota 4a f 4a ge engine service and maintenance manual](#) - Jul 03 2022

web aug 14 2023 many toyota owner publications such as owner s manuals navigation manuals and warranty and maintenance guides can be found online on my toyota

[complete 4age 20v repair manual for downloading small file](#) - Sep 05 2022

web toyota 4a f 4a ge engine repair manual home toyota 4a f 4a ge engine repair manual 3455 downloads 11232 views 91mb size report this content was uploaded

10 things we just learned about the toyota 4age engine - Jan 29 2022

web toyota 4age engine manual recognizing the pretension ways to get this book toyota 4age engine manual is additionally useful you have remained in right site to begin

[toyota 4a ge manuals manualslib](#) - Sep 17 2023

web toyota 4a ge manuals manuals and user guides for toyota 4a ge we have 3 toyota 4a ge manuals available for free pdf download repair manual toyota 4a ge repair

[toyota 4a ge manuals and user guides engine manuals all](#) - Jan 09 2023

web this manual explains the most ideal method of troubleshooting the 1983 and later 4a g e engines and tells how to carry out the necessary repairs the section of this manual

[toyota 4a f 4a ge engine repair manual free pdf](#) - May 13 2023

web toyota 4a fe 4a ge engine repair manual pdf 349 pdf free ebook download as pdf file pdf or read book online for free

[4age to j160 g 1gfe installation guide sq engineering](#) - Feb 27 2022

web oct 30 2021 1 blacktop the final version of the 4age engine is called the blacktop which takes its name from the color of

the valve cover toyota further increased the

toyota 4a ge repair manual 20v blacktop locost7 info - Feb 10 2023

web database contains 3 toyota 4a ge manuals available for free online viewing or downloading in pdf repair manual toyota 4a ge repair manual 228 pages

toyota 4y engine service manual pdf edition instant access - Nov 26 2021

web 1 day ago 6 38 2024 toyota tacoma first look everything about the new truck toyota has completely remade its benchmark midsize pickup truck led by an all new engine

2024 toyota tacoma what to know about the newest truck - Oct 26 2021

toyota 4a fe 4a ge engine repair manual rm163e - Mar 11 2023

web toyota 4a ge repair manual 20v blacktop chapter 1 preperation chapter 2 service specifications chapter 3 charging chapter 4 engine mechanical chapter 5 ignition

toyota a engine wikipedia - Mar 31 2022

web this kit allows a j160 gearbox to be installed onto a toyota a series engine when using our kit the gearbox doesn t need any dissassembly to be fitted however depending on

toyota 4a fe repair manual pdf download manualslib - Aug 16 2023

web view and download toyota 4a fe repair manual online 4a fe engine pdf manual download also for 4a ge

4age engine guide classic toyota toyota owners club - Nov 07 2022

web toyota 4age engine repair manual manual for maintenance and repair of the toyota 4a ge engine toyota 4e 5e engine service manual manual for maintenance and

manuals toyota - Jun 02 2022

web view and download toyota 4y repair manual online 4y engine pdf manual download

toyota 4a f 4a ge engine service and maintenance - Jun 14 2023

web toyota 4a f 4a ge engine service and maintenance manual for toyota engine may 1987 edition applicable to second generation 4a ge engine produced from 1987 1989