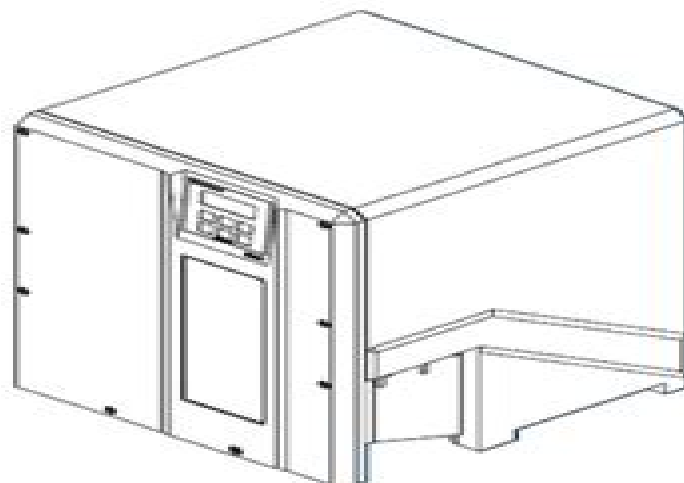


Operation, Installation and Service Manual

Original Documentation / Keep for Future Reference



NAVIGAT X MK 1

Digital Gyrocompass Systems

Type 4914-CA, Stock No. 74807 and Type 4914-CC, Stock No. 74811

04914-0128-01

056343/E, 11 Nov 2013

Navigat X Mk1 Manual

Great Britain. Admiralty



Navigat X Mk1 Manual:

Naval Training Bulletin ,1946 **Autocar** ,2006 *Cruising World* ,1987-01 *Road and Track* ,1970

Backpacker ,2004-03 Backpacker brings the outdoors straight to the reader s doorstep inspiring and enabling them to go more places and enjoy nature more often The authority on active adventure Backpacker is the world s first GPS enabled magazine and the only magazine whose editors personally test the hiking trails camping gear and survival tips they publish Backpacker s Editors Choice Awards an industry honor recognizing design feature and product innovation has become the gold standard against which all other outdoor industry awards are measured **Aeronautical Engineering** ,1987 A

selection of annotated references to unclassified reports and journal articles that were introduced into the NASA scientific and technical information system and announced in Scientific and technical aerospace reports STAR and International aerospace abstracts IAA *Jane's Armour and Artillery* ,2002 *NASA SP.* ,1986 **Aeronautical Engineering: A**

Cumulative Index to a Continuing Bibliography ,1987 [Whitaker's Book List](#) ,1987 *Aviation News* ,2008-07

Aeroplane and Commercial Aviation News ,1967 **La Librairie francaise : catalogue general des ouvrages en vente au 1er janvier 1930 ...** ,1961 *La Librairie française* ,1961 *The Navigation Control Manual* ,1987 **Ultimate**

Navigation Manual Lyle Brotherton,2011-09-15 Due to the level of detail the images are best viewed on a tablet All the techniques you need to become an expert navigator **The Yachtsman's Navigation Manual** Jeff Toghil,2003 [Manual of Navigation](#) Great Britain. Admiralty,1967 **Manual of Navigation, 1964** Great Britain. Admiralty,Great Britain.

Admiralty. Navigation and Direction Division,1964 **Manual of Navigation, 1954** Great Britain. Admiralty. Navigation and Direction Division,1960

Uncover the mysteries within Explore with is enigmatic creation, **Navigat X Mk1 Manual** . This downloadable ebook, shrouded in suspense, is available in a PDF format (*). Dive into a world of uncertainty and anticipation. Download now to unravel the secrets hidden within the pages.

https://new.webyeshiva.org/public/Resources/Download_PDFS/who%20i%20kissed%20janet%20gurtler.pdf

Table of Contents Navigat X Mk1 Manual

1. Understanding the eBook Navigat X Mk1 Manual
 - The Rise of Digital Reading Navigat X Mk1 Manual
 - Advantages of eBooks Over Traditional Books
2. Identifying Navigat X Mk1 Manual
 - Exploring Different Genres
 - Considering Fiction vs. Non-Fiction
 - Determining Your Reading Goals
3. Choosing the Right eBook Platform
 - Popular eBook Platforms
 - Features to Look for in an Navigat X Mk1 Manual
 - User-Friendly Interface
4. Exploring eBook Recommendations from Navigat X Mk1 Manual
 - Personalized Recommendations
 - Navigat X Mk1 Manual User Reviews and Ratings
 - Navigat X Mk1 Manual and Bestseller Lists
5. Accessing Navigat X Mk1 Manual Free and Paid eBooks
 - Navigat X Mk1 Manual Public Domain eBooks
 - Navigat X Mk1 Manual eBook Subscription Services
 - Navigat X Mk1 Manual Budget-Friendly Options
6. Navigating Navigat X Mk1 Manual eBook Formats

- ePub, PDF, MOBI, and More
- Navigat X Mk1 Manual Compatibility with Devices
- Navigat X Mk1 Manual Enhanced eBook Features
- 7. Enhancing Your Reading Experience
 - Adjustable Fonts and Text Sizes of Navigat X Mk1 Manual
 - Highlighting and Note-Taking Navigat X Mk1 Manual
 - Interactive Elements Navigat X Mk1 Manual
- 8. Staying Engaged with Navigat X Mk1 Manual
 - Joining Online Reading Communities
 - Participating in Virtual Book Clubs
 - Following Authors and Publishers Navigat X Mk1 Manual
- 9. Balancing eBooks and Physical Books Navigat X Mk1 Manual
 - Benefits of a Digital Library
 - Creating a Diverse Reading Collection Navigat X Mk1 Manual
- 10. Overcoming Reading Challenges
 - Dealing with Digital Eye Strain
 - Minimizing Distractions
 - Managing Screen Time
- 11. Cultivating a Reading Routine Navigat X Mk1 Manual
 - Setting Reading Goals Navigat X Mk1 Manual
 - Carving Out Dedicated Reading Time
- 12. Sourcing Reliable Information of Navigat X Mk1 Manual
 - Fact-Checking eBook Content of Navigat X Mk1 Manual
 - Distinguishing Credible Sources
- 13. Promoting Lifelong Learning
 - Utilizing eBooks for Skill Development
 - Exploring Educational eBooks
- 14. Embracing eBook Trends
 - Integration of Multimedia Elements
 - Interactive and Gamified eBooks

Navigat X Mk1 Manual Introduction

In today's digital age, the availability of Navigat X Mk1 Manual books and manuals for download has revolutionized the way we access information. Gone are the days of physically flipping through pages and carrying heavy textbooks or manuals. With just a few clicks, we can now access a wealth of knowledge from the comfort of our own homes or on the go. This article will explore the advantages of Navigat X Mk1 Manual books and manuals for download, along with some popular platforms that offer these resources. One of the significant advantages of Navigat X Mk1 Manual books and manuals for download is the cost-saving aspect. Traditional books and manuals can be costly, especially if you need to purchase several of them for educational or professional purposes. By accessing Navigat X Mk1 Manual versions, you eliminate the need to spend money on physical copies. This not only saves you money but also reduces the environmental impact associated with book production and transportation. Furthermore, Navigat X Mk1 Manual books and manuals for download are incredibly convenient. With just a computer or smartphone and an internet connection, you can access a vast library of resources on any subject imaginable. Whether you're a student looking for textbooks, a professional seeking industry-specific manuals, or someone interested in self-improvement, these digital resources provide an efficient and accessible means of acquiring knowledge. Moreover, PDF books and manuals offer a range of benefits compared to other digital formats. PDF files are designed to retain their formatting regardless of the device used to open them. This ensures that the content appears exactly as intended by the author, with no loss of formatting or missing graphics. Additionally, PDF files can be easily annotated, bookmarked, and searched for specific terms, making them highly practical for studying or referencing. When it comes to accessing Navigat X Mk1 Manual books and manuals, several platforms offer an extensive collection of resources. One such platform is Project Gutenberg, a nonprofit organization that provides over 60,000 free eBooks. These books are primarily in the public domain, meaning they can be freely distributed and downloaded. Project Gutenberg offers a wide range of classic literature, making it an excellent resource for literature enthusiasts. Another popular platform for Navigat X Mk1 Manual books and manuals is Open Library. Open Library is an initiative of the Internet Archive, a non-profit organization dedicated to digitizing cultural artifacts and making them accessible to the public. Open Library hosts millions of books, including both public domain works and contemporary titles. It also allows users to borrow digital copies of certain books for a limited period, similar to a library lending system. Additionally, many universities and educational institutions have their own digital libraries that provide free access to PDF books and manuals. These libraries often offer academic texts, research papers, and technical manuals, making them invaluable resources for students and researchers. Some notable examples include MIT OpenCourseWare, which offers free access to course materials from the Massachusetts Institute of Technology, and the Digital Public Library of America, which provides a vast collection of digitized books and historical documents. In conclusion, Navigat X Mk1 Manual books and manuals for download have transformed the way we access information. They provide a

cost-effective and convenient means of acquiring knowledge, offering the ability to access a vast library of resources at our fingertips. With platforms like Project Gutenberg, Open Library, and various digital libraries offered by educational institutions, we have access to an ever-expanding collection of books and manuals. Whether for educational, professional, or personal purposes, these digital resources serve as valuable tools for continuous learning and self-improvement. So why not take advantage of the vast world of Navigat X Mk1 Manual books and manuals for download and embark on your journey of knowledge?

FAQs About Navigat X Mk1 Manual Books

1. Where can I buy Navigat X Mk1 Manual books? Bookstores: Physical bookstores like Barnes & Noble, Waterstones, and independent local stores. Online Retailers: Amazon, Book Depository, and various online bookstores offer a wide range of books in physical and digital formats.
2. What are the different book formats available? Hardcover: Sturdy and durable, usually more expensive. Paperback: Cheaper, lighter, and more portable than hardcovers. E-books: Digital books available for e-readers like Kindle or software like Apple Books, Kindle, and Google Play Books.
3. How do I choose a Navigat X Mk1 Manual book to read? Genres: Consider the genre you enjoy (fiction, non-fiction, mystery, sci-fi, etc.). Recommendations: Ask friends, join book clubs, or explore online reviews and recommendations. Author: If you like a particular author, you might enjoy more of their work.
4. How do I take care of Navigat X Mk1 Manual books? Storage: Keep them away from direct sunlight and in a dry environment. Handling: Avoid folding pages, use bookmarks, and handle them with clean hands. Cleaning: Gently dust the covers and pages occasionally.
5. Can I borrow books without buying them? Public Libraries: Local libraries offer a wide range of books for borrowing. Book Swaps: Community book exchanges or online platforms where people exchange books.
6. How can I track my reading progress or manage my book collection? Book Tracking Apps: Goodreads, LibraryThing, and Book Catalogue are popular apps for tracking your reading progress and managing book collections. Spreadsheets: You can create your own spreadsheet to track books read, ratings, and other details.
7. What are Navigat X Mk1 Manual audiobooks, and where can I find them? Audiobooks: Audio recordings of books, perfect for listening while commuting or multitasking. Platforms: Audible, LibriVox, and Google Play Books offer a wide selection of audiobooks.

8. How do I support authors or the book industry? Buy Books: Purchase books from authors or independent bookstores. Reviews: Leave reviews on platforms like Goodreads or Amazon. Promotion: Share your favorite books on social media or recommend them to friends.
9. Are there book clubs or reading communities I can join? Local Clubs: Check for local book clubs in libraries or community centers. Online Communities: Platforms like Goodreads have virtual book clubs and discussion groups.
10. Can I read Navigat X Mk1 Manual books for free? Public Domain Books: Many classic books are available for free as they're in the public domain. Free E-books: Some websites offer free e-books legally, like Project Gutenberg or Open Library.

Find Navigat X Mk1 Manual :

~~who i kissed janet gurtler~~

[nissan frontier complete workshop service repair manual 2014 2015](#)

[dodge caravan chrysler town country 1992 service manual](#)

[topcon gts 720 manual spanish](#)

~~how to let god flow through~~

[interethnic relations an essay in sociological theory](#)

mitsubishi l200 service repair workshop manual

historic salem in four seasons a camera

~~what does a weather report do~~

[active ageing perspectives from europe on a vaunted topic](#)

volvo penta starter diagram

used toyota matrix for sale by owner

[zenoss suse 10 install guide](#)

be happy cartoons

~~wiring for 1988 vw cabriolet~~

Navigat X Mk1 Manual :

1985 dodge ram van b350 repair manual instant access - May 20 2022

web description 1986 dodge rear wheel drive ram van wagon factory service manual 1 2 3 4 1 ton vans b150 b250 b350 van

step van wagon all trim lines 3 7l v6

dodge workshop service and repair manuals b350 1 ton van - Oct 25 2022

web factory workshop repair manual for the 1984 dodge ram van b350 factory workshop repair manual for the 1984 dodge ram van b350 our money back guarantee

1993 dodge ram van wagon repair shop manual original - Sep 23 2022

web our most popular manual is the dodge b350 1 ton van workshop manual v8 5 9l vin z 1992 this like all of our manuals is available to download for free in pdf format

dodge ram free workshop and repair manuals - Jan 28 2023

web dodge service and repair manuals how to find your dodge workshop or owners manual we have 1241 free pdf s spread across 28 dodge vehicles to narrow down

1993 dodge ram van b350 repair manual instant access - Apr 18 2022

web sku 813704007g condition used 54 95 out of stock add to wish list frequently bought together add selected to cart description 1984 dodge rear wheel drive ram

dodge b350 repair manual online repairsurge - Oct 05 2023

web dodge b350 repair manuals your online dodge b350 repair manual lets you do the job yourself and save a ton of money no more eye popping bills at the repair shop your

1986 dodge ram van factory service manual b150 b250 b350 - Mar 18 2022

web on zj match the white with a black tracer wire on the vehicle harness to the orange wire from the repair kit dodge b350 1 ton van workshop manual v8 5 9l vin z 1992

free pdf 1989 1998 dodge b350 1 ton van 8 cylinders t 5 2l - Jun 20 2022

web 1993 dodge ram van b350 repair manual instant access 16 99 subscription period add to cart your selected dodge workshop manual will cover detailed job instructions

dodge other model repair service manuals 150 pdf s - Jul 22 2022

web 1985 dodge ram van b350 repair manual instant access 16 99 subscription period add to cart your selected dodge workshop manual will cover detailed job instructions

get the best priced dodge b350 repair manual partsgeek - Mar 30 2023

web we stock these repair manual brands for the dodge b350 haynes repair manuals available for the following dodge b350 years 94 93 92 91 90 89 88 87 86 85 84

chrysler dodge b350 page 1 factory repair manuals - Sep 04 2023

web 1985 dodge ram van and wagon factory service manual all including b150 b250 b350 van step van wagon complete

volume published by the chrysler corporation

dodge workshop repair owners manuals 100 free - Nov 25 2022

web jan 1 1993 1993 dodge ram van wagon repair shop manual original b100 b350 dodge on amazon com free shipping on qualifying offers 1993 dodge ram van

service repair manuals for dodge b350 for sale ebay - Apr 30 2023

web dodge b150 b250 b350 ram rv motor home van 1971 2003 shop service repair manual fits dodge b350 39 99 free shipping 1992 dodge ram full size rwd b150 b250

dodge ram repair service manuals 272 pdf s - Jul 02 2023

web here s a non exhaustive list of what s covered dodge ram service manual for roadside repairs dodge ram owners manual covering weekly checks dodge ram workshop

dodge workshop service and repair manuals b350 - Dec 27 2022

web b350 1 ton van v8 360 5 9l vin w 4 bbl 1988 dodge workshop service and repair manuals powertrain management ignition system ignition timing timing marks

1984 dodge ram van b350 repair manual instant access - Aug 23 2022

web dec 17 2022 free download pdf 159 pages file to fix and repair dodge other model made in 1989 1990 1991 1992 1993 1994 1995 1996 1997 1998 workshop repair

dodge repair and workshop manuals haynes chilton - Aug 03 2023

web at haynes we have an extensive selection of dodge repair manuals for various models get all the technical information how to guides and other helpful information for your

dodge b350 1 ton van workshop manual v8 360 5 9l 1994 - Jun 01 2023

web more information show full pdf 9 99 get your hands on the complete dodge factory workshop software download now check out our popular dodge other model manuals

1984 dodge ram van and wagon factory service manual b150 - Feb 14 2022

repair manuals literature for dodge b350 for sale ebay - Feb 26 2023

web get the best deals on repair manuals literature for dodge b350 when you shop the largest online selection at ebay com free shipping on many items browse your favorite

dodge b350 1 ton van workshop manual v8 5 9l vin z 1992 - Jan 16 2022

nfpa 70 national electrical code ihs markit - Sep 02 2022

web sep 1 2022 [nfpa 70 2023 edition 2023 national electrical code nfpa 70 commonly referred to as the national electrical code nec is a standard established in the united states to ensure the safe installation of electrical wiring and equipment](#)
[learn where the national electrical code nec is enforced nfpa](#) - Apr 28 2022

web throughout the united states and around the world [nfpa 70 national electrical code nec published by the national fire protection association nfpa sets the foundation for electrical safety in residential commercial and industrial occupancies](#)
content grounding and bonding nfpa - Mar 08 2023

web jul 14 2020 [grounding and bonding using the tables in article 250 of the nec article 250 is a foundational pillar of nfpa 70 national electrical code nec and the tables within article 250 are critical resources for sizing the wiring for the grounding and bonding of an electrical system](#)

codefinder tool disclaimer nfpa - Mar 28 2022

web important notices and disclaimers by using this codefinder tool the tool you agree to the terms and conditions of this agreement publication of this tool is for the sole purpose of creating general public awareness of some of the jurisdictions where authorities having jurisdiction ahjs may require the use of nfpa codes and or standards

nfpa 70 national electrical code nec 2017 ansi blog - Jan 06 2023

web jan 28 2022 [nfpa 70 2017 like its predecessors is the national electrical code nec of the united states striving for the ultimate goal of facilitating the safe installation of electrical wiring and equipment](#)
[nfpa](#) - Nov 04 2022

web nfpa

nfpa 70 nec code development - Aug 13 2023

web nfpa 70 national electrical code status active notify me about document updates adopted in all 50 states nfpa 70 national electrical code nec is the benchmark for safe electrical design installation and inspection to protect people and property from electrical hazards current edition 2023 purchase options available in nfpa link

nfpa 70 national electrical code handbook 2023 edition with - Oct 03 2022

web dec 7 2022 [the significantly revised nfpa 70 national electrical code nec 2023 edition is the premier standard for safe electrical installations in residential commercial and industrial settings it s critical that personnel who apply and enforce the nec stay up to date with the code and are ready for the challenges of the modern electrical landscape](#)

110 3 examination identification installation use and nfpa 70 - May 30 2022

web nfpa 70 2023 changes 110 3 a examination has grown to a total of nine points to be evaluated nfpa 70 2023 has a new item 8 which references cybersecurity for network connected life safety equipment as a required item to consider when examination occurs

electrical codes and standards nfpa - Sep 14 2023

web nfpa s family of codes and standards that deal with electrical issues including nfpa 70 national electrical code nec nfpa 70b recommended practice for electrical equipment maintenance and nfpa 70e standard for electrical safety in the workplace reflect changing industry needs and evolving technologies supported by

national electrical code nec creative safety supply - Jun 30 2022

web why is nfpa 70 important the national electrical code also known as the nec is an adoptable standard for the safe installation of electrical equipment and wiring and establishes the basis for electrical safety in industrial commercial and residential buildings

article 90 nfpa 70 national electrical code - Aug 01 2022

web article 90 article 90 contains the scope purpose and administrative provisions for nfpa 70 this article is a specific requirement of the 2020 national electrical code style manual section 2 1 1 this article plays an important role in helping the user of the document understand how to

get the 2023 national electrical code nec - Dec 05 2022

web jun 23 2022 get current with the latest in electrical requirements with nfpa 70 national electrical code nec 2023 edition this essential publication addressing electrical installations is revised and expanded to reflect the latest best practices emerging trends and the development and introduction of technologies

nfpa - Oct 15 2023

web iframe src googletagmanager com ns html id gtm nvzvzv gtm auth gtm preview gtm cookies win x height 0 width 0 style display none visibility

electrical code 2020 nfpa 70 2020 upcodes - Jun 11 2023

web the electrical code 2020 nfpa 70 2020 is a code produced by the national fire protection association nfpa this document provides the foundation for many state and city codes the nfpa 70 2020 combined with

electrical code 2023 nfpa 70 2023 upcodes - Feb 24 2022

web the electrical code 2023 nfpa 70 2023 is a code produced by the national fire protection association nfpa this document provides the foundation for many state and city codes the nfpa 70 2023 combined with

the nec national electrical installation standards neis - Apr 09 2023

web the national electrical code nec is the most widely adopted code in the world the national fire protection association nfpa has been the sponsor of the nec since 1911 compliance with the nec rules results in electrical installations and systems that are essentially free from hazards

changes to the 2023 and 2020 edition of the national electrical code - Feb 07 2023

web learn about nfpa 70 nec changes free 14 day nfpa link trial national fire codes subscription service state approved nec and nfpa 70e electrical online training webinars certification toggle this sub menu open or closed choose your program cfps learning paths

nfpa 70 national electrical code nec 2014 chapter 2 wiring - May 10 2023

web nov 13 2015 e-library nfpa 70 national electrical code nec section 220 nfpa 70 national electrical code nec 2014 chapter 2 wiring and protection section 220 branch circuit feeder and service calculations article 220 branch circuit feeder and service calculations i general

national electrical code wikipedia - Jul 12 2023

web the national electrical code nec or nfpa 70 is a regionally adoptable standard for the safe installation of electrical wiring and equipment in the united states it is part of the national fire code series published by the national fire protection association nfpa a private trade association 1

livre laura cappelle - Apr 12 2023

web nouvelle histoire de la danse en occident date de parution 17 septembre 2020 directrice d ouvrage laura cappelle editions du seuil avec les contributions de 27 chercheurs internationaux avant propos de william forsythe une traversée de l histoire de la danse de la préhistoire à nos jours qui s adresse à tous les publics

histoire de la danse en occident cultura - Mar 31 2022

web histoire de la danse en occident par alessandro pontremoli ornella di tondo flavia dpappacena aux éditions gremese histoire de la danse et du ballet est un ouvrage réunissant les travaux de trois figures emblématiques de la danse italienne ornella di tondo flavia pappacena

pdf histoire de la danse en occident - Feb 27 2022

web histoire de la danse en occident diagonales de la danse feb 04 2022 une part trop méconnue de l histoire culturelle de l europe s est construite autour de la danse et avec la danse née en italie sous la forme du ballet la danse a reçu ses fondations les plus

histoire de la danse en occident worldcat org - Oct 06 2022

web histoire de la danse en occident worldcat org histoire de la danse en occident worldcat org items pages home libraries topics lists about for librarians histoire de la danse en danse occident antiquité 1977 more information Équivalent anglais english equivalent

nouvelle histoire de la danse en occident babelio - Jan 09 2023

web sep 17 2020 ean 9782021399899 368 pages seuil 17 09 2020 5 5 1 notes résumé la danse représente un réel défi pour les historiens art de l éphémère elle ne laisse dans son sillage que des traces très partielles une fois évanouie et continue

souvent à être oubliée dans les récits de l'histoire de l'art

nouvelle histoire de la danse en occident sous la direction de - Sep 17 2023

web oct 3 2020 nouvelle histoire de la danse en occident sous la direction de laura cappelle en quête de la danse 23es

rendez vous de l'histoire de blois un panorama dense dont

amazon fr nouvelle histoire de la danse en occident de la - Feb 10 2023

web noté 5 retrouvez nouvelle histoire de la danse en occident de la préhistoire à nos jours et des millions de livres en stock sur amazon fr achetez neuf ou d occasion

nouvelle histoire de la danse en occident laura capelle seuil - Jul 03 2022

web sep 17 2020 des premiers indices de transes dansées à la libération moderne du corps des ballets de la renaissance à la création chorégraphique actuelle cet ouvrage décrypte le mouvement à la lumière des dynamiques sociales culturelles et artistiques qui l'ont façonné en occident

nouvelle histoire de la danse en occident fnac - Mar 11 2023

web sep 17 2020 des premiers indices de transes dansées à la libération moderne du corps des ballets de la renaissance à la création chorégraphique actuelle cet ouvrage décrypte le mouvement à la lumière des dynamiques sociales culturelles et artistiques qui l'ont façonné en occident

histoire de la danse en occident worldcat org - Sep 05 2022

web physical description 2 volumes 187 157 pages illustrations en noir et en couleur couv illustrations en couleur 18 cm

[histoire de la danse wikipédia](#) - May 13 2023

web 1 la danse existe partout dans le monde et depuis toujours histoire en occident l'antiquité l'acte rituel devient distraction l'esthétisme et la communion deviennent prépondérants lors des spectacles et des rassemblements la danse devient donc un art dont les codes évolueront avec les sociétés qui la pratiquent

histoire de la danse en occident paul bourcier cultura - Jun 02 2022

web histoire de la danse en occident par paul bourcier aux éditions seuil réédition numérique fenixx dans cet ouvrage qui se veut d'abord historique l'auteur montre l'évolution de l'orchestrique depuis les premiers témoignages attestés il y a quelque quinze mi mes réservations choisissez un magasin bonjour identifiez vous mon panier menu

1 la première danse fut un acte sacré cairn info - May 01 2022

web histoire de la danse en occident 1 la première danse fut un sommaire 1 la première danse fut un acte sacré suivre cet auteur paul bourcier dans histoire de la danse en occident 1978 pages 9 à 25

histoire de la danse en occident paul bourcier google books - Dec 08 2022

web histoire de la danse en occident dans cet ouvrage qui se veut d'abord historique l'auteur montre l'évolution de l'

orchestrique depuis les premiers témoignages attestés il y a quelque quinze

la danse quelle histoire les echos - Nov 07 2022

web nov 14 2020 ainsi yosef garfinkel explique dans la nouvelle histoire de la danse en occident qu au paléolithique

supérieur des sources sur la danse humaine apparaissent sous la forme de

une nouvelle histoire de la danse en occident synthétique et - Aug 16 2023

web dec 31 2020 vingt sept collaborateurs internationaux dont les domaines de recherche couvrent toute l humanité

occidentale de la préhistoire au début du xx^e siècle ont été réunis sous la direction de laura cappelle pour aborder les aspects

les plus contrastés des visages de la danse

5 l invention de la danse classique cairn info - Aug 04 2022

web copier bourcier paul 5 l invention de la danse classique histoire de la danse en occident sous la direction de bourcier

paul le seuil 1978 pp 105 139 apa fr copier bourcier p 1978 5 l invention de la danse classique dans p bourcier histoire de la

danse en occident pp 105 139 paris le seuil

histoire de la danse en occident cyberlab sutd edu sg - Jun 14 2023

web histoire de la danse en occident la danse dec 27 2021 le corps prêt à danser aug 23 2021 cet ouvrage aborde différents

aspects historiques et pédagogiques de la danse butô tout en se reposant sur l expérience pragmatique de la danseuse et de

la vision de la chorégraphe l essentiel de la méthode

histoire de la danse en occident paul bourcier cairn info - Oct 18 2023

web ouvrages histoire de la danse en occident histoire de la danse en occident par paul bourcier année 1978 pages 320

collection points Éditeur le seuil format quote citer ou exporter ajouter à une liste

nouvelle histoire de la danse en occident Éditions du seuil - Jul 15 2023

web des premiers indices de trances dansées à la libération moderne du corps des ballets de la renaissance à la création

chorégraphique actuelle cet ouvrage décrypte le mouvement à la lumière des dynamiques sociales culturelles et artistiques

qui l ont façonné en occident