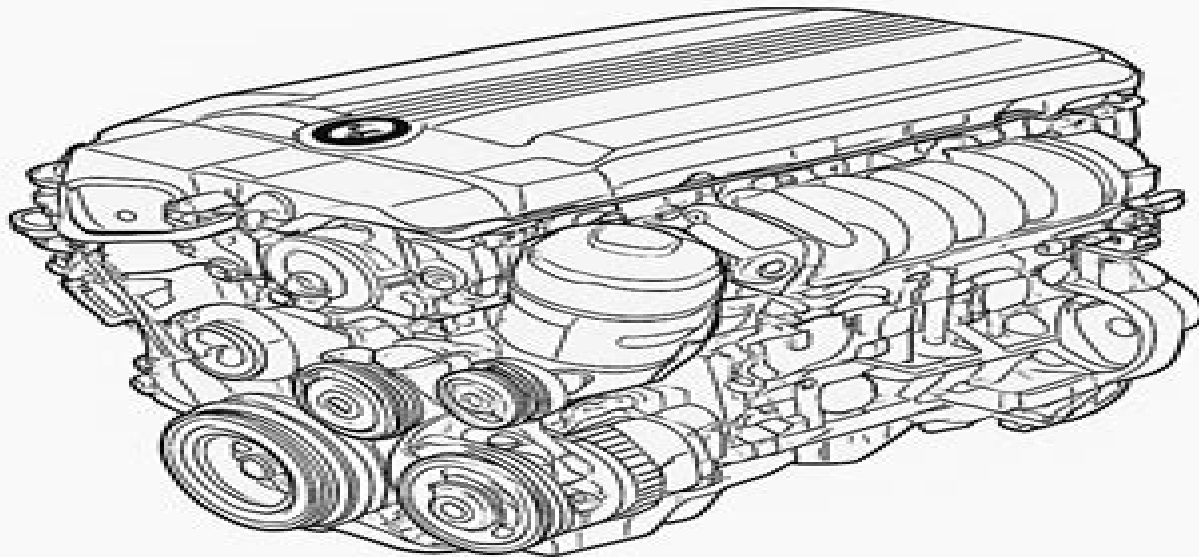


# **BMW M57 Engine**



**WORKSHOP MANUAL  
REPAIR INSTRUCTION**

# Bmw Engine Repair Manual

**Martynn Randall**



## **Bmw Engine Repair Manual:**

**BMW 3- & 5-Series Service and Repair Manual**, 2013      **BMW 3- & 5-series Service and Repair Manual** Andrew K. Legg, Larry Warren, 1998 BMW 3 Saloon Touring Saloon 81 88 up to F 5 Series E34 518i 520i 525i 530i 535i Saloon Touring 88 91 F to J Does NOT cover models with DOHC V8 or Diesel engines or 4x4 For other 3 5 series models see manuals no 0276 0632 0815 1560 or 3210 Petrol 1 6 litre 1596cc 1 8 litre 1766 1795cc 2 0 litre 1990cc 2 5 litre 2494cc 2 8 litre 2788cc 3 0 litre 2986cc 3 5 litre 3430cc SOHC      [BMW 5 Series Diesel \(03-09\) 52 to 10](#) Martynn Randall, 2011 BMW 5 Series Saloon E60 and Touring E61 with 4 6 cylinder turbo diesel engines 520d 525d 530d 2 0 litre 1995cc 2 5 litre 2497cc 3 0 litre 2993cc turbo diesel Does NOT cover petrol models 535d twin turbo diesel models or models with xDrive transmission Does NOT cover new 5 Series F10 F11 range introduced during 2010      *Volvo 240 Service Manual 1983 Through 1993* Bentley Publishers, 1993 Vehicle Maintenance      [BMW 3-series Service and Repair Manual](#) Mark Coombs, Steve Rendle, 1996      [Saab 900, 16 Valve Official Service Manual, 1985-1993](#) Bentley, Bentley Publishers, 1993 These official Saab manuals are the only factory authorized comprehensive single source of service information and specifications available Whether you re a professional technician or a do it yourselfer these manuals will help you understand care for and repair your Saab Everything from fundamental automotive concepts and maintenance procedures to complex electrical system troubleshooting and complete engine overhaul is clearly explained Critical updates and information from the Saab Service Information Manual the Parts Service Information System and Saab Service Training have been included as well as fast proven repair procedures and tips used by Saab technicians      **Service and Repair Manual for BMW 3-series** Martynn Randall, 2003 316i 318i 320i 323i 325i 328i 330i E46 models Saloon Coupe Touring Does NOT cover Compact Convertible or M3 Petrol 4 cyl engines 1 8 litre 1796cc 1 9 litre 1895cc 2 0 litre 1995cc inc Valvetronic engines Does NOT cover 1 6 litre 1596cc 4 cyl engine 6 cyl engines 2 2 litre 2171cc 2 5 litre 2494cc 2 8 litre 2793cc 3 0 litre 2979cc      *BMW R850 & 1100 4-valve Twins Service and Repair Manual* Matthew Coombs, 1998 Inside this manual you will find routine maintenance tune up procedures engine repair cooling and heating air conditioning fuel and exhaust emissions control ignition brakes suspension and steering electrical systems and wiring diagrams      **BMW 3-series Automotive Repair Manual** Robert Rooney, John Harold Haynes, 1997 There is a Haynes manual for most popular domestic and import cars trucks and motorcycles By conducting complete tear downs and rebuilds the Haynes staff has discovered all the problems owners will find in rebuilding or repairing their vehicle Documenting the process in hundreds of illustrations and clear step by step instructions makes every step easy to follow with the exact order of assembly and all the specifications needed to complete the job From simple maintenance to trouble shooting and incomplete engine rebuilds it s easy with Haynes      **B. M. W.3 Series Service and Repair Manual** Peter G. Strasman, 1995      [Service and Repair Manual for BMW 1 Series](#) Martynn Randall, 2011 Hatchback and Coupe models with 4 cylinder petrol and diesel engines 1 6 litre 1596cc and 2 0 litre 1995cc

petrol engines 2 0 litre 1995cc diesel engine Does not cover 2 5 or 3 0 litre engines or features specific to Convertible

**BMW X5 (E53) Service Manual: 2000, 2001, 2002, 2003, 2004, 2005, 2006: 3.0i, 4.4i, 4.6is, 4.8is** Bentley Publishers,2010-10-01 The BMW X5 E53 repair manual 2000 2006 contains in depth maintenance service and repair information for BMW X5 models from 2000 to 2006 The aim throughout has been simplicity and clarity with practical explanations step by step procedures and accurate specifications Whether you re a professional or a do it yourself BMW owner this manual helps you understand care for and repair your BMW Models and engines 3 0i M54 engine 6 cylinder 3 0 liter 4 4i M62 TU engine V8 4 4 liter 4 4i N62 engine V8 4 4 liter Valvetronic 4 6is M62 TU engine V8 4 6 liter 4 8is N62 engine V8 4 8 liter Valvetronic Transmissions remove install external service Manual 5 speed S5D 280Z Manual 6 speed GS6 37BZ Automatic 5 speed A5S 390R Automatic 5 speed A5S 440Z Automatic 6 speed GA6HP26Z *VW Polo Petrol & Diesel Service & Repair Manual* R. M. Jex,2007 Hatchback including special limited editions Does NOT cover features specific to Dune models or facelifted Polo range introduced June 2005 Petrol 1 2 litre 1198cc 3 cyl 1 4 litre 1390cc non FSI 4 cyl Does NOT cover 1 4 litre FSI engines Diesel 1 4 litre 1422cc 3 cyl 1 9 litre 1896cc 4 cyl inc PD TDI turbo [BMW 5 Series \(E28\) Service Manual 1982, 1983, 1984, 1985, 1986, 1987 1988](#) Bentley Publishers,1991-01-01 The BMW 5 Series E28 Service Manual 1982 1988 is a comprehensive single source of service information and specifications for BMW 5 Series E28 cars from 1982 1988 Whether you re a professional technician or a do it yourself BMW owner this manual will help you understand maintain and repair systems on 5 Series cars BMW E28 Models and engines covered in this BMW repair manual 528e B27 2 7 liter 533i B32 3 2 liter 535i B34 3 5 liter 535is B34 3 5 liter BMW E28 Transmissions covered in this BMW repair manual Getrag 260 with integral bellhousing Getrag 265 with removable bellhousing Technical features Complete preventive maintenance procedures from the yearly brake fluid change to resetting the oil service indicator and oxygen sensor lights This manual tells you what to do how and when to do it and why it s important Many of the maintenance recommendations exceed factory recommended service intervals and are designed to extend your BMW s service life Detailed troubleshooting and repair information for these Bosch fuel injection and engine management systems Motronic 528e 533i 535i 535is and Motronic 1 1 528e from March 1987 This Motronic 1 1 service information is not covered in BMW s factory repair manual Comprehensive Engine Management information for specific BMW 5 Series driveability problems including troubleshooting electronically controlled idle speed faults that are frequently misdiagnosed Troubleshooting tips with fast proven repair procedures used by BMW technicians and specialists Critical updates and hard to find information from dealer service bulletins such as how to replace the camshaft timing belt sprocket and tensioner with the correct Z 127 update and cylinder head bolt replacement on 528e models Large easy to read wiring schematics for major circuits along with a full listing of ground points connector and splice locations and electronic component locations Procedures and specifications for rebuilding engines and manual transmissions **BMW 4 Series (F32, F33, F36) Service Manual**

Robert Bentley, 2017-01-11 The BMW 4 Series Service Manual 2014 2016 contains in depth maintenance service and repair information for the BMW 4 Series from 2014 to 2016 The aim throughout has been simplicity and clarity with practical explanations step by step procedures and accurate specifications Whether you re a professional or a do it yourself BMW owner this manual helps you understand care for and repair your 4 Series The do it yourself BMW owner will find this manual indispensable as a source of detailed maintenance and repair information Even if you have no intention of working on your vehicle you will find that reading and owning this manual makes it possible to discuss repairs more intelligently with a professional technician Features Maintenance procedures from changing the cabin microfilter to replacing and registering a new battery This manual tells you what to do and how and when to do it Front to rear fluid and lubricant service including xDrive transfer case fluid and ATF Cylinder head cover gasket and crankshaft seal replacement Cooling system thermostat and radiator service Gasoline fuel and ignition system diagrams and explanations for turbo valvetronic direct injection TVDI engines Service and repair information on BMW EfficientDynamics technology such as Valvetronic xDrive TwinPower turbo and DSC dynamic stability control Twin scroll gasoline turbocharger replacement for 4 and 6 cylinder engines Step by step variable camshaft timing VANOS service Suspension repairs including wheel bearing replacement Brakes steering and ABS troubleshooting and repair Heating and air conditioning repair including A C component replacement Body and lid repairs and adjustments including Gran Coupe tailgate and rear doors Retractable hardtop service including electrical mechanical and hydraulic component operation locations and replacement Electrical system service with an easy to use illustrated component locator section Comprehensive wiring schematics including fuses and grounds BMW OBD II diagnostic trouble codes SAE defined OBD II P codes as well as basic scan tool operation BMW factory tolerances wear limits adjustments and tightening torques Engines N20 engine 428i including xDrive N26 SULEV engine 428i including xDrive N55 engine 435i including xDrive Manual transmissions GS6 17BG 4 cylinder models GS6 45BZ 6 cylinder models RWD GS6X 45BZ 6 cylinder models with xDrive Automatic transmissions ZF GA8HP45Z **BMW X3 (E83) Service Manual: 2004, 2005, 2006, 2007, 2008, 2009, 2010: 2.5i, 3.0i, 3.0si, Xdrive 30i**

Bentley Publishers, 2015-01-26 The BMW X3 E83 Service Manual 2004 2010 contains in depth maintenance service and repair information for the BMW X3 from 2004 to 2010 The aim throughout has been simplicity and clarity with practical explanations step by step procedures and accurate specifications Whether you re a professional or a do it yourself BMW owner this manual helps you understand care for and repair your BMW Engines covered M54 engine 2 5i 3 0i 2004 2006 N52 engine 3 0si xDrive 30i 2007 2010 Transmissions covered Manual ZF GS6 37BZ 6 speed Automatic GM A5S390R 5 speed Automatic GM GA6L45R 6 speed **Bosch Fuel Injection and Engine Management**

C Probst, 1989-11-27 This Bosch Bible fully explains the theory troubleshooting and service of all Bosch systems from D Jetronic through the latest Motronics Includes high performance tuning secrets and information on the newest KE and LH Motronic systems not available from any other source **BMW 7 Series Service Manual**, 1999 BMW

repair manuals The ultimate service manuals Bentley manuals are the only comprehensive single source of service information and specifications available for BMW cars These manuals provide the highest level of clarity and completeness for all service and repair procedures Enthusiasts do it yourselfers and professional technicians will appreciate the quality of photographs and illustrations theory of operation and accurate step by step instructions If you are looking for better understanding of your BMW look no further than Bentley Even if you do not repair your own vehicle knowledge of its internal workings will help you when discussing repairs and maintenance with your professional automotive technician

**WALNECK'S CLASSIC CYCLE TRADER, DECEMBER/JANUARY 1986-87** Causey Enterprises, LLC, **BMW 3 Series** Martynn Randall, 2011 With a Haynes manual you can do it yourself from simple maintenance to basic repairs Haynes writes every book based on a complete teardown of the vehicle We learn the best ways to do a job and that makes it quicker easier and cheaper for you Our books have clear instructions and hundreds of photographs that show each step Whether you re a beginner or a pro you can save big with Haynes Step by step procedures Easy to follow photos Complete troubleshooting section Valuable short cuts Color spark plug diagnosis Complete coverage for all models of your Nissan Sentra from 2007 through 2012 Routine Maintenance Tune up procedures Engine repair Cooling and heating Air Conditioning Fuel and exhaust Emissions control Ignition Brakes Suspension and steering Electrical systems Wiring diagrams

Embark on a breathtaking journey through nature and adventure with Explore with is mesmerizing ebook, Natureis Adventure: **Bmw Engine Repair Manual** . This immersive experience, available for download in a PDF format ( \*), transports you to the heart of natural marvels and thrilling escapades. Download now and let the adventure begin!

<https://new.webyeshiva.org/files/book-search/default.aspx/Bmw%20523i%20Service%20Manual.pdf>

## **Table of Contents Bmw Engine Repair Manual**

1. Understanding the eBook Bmw Engine Repair Manual
  - The Rise of Digital Reading Bmw Engine Repair Manual
  - Advantages of eBooks Over Traditional Books
2. Identifying Bmw Engine Repair Manual
  - Exploring Different Genres
  - Considering Fiction vs. Non-Fiction
  - Determining Your Reading Goals
3. Choosing the Right eBook Platform
  - Popular eBook Platforms
  - Features to Look for in an Bmw Engine Repair Manual
  - User-Friendly Interface
4. Exploring eBook Recommendations from Bmw Engine Repair Manual
  - Personalized Recommendations
  - Bmw Engine Repair Manual User Reviews and Ratings
  - Bmw Engine Repair Manual and Bestseller Lists
5. Accessing Bmw Engine Repair Manual Free and Paid eBooks
  - Bmw Engine Repair Manual Public Domain eBooks
  - Bmw Engine Repair Manual eBook Subscription Services
  - Bmw Engine Repair Manual Budget-Friendly Options
6. Navigating Bmw Engine Repair Manual eBook Formats

- ePub, PDF, MOBI, and More
  - Bmw Engine Repair Manual Compatibility with Devices
  - Bmw Engine Repair Manual Enhanced eBook Features
7. Enhancing Your Reading Experience
    - Adjustable Fonts and Text Sizes of Bmw Engine Repair Manual
    - Highlighting and Note-Taking Bmw Engine Repair Manual
    - Interactive Elements Bmw Engine Repair Manual
  8. Staying Engaged with Bmw Engine Repair Manual
    - Joining Online Reading Communities
    - Participating in Virtual Book Clubs
    - Following Authors and Publishers Bmw Engine Repair Manual
  9. Balancing eBooks and Physical Books Bmw Engine Repair Manual
    - Benefits of a Digital Library
    - Creating a Diverse Reading Collection Bmw Engine Repair Manual
  10. Overcoming Reading Challenges
    - Dealing with Digital Eye Strain
    - Minimizing Distractions
    - Managing Screen Time
  11. Cultivating a Reading Routine Bmw Engine Repair Manual
    - Setting Reading Goals Bmw Engine Repair Manual
    - Carving Out Dedicated Reading Time
  12. Sourcing Reliable Information of Bmw Engine Repair Manual
    - Fact-Checking eBook Content of Bmw Engine Repair Manual
    - Distinguishing Credible Sources
  13. Promoting Lifelong Learning
    - Utilizing eBooks for Skill Development
    - Exploring Educational eBooks
  14. Embracing eBook Trends
    - Integration of Multimedia Elements
    - Interactive and Gamified eBooks



## **Bmw Engine Repair Manual Introduction**

In this digital age, the convenience of accessing information at our fingertips has become a necessity. Whether its research papers, eBooks, or user manuals, PDF files have become the preferred format for sharing and reading documents. However, the cost associated with purchasing PDF files can sometimes be a barrier for many individuals and organizations. Thankfully, there are numerous websites and platforms that allow users to download free PDF files legally. In this article, we will explore some of the best platforms to download free PDFs. One of the most popular platforms to download free PDF files is Project Gutenberg. This online library offers over 60,000 free eBooks that are in the public domain. From classic literature to historical documents, Project Gutenberg provides a wide range of PDF files that can be downloaded and enjoyed on various devices. The website is user-friendly and allows users to search for specific titles or browse through different categories. Another reliable platform for downloading Bmw Engine Repair Manual free PDF files is Open Library. With its vast collection of over 1 million eBooks, Open Library has something for every reader. The website offers a seamless experience by providing options to borrow or download PDF files. Users simply need to create a free account to access this treasure trove of knowledge. Open Library also allows users to contribute by uploading and sharing their own PDF files, making it a collaborative platform for book enthusiasts. For those interested in academic resources, there are websites dedicated to providing free PDFs of research papers and scientific articles. One such website is Academia.edu, which allows researchers and scholars to share their work with a global audience. Users can download PDF files of research papers, theses, and dissertations covering a wide range of subjects. Academia.edu also provides a platform for discussions and networking within the academic community. When it comes to downloading Bmw Engine Repair Manual free PDF files of magazines, brochures, and catalogs, Issuu is a popular choice. This digital publishing platform hosts a vast collection of publications from around the world. Users can search for specific titles or explore various categories and genres. Issuu offers a seamless reading experience with its user-friendly interface and allows users to download PDF files for offline reading. Apart from dedicated platforms, search engines also play a crucial role in finding free PDF files. Google, for instance, has an advanced search feature that allows users to filter results by file type. By specifying the file type as "PDF," users can find websites that offer free PDF downloads on a specific topic. While downloading Bmw Engine Repair Manual free PDF files is convenient, its important to note that copyright laws must be respected. Always ensure that the PDF files you download are legally available for free. Many authors and publishers voluntarily provide free PDF versions of their work, but its essential to be cautious and verify the authenticity of the source before downloading Bmw Engine Repair Manual. In conclusion, the internet offers numerous platforms and websites that allow users to download free PDF files legally. Whether its classic literature, research papers, or magazines, there is something for everyone. The platforms mentioned in this article, such as Project Gutenberg, Open Library, Academia.edu, and Issuu, provide access to a vast collection of PDF files. However, users should always be

cautious and verify the legality of the source before downloading Bmw Engine Repair Manual any PDF files. With these platforms, the world of PDF downloads is just a click away.

## **FAQs About Bmw Engine Repair Manual Books**

1. Where can I buy Bmw Engine Repair Manual books? Bookstores: Physical bookstores like Barnes & Noble, Waterstones, and independent local stores. Online Retailers: Amazon, Book Depository, and various online bookstores offer a wide range of books in physical and digital formats.
2. What are the different book formats available? Hardcover: Sturdy and durable, usually more expensive. Paperback: Cheaper, lighter, and more portable than hardcovers. E-books: Digital books available for e-readers like Kindle or software like Apple Books, Kindle, and Google Play Books.
3. How do I choose a Bmw Engine Repair Manual book to read? Genres: Consider the genre you enjoy (fiction, non-fiction, mystery, sci-fi, etc.). Recommendations: Ask friends, join book clubs, or explore online reviews and recommendations. Author: If you like a particular author, you might enjoy more of their work.
4. How do I take care of Bmw Engine Repair Manual books? Storage: Keep them away from direct sunlight and in a dry environment. Handling: Avoid folding pages, use bookmarks, and handle them with clean hands. Cleaning: Gently dust the covers and pages occasionally.
5. Can I borrow books without buying them? Public Libraries: Local libraries offer a wide range of books for borrowing. Book Swaps: Community book exchanges or online platforms where people exchange books.
6. How can I track my reading progress or manage my book collection? Book Tracking Apps: Goodreads, LibraryThing, and Book Catalogue are popular apps for tracking your reading progress and managing book collections. Spreadsheets: You can create your own spreadsheet to track books read, ratings, and other details.
7. What are Bmw Engine Repair Manual audiobooks, and where can I find them? Audiobooks: Audio recordings of books, perfect for listening while commuting or multitasking. Platforms: Audible, LibriVox, and Google Play Books offer a wide selection of audiobooks.
8. How do I support authors or the book industry? Buy Books: Purchase books from authors or independent bookstores. Reviews: Leave reviews on platforms like Goodreads or Amazon. Promotion: Share your favorite books on social media or recommend them to friends.
9. Are there book clubs or reading communities I can join? Local Clubs: Check for local book clubs in libraries or

community centers. Online Communities: Platforms like Goodreads have virtual book clubs and discussion groups.

10. Can I read Bmw Engine Repair Manual books for free? Public Domain Books: Many classic books are available for free as they're in the public domain. Free E-books: Some websites offer free e-books legally, like Project Gutenberg or Open Library.

### **Find Bmw Engine Repair Manual :**

#### **bmw 523i service manual**

*bmw c1 125 200 2000 2003 service repair workshop manual*

~~bmw 525i 1982 repair service manual~~

*bmw 330xi owners manual*

*bmw 3 e30 1981 1994 workshop repair service manual fsm diy*

[bmw 3 series e46 328i sedan 1999 2005 service repair manual](#)

#### **bmw 525i 1989 2002 service repair workshop manual**

[bmw 318i 1994 factory repair manual](#)

[bmw 3 series z4 1999 05 repair manual chiltons total car care repair manuals](#)

[bmw 318i m43 engine manual](#)

#### **bmw 5 series e34 service repair workshop manual 1989 1996**

#### **bmw 6 speed manual transmission for sale**

#### **bmw 323i e46 manual**

[bmw 525i manual transmission](#)

~~bmw 323i service manual~~

### **Bmw Engine Repair Manual :**

#### **school of the spirit developing the human spirit - Apr 11 2023**

web school of the spirit developing the human spirit paperback 16 may 2011 by roberts liardon author lookout designs author todd hafer editor 0 more 4 7 out of 5

#### **school of the spirit by roberts liardon andrew murray 2023 - Jul 02 2022**

web located in istanbul turkey robert college is a co educational high school founded in 1863 admission is based on the standardized high school entrance exam prepared by

*the school of the spirit operating powerfully in the* - Jun 13 2023

web nov 1 1994 school of the spirit operating powerfully in the spirit realm by roberts liardon goodreads jump to ratings and reviews

**the school of the spirit by roberts liardon open library** - Dec 27 2021

**the school of the spirit by roberts liardon alibris** - Oct 05 2022

web the gifts of the spirit david walters 1990 02 a bible study on the gifts of the spirit by david walters sixth in a 6 book series of children s illustrated bible studies

*school of the spirit developing the human spirit liardon* - Jan 08 2023

web buy the school of the spirit by roberts liardon online at alibris we have new and used copies available in 1 editions starting at 3 99 shop now

school of the spirit by roberts liardon waterstones - Dec 07 2022

web sep 6 2008 the school of the spirit operating powerfully in the spirit realm by roberts liardon first published in 1994 2 editions in 1 language 1 previewable not in

*school of the spirit operating powerfully in the spirit realm* - May 12 2023

web apr 27 2015 the ministry helps millions of lives through the power of the holy spirit liardon is a significant contributor towards building god s kingdom with the belief that

**roberts liardon** - Nov 06 2022

web teaching as roberts liardon causes the history of revival revivalists to come alive during our 2nd session of remembering god s generals the revivalists with

**roberts liardon school of the spirit pdf google drive** - Oct 25 2021

*robert college about rc* - Mar 30 2022

web school of the spirit by roberts liardon november 1994 charisma house edition paperback in english

robert college wikipedia - Jun 01 2022

web nov 17 2020 school of the spirit by roberts liardon 1994 creation house edition in english

school of the spirit operating powerfully in the spirit realm - Jul 14 2023

web school of the spirit operating powerfully in the spirit realm liardon roberts free download borrow and streaming internet archive

**robert college academics** - Apr 30 2022

web sep 30 2021 the ministry helps millions of lives through the power of the holy spirit liardon is a significant contributor towards building god s kingdom with the belief that

**roberts liardon open library** - Sep 04 2022

web the american robert college of istanbul turkish İstanbul Özel amerikan robert lisesi or robert koleji 'robært ko'lezi often abbreviated as robert or rc is a highly selective

school of the spirit by roberts liardon open library - Feb 26 2022

web jan 1 2011 roberts liardon school of the spirit developing the human spirit paperback january 1 2011 by roberts liardon author 4 7 49 ratings see all

school of the spirit developing the human spirit liardon - Feb 09 2023

web jan 30 1997 buy school of the spirit by roberts liardon from waterstones today click and collect from your local waterstones or get free uk delivery on orders over 25

**school of the spirit developing the human spirit ebook liardon** - Mar 10 2023

web school of the spirit developing the human spirit by liardon roberts isbn 10 0948985119 isbn 13 9780948985119 faith builders world 2011 softcover

**gods generals the revivalists by roberts liardon copy** - Aug 03 2022

web academics the robert college five year high school academic program is unique in turkey it was originally approved by the turkish ministry of national education in 1998

school of the spirit developing the human spirit liardon - Nov 25 2021

**roberts liardon school of the spirit pdf google drive** - Aug 15 2023

web view details request a review learn more

*the school of the spirit operating powerfully in the spirit realm* - Jan 28 2022

web request a review learn more signature pending

*performedia com* - Feb 26 2022

web performedia com

express publishing blockbuster 2 test key app piphany com - Mar 30 2022

web express publishing blockbuster 2 test key getting the books express publishing blockbuster 2 test key now is not type of inspiring means you could not isolated

**express publishing blockbuster 2 test key book** - Oct 05 2022

web apr 24 2023 express publishing blockbuster 2 test key writing the blockbuster novel aug 07 2022 describes the

essential elements of a blockbuster novel and shares trade

**express publishing blockbuster 2 test key** - Apr 30 2022

web express publishing blockbuster 2 test key is available in our book collection an online access to it is set as public so you can download it instantly our digital library spans in

blockbuster 2 express publishing - Apr 11 2023

web blockbuster is designed for learners studying english at beginner to intermediate level the series follows the principles of the common european framework of reference and

express publishing blockbuster 2 test key pdf yvc moeys gov - Dec 07 2022

web pretentiousness to get those all we manage to pay for express publishing blockbuster 2 test key and numerous ebook collections from fictions to scientific research in any way

**exams express publishing** - May 12 2023

web exams express publishing free shipping on orders over 60 track your order eur eur usd a2 key for schools b1 preliminary b1 preliminary for schools fce

*express publishing elt english language teaching books* - Oct 25 2021

web express publishing is a highly respected publisher who continuously raises the standards of english language teaching elt blockbuster is designed for learners studying

*how to generate a new extended public key xpub* - Jun 01 2022

web apr 22 2018 i would like to do it inside json rpc because that would help automate testing but i ultimately don t care how i get them they are for testing address

**blockbuster 2 купить по лучшей цене express publishing** - Dec 27 2021

web Предлагаем купить blockbuster 2 в широком ассортименте Товаров в каталоге 7 Низкие цены Быстрая доставка 7 911 9275322

**express publishing blockbuster 2 test key copy uniport edu** - Mar 10 2023

web mar 17 2023 express publishing blockbuster 2 test key 1 7 downloaded from uniport edu ng on march 17 2023 by guest express publishing blockbuster 2 test

**express publishing blockbuster 2 test key eric shanower pdf** - Sep 04 2022

web as this express publishing blockbuster 2 test key it ends taking place subconscious one of the favored book express publishing blockbuster 2 test key collections that

**how do i unblock publisher on windows 10 microsoft community** - Nov 25 2021

web aug 26 2015 to unblock a software publisher try the below steps open internet explorer click the tools button and then

click internet options go to the content tab look under

**express publishing blockbuster 2 test key** - Sep 23 2021

web express publishing blockbuster 2 test key article expired the japan times april 10th 2018 news on japan business news opinion sports entertainment and more today s

**express publishing blockbuster 2 test key copy uniport edu** - Feb 09 2023

web jun 21 2023 you have remained in right site to begin getting this info get the express publishing blockbuster 2 test key link that we provide here and check out the link you

**home express publishing** - Nov 06 2022

web express publishing is a highly respected publisher that continuously raises the standards of english language teaching learning buy elt books material free shipping on

**express publishing blockbuster 2 test key pdf old cosmc** - Jul 02 2022

web 2 2 express publishing blockbuster 2 test key 2021 01 12 lawyer sergei magnitsky was beaten to death in a moscow jail browder made it his life s mission to go after his

**push blox 2 on steam** - Jan 28 2022

web about this game challenging block pushing puzzle game where the aim is to connect together all blocks of the same color navigate locks conveyors lasers and other

**free pdf download express publishing blockbuster 2 test key** - Jan 08 2023

web mar 18 2023 express publishing blockbuster 2 test key is understandable in our digital library an online permission to it is set as public therefore you can download it

*blockbuster 2 test booklet cd rom express publishing* - Jun 13 2023

web express publishing toggle menu 0 items in cart view bag cart 0 items in cart view bag our catalogue blog resources teacher s corner resources student s

**blockbuster 2 student s book express publishing** - Jul 14 2023

web blockbuster is designed for learners studying english at beginner to intermediate level the series follows the principles of the common european framework of reference and

**express publishing elt english language teaching books** - Aug 15 2023

web express publishing is a highly respected publisher who continuously raises the standards of english language teaching elt blockbuster is designed for learners studying

**express publishing blockbuster 2 test key** - Aug 03 2022

web express publishing blockbuster 2 test key author laurenz schierokauer from support tautrust org subject express

publishing blockbuster 2 test key keywords

*gehl 603 compact excavator service manual 918160a 2005* - Apr 27 2022

web gehl 603 compact excavator service manual 918160a 2005 size 21 9 mb type of file pdf language en english brand gehl heavy equipment machine compact excavator document service manual model 603 compact excavator publication date 2005 pages 180 pages book number 918160a full gehl construction pdf

*gehl excavator operator manual pdf truckmanualsnet* - Jul 31 2022

web the gehl excavator operator manual pdf above the page ge802 gehl company was founded in 1859 originally the specialization of the company was the production of agricultural equipment its modern name was given to the company in 1967 1973 gehl begins production of mini loaders with a side turn

**gehl 253 303 353 373 compact excavator service manual** - Apr 08 2023

web feb 22 2023 b excavator gehl 253 303 353 and 373 the extended maintenance interval up to 500 hrs is only valid for excavators with yanmar engines starting with serial no ad00001

*gehl heavy equipment excavator updated 2022 pdf service manual* - Sep 01 2022

web mar 19 2022 gehl heavy equipment excavator updated 2022 pdf service manual size 734 mb format pdf language english brand gehl heavy equipment type of machine

**gehl 503z compact excavator service manual 918159 04 2009** - Nov 03 2022

web gehl 503z compact excavator service manual 918159 04 2009 size 23 6 mb type of file pdf language en english brand gehl heavy equipment machine compact excavator document service manual model 503z compact excavator publication date 04 2009 serial number ac02471 and up pages 206 pages book number 918159 full

[gehl agriculture and construction service manual pdf download gehl](#) - Jan 05 2023

web the factory authorized gehl pdf service manuals we have available online here are the finest standard reference for all gehl equipment repairs the technical service manual is an extremely clear and highly detailed manual originally designed for the shop mechanics at the gehl dealer

**compact construction equipment and agriculture machine gehl** - Oct 14 2023

web check out our machines and attachments skid steer telehandler skid loader track loader articulated loaders quickly access specs services and gehl dealers near you

**gehl 253 303 353 373 compact excavator service repair manual** - Aug 12 2023

web this service manual covers comprehensive maintenance and repair procedures troubleshooting and detailed illustrations download today and get the full repair manual for your reference service repair models covered gehl 253 compact excavator gehl 303 compact excavator gehl 353 compact excavator gehl 373 compact excavator



**gehl z35 gen2 350z nex2 compact excavator service repair manual** - Oct 02 2022

web all technical details taken directly from the manufacturer can be found in this manual it is the factory manual from the manufacturer gehl z35 gen2 350z nex2 compact excavator service repair manual is the same manual used by professional technicians mechanics and workshops around the world

**gehl 153 193 223 compact excavator service repair manual** - May 09 2023

web gehl 153 193 223 compact excavator service repair manual pdf download this highly detailed repair manual covers all repairs and servicing all technical details taken directly from the manufacturer can be found in this

*compact excavators operator s manual midtn equipment services* - Jul 11 2023

web adjusting maintaining and servicing the compact excavator more important this manual provides an operating plan for safe and proper use of the machine major points of safe operation are detailed in chapter 2 safety gehl company asks that you read and understand the contents of this manual competely and become

**gehl 253 303 353 373 compact excavator service manual** - Sep 13 2023

web book number 918148a full gehl construction pdf gehl construction equipment service manuals dvd 4 89 gb pdf 2022 gehl 253 303 353 373 compact excavator service manual 918148a size 6 9 mb type of file pdf language en english brand gehl heavy equipment machine

**gehl compact excavator operators manual updated 2022 pdf** - May 29 2022

web content gehl compact excavator 753z ge803 operators manual 918074 08 2011 pdf gehl compact excavator ge153 ge193 ge223 operators manual 909824 10 2011 pdf gehl compact excavator ge253 ge303 ge353 ge373 operators manual 909772 12 2011 pdf gehl compact excavator ge283z operators manual 918254 01 2012 pdf

**gehl service repair manuals pdf servicemanualperfect** - Jun 10 2023

web gehl z80 compact excavator operator s manual this is complete operator s manual for gehl z80 compact excavator your machine has been designed and built to the highest standards of quality it conforms to all current safety 7 95 purchase gehl z45 compact excavator operator s manual

*gehl 802 compact excavator service repair manual pdf* - Feb 23 2022

web gehl 802 compact excavator service repair manual has easy to read text sections with top quality diagrams and instructions will guide you through fundamentals of maintaining and repairing step by step to teach you what the factory trained technicians already know by

**gehl skid steer loaders service repair and maintenance manuals** - Jun 29 2022

web jan 11 2023 gehl 383z compact excavator operator s manual pdf 19 2mb download gehl 418t wheel loader operator s manual pdf 2 9mb download gehl 4610 4615 skid loaders operator s and maintenance manual pdf 8 2mb download gehl 503z

603 compact excavator operator s manual pdf 12mb download gehl 5625 skid  
form no ge353 373 compact excavators midtn equipment services - Feb 06 2023

web compact excavators parts manual introduction when ordering service parts specify the correct part number full  
description quantity required the unit model number and serial number for your safety and continued proper operation use  
gehl z27 270z z35 350z compact excavator service repair manual - Mar 27 2022

web gehl z27 270z z35 350z compact excavator service repair manual has easy to read text sections with top quality  
diagrams and instructions will guide you through fundamentals of maintaining and repairing step by step to teach you what  
the factory trained technicians already know by heart

**gehl user manuals download manualslib** - Mar 07 2023

web view download of more than 72 gehl pdf user manuals service manuals operating guides compact loader front end  
loaders user manuals operating guides specifications

gehl compact excavator service manual updated 2022 pdf - Dec 04 2022

web gehl compact excavator z45 gen2 450z nxt2 service manual 50940272 10 2014 pdf gehl compact excavator z45 450z  
service manual 50940111 10 2012 pdf gehl compact excavator z55 550z service manual 50940331 10 2015 pdf gehl compact  
excavator z80 gen2 800z nxt2 service manual 50940326 05 2015 pdf