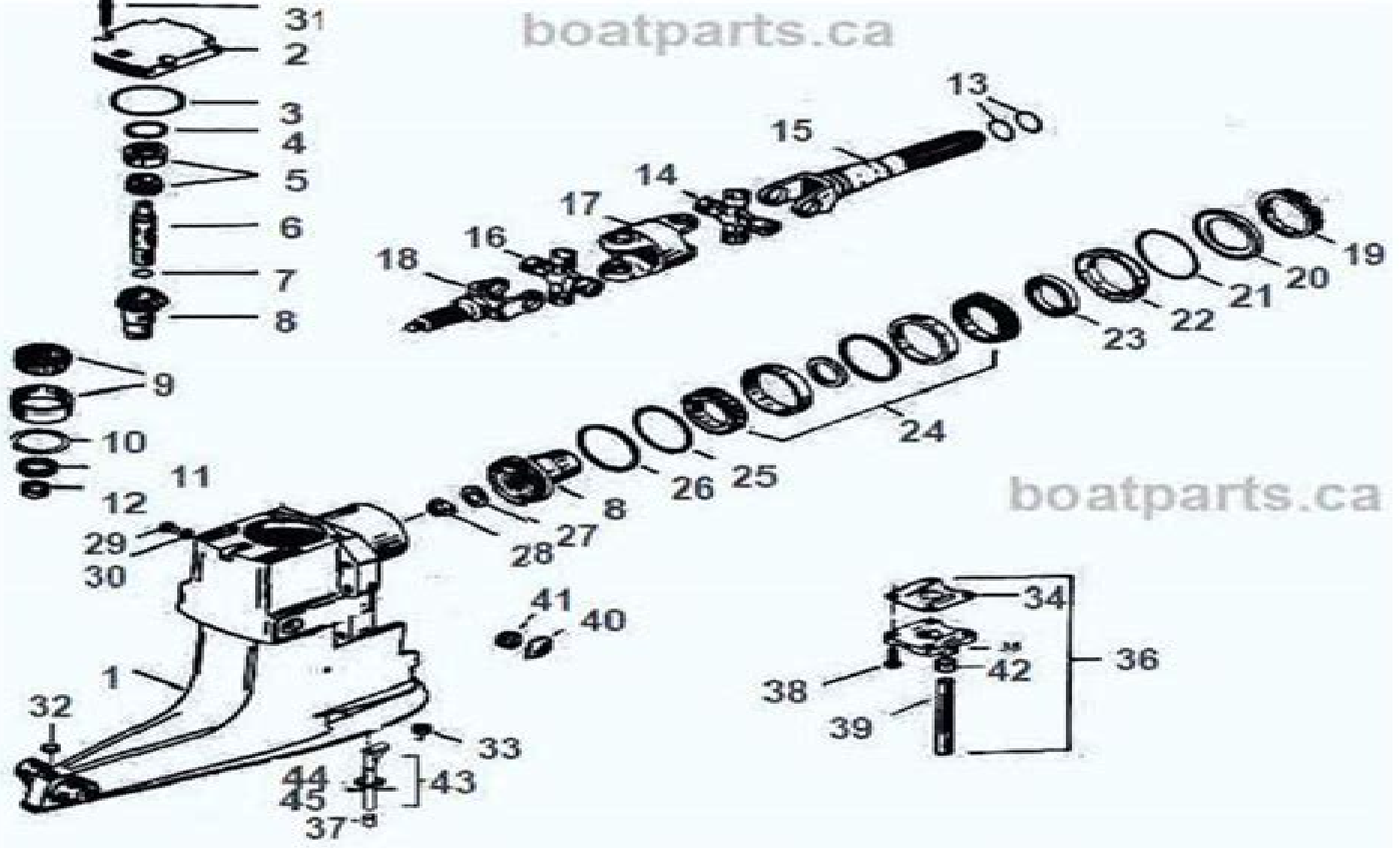


boatparts.ca



boatparts.ca

Mercruiser / Alpha One

boatparts.ca

Mercuriser Alpha One 3 0 Diagram

D Siedentop



Mercuriser Alpha One 3 0 Diagram:

Boating ,1994-07 **Boating** ,1989-07 **Popular Mechanics** ,2003-07 Popular Mechanics inspires instructs and influences readers to help them master the modern world Whether it s practical DIY home improvement tips gadgets and digital technology information on the newest cars or the latest breakthroughs in science PM is the ultimate guide to our high tech lifestyle **Subject Guide to Books in Print** ,2001 **Boating** ,1998-01 **Boating** ,2002-10 **Boating** ,1999-11 **Popular Mechanics** ,1986-07 Popular Mechanics inspires instructs and influences readers to help them master the modern world Whether it s practical DIY home improvement tips gadgets and digital technology information on the newest cars or the latest breakthroughs in science PM is the ultimate guide to our high tech lifestyle *Subject Guide to Children's Books in Print 1997* Bowker Editorial Staff,R R Bowker Publishing,1996-09 **American Book Publishing Record** ,1990 **Boating** ,1994-07 **Boating** ,1999-12 **Boating** ,2006-05 **Forthcoming Books** Rose Arny,1992 **Michigan Boating Annual** ,1989 **Lakeland Boating** ,1991-07 *National Fisherman* ,1988 **Australian Fisheries** ,1969

When people should go to the books stores, search opening by shop, shelf by shelf, it is essentially problematic. This is why we present the books compilations in this website. It will utterly ease you to see guide **Merccruiser Alpha One 3 0 Diagram** as you such as.

By searching the title, publisher, or authors of guide you in reality want, you can discover them rapidly. In the house, workplace, or perhaps in your method can be every best place within net connections. If you endeavor to download and install the Merccruiser Alpha One 3 0 Diagram, it is enormously simple then, previously currently we extend the link to buy and make bargains to download and install Merccruiser Alpha One 3 0 Diagram appropriately simple!

<https://new.webyeshiva.org/results/scholarship/default.aspx/97%20Monte%20Carlo%20Repair%20Manual.pdf>

Table of Contents Merccruiser Alpha One 3 0 Diagram

1. Understanding the eBook Merccruiser Alpha One 3 0 Diagram
 - The Rise of Digital Reading Merccruiser Alpha One 3 0 Diagram
 - Advantages of eBooks Over Traditional Books
2. Identifying Merccruiser Alpha One 3 0 Diagram
 - Exploring Different Genres
 - Considering Fiction vs. Non-Fiction
 - Determining Your Reading Goals
3. Choosing the Right eBook Platform
 - Popular eBook Platforms
 - Features to Look for in an Merccruiser Alpha One 3 0 Diagram
 - User-Friendly Interface
4. Exploring eBook Recommendations from Merccruiser Alpha One 3 0 Diagram
 - Personalized Recommendations
 - Merccruiser Alpha One 3 0 Diagram User Reviews and Ratings
 - Merccruiser Alpha One 3 0 Diagram and Bestseller Lists

5. Accessing Mercuriser Alpha One 3 0 Diagram Free and Paid eBooks
 - Mercuriser Alpha One 3 0 Diagram Public Domain eBooks
 - Mercuriser Alpha One 3 0 Diagram eBook Subscription Services
 - Mercuriser Alpha One 3 0 Diagram Budget-Friendly Options
6. Navigating Mercuriser Alpha One 3 0 Diagram eBook Formats
 - ePub, PDF, MOBI, and More
 - Mercuriser Alpha One 3 0 Diagram Compatibility with Devices
 - Mercuriser Alpha One 3 0 Diagram Enhanced eBook Features
7. Enhancing Your Reading Experience
 - Adjustable Fonts and Text Sizes of Mercuriser Alpha One 3 0 Diagram
 - Highlighting and Note-Taking Mercuriser Alpha One 3 0 Diagram
 - Interactive Elements Mercuriser Alpha One 3 0 Diagram
8. Staying Engaged with Mercuriser Alpha One 3 0 Diagram
 - Joining Online Reading Communities
 - Participating in Virtual Book Clubs
 - Following Authors and Publishers Mercuriser Alpha One 3 0 Diagram
9. Balancing eBooks and Physical Books Mercuriser Alpha One 3 0 Diagram
 - Benefits of a Digital Library
 - Creating a Diverse Reading Collection Mercuriser Alpha One 3 0 Diagram
10. Overcoming Reading Challenges
 - Dealing with Digital Eye Strain
 - Minimizing Distractions
 - Managing Screen Time
11. Cultivating a Reading Routine Mercuriser Alpha One 3 0 Diagram
 - Setting Reading Goals Mercuriser Alpha One 3 0 Diagram
 - Carving Out Dedicated Reading Time
12. Sourcing Reliable Information of Mercuriser Alpha One 3 0 Diagram
 - Fact-Checking eBook Content of Mercuriser Alpha One 3 0 Diagram
 - Distinguishing Credible Sources
13. Promoting Lifelong Learning

- Utilizing eBooks for Skill Development
 - Exploring Educational eBooks
14. Embracing eBook Trends
- Integration of Multimedia Elements
 - Interactive and Gamified eBooks

Mercuriser Alpha One 3 0 Diagram Introduction

Mercuriser Alpha One 3 0 Diagram Offers over 60,000 free eBooks, including many classics that are in the public domain. Open Library: Provides access to over 1 million free eBooks, including classic literature and contemporary works. Mercuriser Alpha One 3 0 Diagram Offers a vast collection of books, some of which are available for free as PDF downloads, particularly older books in the public domain. Mercuriser Alpha One 3 0 Diagram : This website hosts a vast collection of scientific articles, books, and textbooks. While it operates in a legal gray area due to copyright issues, its a popular resource for finding various publications. Internet Archive for Mercuriser Alpha One 3 0 Diagram : Has an extensive collection of digital content, including books, articles, videos, and more. It has a massive library of free downloadable books. Free-eBooks Mercuriser Alpha One 3 0 Diagram Offers a diverse range of free eBooks across various genres. Mercuriser Alpha One 3 0 Diagram Focuses mainly on educational books, textbooks, and business books. It offers free PDF downloads for educational purposes. Mercuriser Alpha One 3 0 Diagram Provides a large selection of free eBooks in different genres, which are available for download in various formats, including PDF. Finding specific Mercuriser Alpha One 3 0 Diagram, especially related to Mercuriser Alpha One 3 0 Diagram, might be challenging as theyre often artistic creations rather than practical blueprints. However, you can explore the following steps to search for or create your own Online Searches: Look for websites, forums, or blogs dedicated to Mercuriser Alpha One 3 0 Diagram, Sometimes enthusiasts share their designs or concepts in PDF format. Books and Magazines Some Mercuriser Alpha One 3 0 Diagram books or magazines might include. Look for these in online stores or libraries. Remember that while Mercuriser Alpha One 3 0 Diagram, sharing copyrighted material without permission is not legal. Always ensure youre either creating your own or obtaining them from legitimate sources that allow sharing and downloading. Library Check if your local library offers eBook lending services. Many libraries have digital catalogs where you can borrow Mercuriser Alpha One 3 0 Diagram eBooks for free, including popular titles. Online Retailers: Websites like Amazon, Google Books, or Apple Books often sell eBooks. Sometimes, authors or publishers offer promotions or free periods for certain books. Authors Website Occasionally, authors provide excerpts or short stories for free on their websites. While this might not be the Mercuriser Alpha One 3 0 Diagram full book , it can give you a taste of the authors writing style. Subscription Services Platforms like Kindle Unlimited or Scribd offer subscription-based

access to a wide range of Mercuriser Alpha One 3 0 Diagram eBooks, including some popular titles.

FAQs About Mercuriser Alpha One 3 0 Diagram Books

How do I know which eBook platform is the best for me? Finding the best eBook platform depends on your reading preferences and device compatibility. Research different platforms, read user reviews, and explore their features before making a choice. Are free eBooks of good quality? Yes, many reputable platforms offer high-quality free eBooks, including classics and public domain works. However, make sure to verify the source to ensure the eBook credibility. Can I read eBooks without an eReader? Absolutely! Most eBook platforms offer web-based readers or mobile apps that allow you to read eBooks on your computer, tablet, or smartphone. How do I avoid digital eye strain while reading eBooks? To prevent digital eye strain, take regular breaks, adjust the font size and background color, and ensure proper lighting while reading eBooks. What the advantage of interactive eBooks? Interactive eBooks incorporate multimedia elements, quizzes, and activities, enhancing the reader engagement and providing a more immersive learning experience. Mercuriser Alpha One 3 0 Diagram is one of the best book in our library for free trial. We provide copy of Mercuriser Alpha One 3 0 Diagram in digital format, so the resources that you find are reliable. There are also many Ebooks of related with Mercuriser Alpha One 3 0 Diagram. Where to download Mercuriser Alpha One 3 0 Diagram online for free? Are you looking for Mercuriser Alpha One 3 0 Diagram PDF? This is definitely going to save you time and cash in something you should think about.

Find Mercuriser Alpha One 3 0 Diagram :

[97 monte carlo repair manual](#)

[naughty bedtime stories 1 erotic fairy tales](#)

[manual repair citroen c25](#)

[zenoss suse 10 install guide](#)

354 international tractor parts

land use issues of the 1980s

[mini cooper service manual r50](#)

the marriage medallion

standard 2015 and 2016 all subject weaihtage

[*1 000 artist journal pages personal pages and inspirations dawn devries sokol*](#)

manual for bissell powersteamer pro deluxe

methematics n4 april 2014 memo

envy abridged

ein lilienweiber brief aus lincolnshire gedichte aus 21 jahren

2008 ap calc ab multiple choice answers

Mercuriser Alpha One 3 0 Diagram :

molecular exercise physiology an introduction amazon com - Jan 26 2023

web it introduces a history documenting the emergence of molecular biology techniques to investigate exercise physiology the methodology used exercise genetics and

molecular exercise physiology an introduction google books - Jun 30 2023

web may 11 2022 it introduces a history documenting the emergence of molecular biology techniques to investigate exercise physiology the methodology used exercise

molecular exercise physiology oxford textbook of children s - Jun 18 2022

web may 11 2022 in this chapter we define molecular exercise physiology and provide a history of the evolution of molecular exercise physiology as a scientific discipline we

introduction to molecular exercise physiology request pdf - May 18 2022

web may 12 2022 fully revised and expanded the second edition of molecular exercise physiology offers a student friendly introduction it introduces a history documenting

molecular exercise physiology an introduction - Feb 24 2023

web apr 25 2014 molecular exercise physiology an introduction is the first student friendly textbook to be published on this key topic in contemporary sport and exercise science it

molecular exercise physiology an introduction paperback - May 30 2023

web molecular exercise physiology an introduction sharples adam morton james wackerhage henning amazon sg books

molecular exercise physiology an introduction amazon com - Nov 23 2022

web may 11 2022 molecular exercise physiology an introduction 2nd edition kindle edition by adam p sharples editor henning wackerhage editor 1 more format

molecular exercise physiology an introduction routledge - Oct 03 2023

web nov 5 2022 it introduces a history documenting the emergence of molecular biology techniques to investigate exercise physiology the methodology used exercise genetics and epigenetics and the molecular mechanisms that lead to adaptation

after different

[molecular exercise physiology an introduction google books](#) - Apr 28 2023

web feb 24 2014 molecular exercise physiology an introduction is the first student friendly textbook to be published on this key topic in contemporary sport and exercise

molecular exercise physiology an introduction request pdf - Mar 28 2023

web may 11 2022 it introduces a history documenting the emergence of molecular biology techniques to investigate exercise physiology the methodology used exercise

molecular exercise physiology an introduction pdf - Jan 14 2022

web it introduces a history documenting the emergence of molecular biology techniques to investigate exercise physiology the methodology used exercise genetics and

molecular exercise physiology an introduction adam sharples - Sep 02 2023

web may 12 2022 this book is essential reading for upper level undergraduate or postgraduate courses in cellular and molecular exercise physiology and muscle physiology it is a

molecular exercise physiology an introduction paperback - Apr 16 2022

web molecular exercise physiology an introduction by adam sharples editor james morton editor henning wackerhage editor alibris buy molecular exercise

[molecular exercise physiology an introduction amazon com](#) - Oct 23 2022

web jan 25 2022 molecular exercise physiology an introduction is the first student friendly textbook to be published on this key topic in contemporary sport and exercise

molecular exercise physiology an introduction alibris - Mar 16 2022

web oct 30 2023 accelerated biological vascular ageing is still a major driver of the increasing burden of cardiovascular disease and mortality exercise training delays this process

molecular exercise physiology an introduction henning - Aug 01 2023

web feb 27 2014 molecular exercise physiology an introduction is the first student friendly textbook to be published on this key topic in contemporary sport and exercise

molecular exercise physiology an introduction paperback - Aug 21 2022

web fully revised and expanded the second edition of molecular exercise physiology offers a stude molecular exercise physiology an introduction by adam sharples

molecular exercise physiology an introduction hardcover - Nov 11 2021

molecular exercise physiology an introduction goodreads - Jul 20 2022

web apr 1 2017 molecular exercise physiology is the study of exercise physiology using molecular biology methods the development of differentiated cell types is regulated by

molecular exercise physiology an introduction google books - Dec 13 2021

web may 12 2022 adam p sharples phd is a professor of molecular physiology and epigenetics at the norwegian school of sport sciences nih oslo norway an institute

molecular exercise physiology an introduction by sharples - Dec 25 2022

web may 12 2022 it introduces a history documenting the emergence of molecular biology techniques to investigate exercise physiology the methodology used exercise

molecular exercise physiology an introduction free download - Sep 21 2022

web may 12 2022 adam p sharples phd is a professor of molecular physiology and epigenetics at the norwegian school of sport sciences nih oslo norway an institute

training the vessels molecular and clinical effects of exercise - Feb 12 2022

web physiological sciences introduction to physiology mar 14 2021 an introductory guide to anatomy physiology jun 16 2021 this book provides a solid introduction to the

fundamentals of body mri 2e fundamentals of radiology - Sep 08 2023

web fundamentals of body mri 2nd edition by drs christopher roth and sandeep deshmkh covers the essential concepts residents fellows and practitioners need to

2nd edition amazon com spend less smile more - Aug 07 2023

web sep 1 2012 fundamentals of body mri published online sep 1 2012 doi org 10 1148 radiol 12124033 full text pdf tools share article history

fundamentals of body mri fundamentals of radiology z library - Jul 26 2022

web this easy to use title in the fundamentals of radiology series covers all common body mr imaging indications and conditions while providing new content on physics and

fundamentals of body mri fundamentals of radiology lynn n - Oct 17 2021

body mri imaging protocols techniques and lessons learned - Feb 01 2023

web this easy to use title in the fundamentals of radiology series covers all common body mr imaging indications and conditions while providing new content on physics and

fundamentals of body mri e book fundamentals of radiology - Oct 29 2022

web jul 19 2016 this easy to use title in the fundamentals of radiology series covers all common body mr imaging indications and conditions while providing new content on

fundamentals of body mri sciencedirect - Oct 09 2023

web fundamentals of body mri a new title in the fundamentals of radiology series explains and defines key concepts in body mri so you can confidently make radiologic diagnoses dr christopher g roth presents comprehensive guidance on

fundamentals of body mri 2nd edition elsevier - Sep 27 2022

web this easy to use title in the fundamentals of radiology series covers all common body mr imaging indications and conditions while providing new content on physics and

fundamentals of body mri fundamentals of radiology - May 24 2022

web jul 1 2005 abstract learning the basic concepts required to understand magnetic resonance mr imaging is a straightforward process although the individual concepts

fundamentals of body mri 9780323833813 - May 04 2023

web fundamentals of body mri 3rd edition this item will be released on 05 02 2024 pre order now and we will deliver on the release date effectively perform and interpret mr

fundamentals of body mri 9780323431415 elsevier health - Aug 27 2022

web discover fundamentals of body mri fundamentals of radiology book an intriguing read explore fundamentals of body mri fundamentals of radiology in z library and

fundamentals of body mri expert consult series academic - Nov 29 2022

web jul 19 2016 this easy to use title in the fundamentals of radiology series covers all common body mr imaging indications and conditions while providing new content on

best radiology courses certificates online 2023 coursera - Nov 17 2021

web fundamentals of body mri fundamentals of radiology that we will certainly offer it is not on the costs its more or less what you craving currently this fundamentals of

fundamentals of body mri expert consult online and print - Jan 20 2022

web effectively perform and interpret mr body imaging with this concise highly illustrated resource fundamentals of body mri 2nd edition by drs christopher roth and

fundamentals of body mri fundamentals of radiology - Jun 05 2023

web fundamentals of body mri 3rd edition covers the essential concepts residents fellows and practitioners need to know laying a solid foundation for understanding the basics

fundamentals of body mri 9780323833813 elsevier health - Apr 03 2023

web this easy to use title in the fundamentals of radiology series covers all common body mr imaging indications and conditions while providing new content on physics and

fundamental physics of mr imaging radiographics - Apr 22 2022

web sep 13 2016 this easy to use title in the fundamentals of radiology series covers all common body mr imaging indications and conditions while providing new content on

fundamentals of body mri fundamentals of radiology - Jun 24 2022

web this easy to use title in the fundamentals of radiology series covers all common body mr imaging indications and conditions while providing new content on body mri

fundamentals of body mri google books - Mar 22 2022

web sep 1 2012 isbn 978 0 4160 5183 1 softcover 79 95 pp 376 fundamentals of body mri is a welcome addition to the well known fundamentals of radiology series this

fundamentals of body mri radiology deepdive - Feb 18 2022

web sep 27 2011 fundamentals of body mri a new title in the fundamentals of radiology series explains and defines key concepts in body mri so you can confidently make

[fundamentals of body mri 9780323431415](#) - Dec 31 2022

web jan 14 2013 fundamentals of body mri is part of saunders elsevier s fundamentals of radiology series readers familiar with that series will find this text to be consistent with

fundamentals of body mri 2nd edition fundamentals of - Dec 19 2021

web in summary here are 10 of our most popular radiology courses visualizing the living body diagnostic imaging yale university mri fundamentals korea advanced

fundamentals of body mri radiology rsna publications online - Jul 06 2023

web jul 19 2016 this easy to use title in the fundamentals of radiology series covers all common body mr imaging indications and conditions while providing new content on

fundamentals of body mri 2e fundamentals of radiology - Mar 02 2023

web sep 16 2022 body mri has evolved from a niche subspecialty to a standard modality in the practice of abdominal radiology however the practicing radiologist may feel

results for text structure passages 4th grade tpt - Jan 11 2023

web created by magicore this collection of 14 digital and printable lexile leveled passages and question sets aligned to ri 4 5 are perfect for teaching developing or reinforcing text structure skills google slides version is perfect for google classroom integration and distance learning

text structures teaching resources for 4th grade teach starter - Jan 31 2022

web bring text structures to life in the classroom with text structure posters for your classroom walls printable worksheets and downloadable text structure

passages for teaching 4th graders text structure book - Sep 07 2022

web fourth graders are organized by topics familiar to the student such as colors clothing food family and animals each lesson includes a simple to follow teacher lesson plan a practice page and activity pages

implementing the text structure strategy in your classroom - May 03 2022

web introduction the text structure strategy stems from research showing that the content of most texts is organized using a hierarchical structure the information presented higher in the content structure of a text is connected to better recall than information presented lower in the content structure meyer 1975

16 engaging text structures activities teaching expertise - Jun 04 2022

web jan 16 2023 16 engaging text structures activities january 16 2023 by seda unlucay studying text structures can help students improve their reading comprehension and writing skills while developing critical thinking and analytical abilities this collection of high interest and high engagement resources covers the five key types of informational

comprehension text structure grade 4 amplify - Jun 16 2023

web goal students learn to identify and use text structures to support comprehension time 2 days each 30 35 minutes class size small group sample passage title cell phones past present and future materials needed copies of the passage copies of text structure organizer genre informational grade 4

free text structure activities teaching with jennifer findley - Sep 19 2023

web mar 8 2020 but it is not always an easy skill for our students to master and especially at the rigor required this post will share a few free text structure activities and resources to help you teach this tricky but important reading skill to your 4th and 5th graders free text structure bookmark

problem and solution text structure practice free printable - Apr 14 2023

web use this free resource to help your 3rd 4th and 5th grade students better understand the problem and solution nonfiction text structure you can never have too many text structures resources especially when you can get it for free

text structure worksheets english worksheets land - Nov 09 2022

web the activities that you will find available for teachers and students here will help students identify common text structures such as sequences descriptions compare contrast cause effect and problem solution these worksheets are very helpful for students to learn the various strategies that writers will use along the way

passages for teaching 4th graders text structure 2023 - Mar 01 2022

web passages for teaching 4th graders text structure grade 4 reading may 18 2021 with our unique step by step lessons children gain confidence in their comprehension skills so they are eager to read more our reading workbooks use a combination of phonics and whole language instruction to make reading feel effortless

4th grade writing passages teaching resources teachers - Apr 02 2022

web 19 3 00 pdf grade 4 georgia milestones writing test prep improve gmas writing scores with this practice set designed to help 4th grade students excel includes three original passages on the same topic two writing prompts 1 informative and 1 explanatory and a planning sheet with blank lined writing pages

[mentor texts for reading teaching with jennifer findley](#) - Dec 10 2022

web jun 13 2018 informational text structures is one of my favorite nonfiction reading units to teach once students start to see how information is organized in a text it really helps their comprehension and understanding of the text and it also helps them become stronger informational text writers

how to teach text structures 5 types of informational text - Jul 17 2023

web our favorite fourth grade teacher ms sneed studied her standards documents and read aloud describe the overall structure e g chronology comparison cause effect problem solution of events ideas concepts or information in a text or part of a text

free resources for text structure teaching with jennifer findley - May 15 2023

web description compare and contrast chronological order problem and solution cause and effect text structure sort cards text structure sort name answer key date use these mats to have students dig deeper with text structure and apply the skill while reading in small groups or independently topic of the

text structure passages grade 4 teaching resources tpt - Mar 13 2023

web new students will identify text structures of paragraphs and entire passages this includes comparing and contrasting the structures of two texts and describing the role of paragraphs in helping a student s understanding the text structures found in this resource are chronology comparison cause effect and problem solution students will

text structures 4th grade teaching resources tpt - Feb 12 2023

web created by magicore this collection of 14 digital and printable lexile leveled passages and question sets aligned to ri 4 5 are perfect for teaching developing or reinforcing text structure skills google slides version is perfect for google classroom integration and distance learning

text structure grade 4 worksheets learny kids - Aug 06 2022

web text structure grade 4 displaying top 8 worksheets found for text structure grade 4 some of the worksheets for this concept are identifying text structure resources for text structure grade 4 mp 2 nonfiction unit guide and resources pure text

paragraphs 4th and 5th grade writing folder reading informational text s comprehension text
[text structure worksheets 4th grade teaching resources tpt](#) - Oct 08 2022

web this bundle gives you 7 resources that you can use to teach your nonfiction text structure in 3rd 4th or 5th grade you ll
get anchor charts task cards reading passages graphic organizers sorting activity worksheets and more you ll save so much
time not having to search for resources to teach nonfiction text structure

teaching text structure and what to do when students - Aug 18 2023

web mar 14 2020 text structure is a very powerful reading skill that can really help students make sense of and analyze
informational text this post shares tips for teaching text structure including pre requisite skills all the different text structure
skills and strategies for when students struggle

[4th grade nonfiction text structure teaching resources tpt](#) - Jul 05 2022

web 4th grade nonfiction text structure teaching resources tpt results for 4th grade nonfiction text structure 560 results sort
by relevance view list text structure in nonfiction 4th grade ri 4 5 reading passages for ri4 5 created by magicore