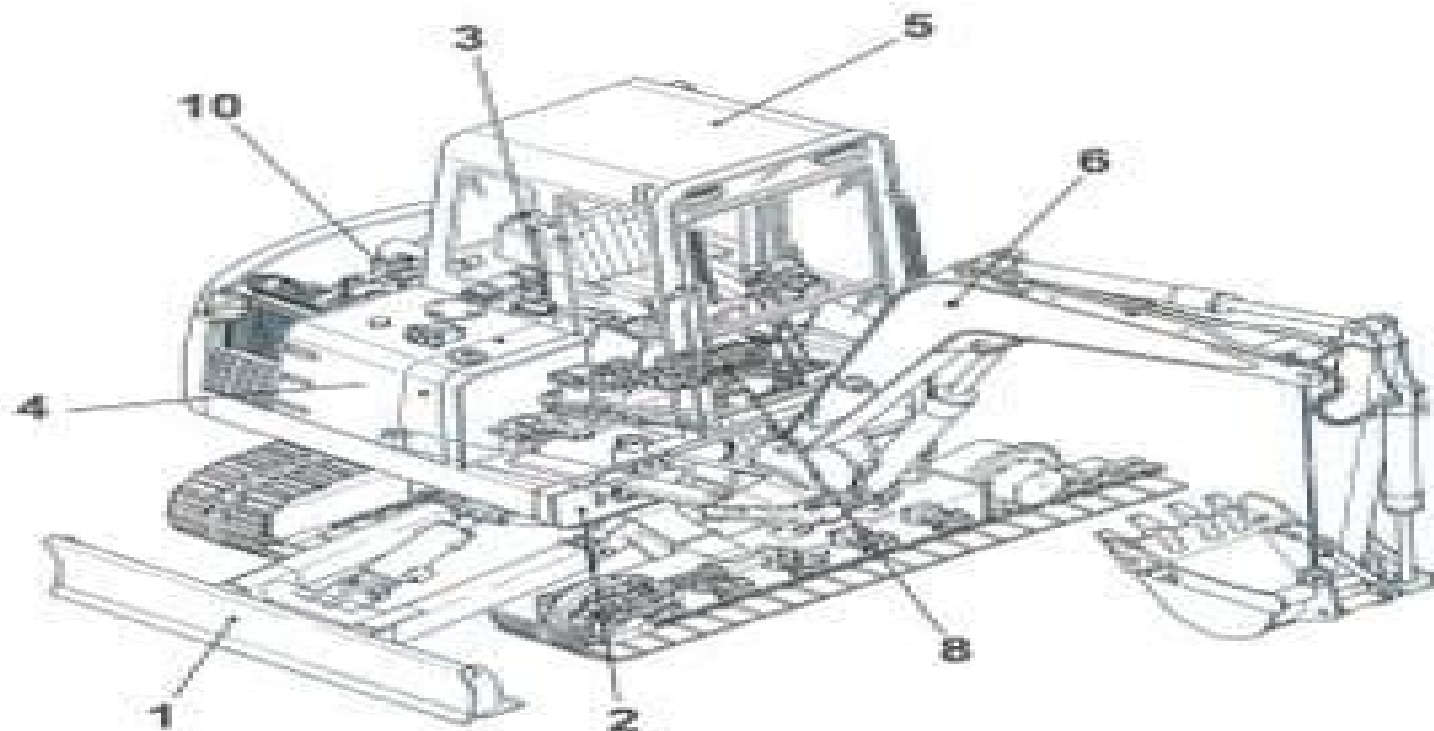


TB045

Book No. PK2-10225

Serial No. 1455001-1456876



Takeuchi Tb045 Compact Excavator Parts Manual

Caterpillar Inc. Peoria, Ill..



Takeuchi Tb045 Compact Excavator Parts Manual:

Parts Manual Caterpillar Inc. Peoria, Ill.,1993 *Parts Manual* Caterpillar Inc. Peoria, Ill.,1995 Parts Manual
Caterpillar Inc. Peoria, Ill.,1996 *Parts Manual* Caterpillar Inc. Peoria, Ill.,1990 **Parts Manual** Caterpillar Inc.
Peoria, Ill.,1994 Parts Manual Caterpillar Inc. Peoria, Ill.,1995 **Parts Manual** Caterpillar Inc. Peoria, Ill.,1994
Parts Manual Caterpillar Inc. Peoria, Ill.,1993 *Parts Manual* Caterpillar Inc. Peoria, Ill.,1995 *Parts Manual*
Caterpillar Inc. Peoria, Ill.,1993 Parts Manual Caterpillar Inc. Peoria, Ill.,1992 **Parts Manual** Caterpillar Inc.
Peoria, Ill.,1992 **Parts Manual** Caterpillar Inc. Peoria, Ill.,1995 **Parts Manual** Caterpillar Inc. Peoria, Ill.,1996
Parts Manual Caterpillar Inc. Peoria, Ill.,1994 **Parts Manual** Caterpillar Inc. Peoria, Ill.,1994 **Parts Manual**
Caterpillar Inc. Peoria, Ill.,1994 **Parts Manual** Caterpillar Inc. Peoria, Ill.,1994 *Parts Manual* Caterpillar Inc.
Peoria, Ill.,1998

Takeuchi Tb045 Compact Excavator Parts Manual Book Review: Unveiling the Power of Words

In a global driven by information and connectivity, the power of words has be evident than ever. They have the ability to inspire, provoke, and ignite change. Such could be the essence of the book **Takeuchi Tb045 Compact Excavator Parts Manual**, a literary masterpiece that delves deep to the significance of words and their affect our lives. Compiled by a renowned author, this captivating work takes readers on a transformative journey, unraveling the secrets and potential behind every word. In this review, we will explore the book is key themes, examine its writing style, and analyze its overall effect on readers.

<https://new.webyeshiva.org/book/browse/fetch.php/Multiple%20Choice%20Solving%20Equations%20Word%20Problems.pdf>

Table of Contents Takeuchi Tb045 Compact Excavator Parts Manual

1. Understanding the eBook Takeuchi Tb045 Compact Excavator Parts Manual
 - The Rise of Digital Reading Takeuchi Tb045 Compact Excavator Parts Manual
 - Advantages of eBooks Over Traditional Books
2. Identifying Takeuchi Tb045 Compact Excavator Parts Manual
 - Exploring Different Genres
 - Considering Fiction vs. Non-Fiction
 - Determining Your Reading Goals
3. Choosing the Right eBook Platform
 - Popular eBook Platforms
 - Features to Look for in an Takeuchi Tb045 Compact Excavator Parts Manual
 - User-Friendly Interface
4. Exploring eBook Recommendations from Takeuchi Tb045 Compact Excavator Parts Manual
 - Personalized Recommendations
 - Takeuchi Tb045 Compact Excavator Parts Manual User Reviews and Ratings
 - Takeuchi Tb045 Compact Excavator Parts Manual and Bestseller Lists

5. Accessing Takeuchi Tb045 Compact Excavator Parts Manual Free and Paid eBooks
 - Takeuchi Tb045 Compact Excavator Parts Manual Public Domain eBooks
 - Takeuchi Tb045 Compact Excavator Parts Manual eBook Subscription Services
 - Takeuchi Tb045 Compact Excavator Parts Manual Budget-Friendly Options
6. Navigating Takeuchi Tb045 Compact Excavator Parts Manual eBook Formats
 - ePub, PDF, MOBI, and More
 - Takeuchi Tb045 Compact Excavator Parts Manual Compatibility with Devices
 - Takeuchi Tb045 Compact Excavator Parts Manual Enhanced eBook Features
7. Enhancing Your Reading Experience
 - Adjustable Fonts and Text Sizes of Takeuchi Tb045 Compact Excavator Parts Manual
 - Highlighting and Note-Taking Takeuchi Tb045 Compact Excavator Parts Manual
 - Interactive Elements Takeuchi Tb045 Compact Excavator Parts Manual
8. Staying Engaged with Takeuchi Tb045 Compact Excavator Parts Manual
 - Joining Online Reading Communities
 - Participating in Virtual Book Clubs
 - Following Authors and Publishers Takeuchi Tb045 Compact Excavator Parts Manual
9. Balancing eBooks and Physical Books Takeuchi Tb045 Compact Excavator Parts Manual
 - Benefits of a Digital Library
 - Creating a Diverse Reading Collection Takeuchi Tb045 Compact Excavator Parts Manual
10. Overcoming Reading Challenges
 - Dealing with Digital Eye Strain
 - Minimizing Distractions
 - Managing Screen Time
11. Cultivating a Reading Routine Takeuchi Tb045 Compact Excavator Parts Manual
 - Setting Reading Goals Takeuchi Tb045 Compact Excavator Parts Manual
 - Carving Out Dedicated Reading Time
12. Sourcing Reliable Information of Takeuchi Tb045 Compact Excavator Parts Manual
 - Fact-Checking eBook Content of Takeuchi Tb045 Compact Excavator Parts Manual
 - Distinguishing Credible Sources
13. Promoting Lifelong Learning

- Utilizing eBooks for Skill Development
 - Exploring Educational eBooks
14. Embracing eBook Trends
- Integration of Multimedia Elements
 - Interactive and Gamified eBooks

Takeuchi Tb045 Compact Excavator Parts Manual Introduction

Takeuchi Tb045 Compact Excavator Parts Manual Offers over 60,000 free eBooks, including many classics that are in the public domain. Open Library: Provides access to over 1 million free eBooks, including classic literature and contemporary works. Takeuchi Tb045 Compact Excavator Parts Manual Offers a vast collection of books, some of which are available for free as PDF downloads, particularly older books in the public domain. Takeuchi Tb045 Compact Excavator Parts Manual : This website hosts a vast collection of scientific articles, books, and textbooks. While it operates in a legal gray area due to copyright issues, its a popular resource for finding various publications. Internet Archive for Takeuchi Tb045 Compact Excavator Parts Manual : Has an extensive collection of digital content, including books, articles, videos, and more. It has a massive library of free downloadable books. Free-eBooks Takeuchi Tb045 Compact Excavator Parts Manual Offers a diverse range of free eBooks across various genres. Takeuchi Tb045 Compact Excavator Parts Manual Focuses mainly on educational books, textbooks, and business books. It offers free PDF downloads for educational purposes. Takeuchi Tb045 Compact Excavator Parts Manual Provides a large selection of free eBooks in different genres, which are available for download in various formats, including PDF. Finding specific Takeuchi Tb045 Compact Excavator Parts Manual, especially related to Takeuchi Tb045 Compact Excavator Parts Manual, might be challenging as theyre often artistic creations rather than practical blueprints. However, you can explore the following steps to search for or create your own Online Searches: Look for websites, forums, or blogs dedicated to Takeuchi Tb045 Compact Excavator Parts Manual, Sometimes enthusiasts share their designs or concepts in PDF format. Books and Magazines Some Takeuchi Tb045 Compact Excavator Parts Manual books or magazines might include. Look for these in online stores or libraries. Remember that while Takeuchi Tb045 Compact Excavator Parts Manual, sharing copyrighted material without permission is not legal. Always ensure youre either creating your own or obtaining them from legitimate sources that allow sharing and downloading. Library Check if your local library offers eBook lending services. Many libraries have digital catalogs where you can borrow Takeuchi Tb045 Compact Excavator Parts Manual eBooks for free, including popular titles. Online Retailers: Websites like Amazon, Google Books, or Apple Books often sell eBooks. Sometimes, authors or publishers offer promotions or free periods for certain books. Authors Website Occasionally, authors provide excerpts or short stories for free on their websites. While this might not be the

Takeuchi Tb045 Compact Excavator Parts Manual full book , it can give you a taste of the authors writing style.Subscription Services Platforms like Kindle Unlimited or Scribd offer subscription-based access to a wide range of Takeuchi Tb045 Compact Excavator Parts Manual eBooks, including some popular titles.

FAQs About Takeuchi Tb045 Compact Excavator Parts Manual Books

How do I know which eBook platform is the best for me? Finding the best eBook platform depends on your reading preferences and device compatibility. Research different platforms, read user reviews, and explore their features before making a choice. Are free eBooks of good quality? Yes, many reputable platforms offer high-quality free eBooks, including classics and public domain works. However, make sure to verify the source to ensure the eBook credibility. Can I read eBooks without an eReader? Absolutely! Most eBook platforms offer web-based readers or mobile apps that allow you to read eBooks on your computer, tablet, or smartphone. How do I avoid digital eye strain while reading eBooks? To prevent digital eye strain, take regular breaks, adjust the font size and background color, and ensure proper lighting while reading eBooks. What the advantage of interactive eBooks? Interactive eBooks incorporate multimedia elements, quizzes, and activities, enhancing the reader engagement and providing a more immersive learning experience. Takeuchi Tb045 Compact Excavator Parts Manual is one of the best book in our library for free trial. We provide copy of Takeuchi Tb045 Compact Excavator Parts Manual in digital format, so the resources that you find are reliable. There are also many Ebooks of related with Takeuchi Tb045 Compact Excavator Parts Manual. Where to download Takeuchi Tb045 Compact Excavator Parts Manual online for free? Are you looking for Takeuchi Tb045 Compact Excavator Parts Manual PDF? This is definitely going to save you time and cash in something you should think about.

Find Takeuchi Tb045 Compact Excavator Parts Manual :

~~multiple choice solving equations word problems~~

354 international harvester maintenance manual

n2 diesel mechanic learnerships

accounting practice office procedures manual

american odyssey test answers

standard 11 9 chapter 18 section 2 the cold war heats up

fall down dreams

[non profit procedures manual template](#)

honey and other sonnets

1994 audi 100 thermostat o ring manual

[walther ppk s soft air user manual](#)

[ags world history chapter 26](#)

land use law issues for the eighties

aprilair thermostat 8600 manual

~~audi a6 manual transmission problems~~

Takeuchi Tb045 Compact Excavator Parts Manual :

answers to midterm cpc 2013 mypthub - Jul 07 2022

web answers to midterm cpc 2013 answers to midterm cpc 2013 copy of modifier ceu test scribd informationweek serving the information needs of the democratic party united states wikipedia volcanoes and volcanology geology mcleodgaming mowerpartszone com progreen plus medical coding course online cpc ccs p cmcs dictionary

aapc 2013 cpc midterm answer key medical coding pro - Nov 11 2022

web aapc 2013 cpc midterm answer key eventually you will no question discover a other experience and finishing by spending more cash still when pull off you believe that you require to get those every needs gone having significantly cash why dont you try to get something basic in the beginning

2013 midterm answers docx 2013 midterm cpc answers - Aug 20 2023

web 2013 midterm cpc answers rationales 1 many coding professionals go on to find work as a accountant c medical assistants b consultant d financial planning ans rationale the coding profession has evolved significantly over the past several decades into a career path with unlimited possibilities

[singapore code of practice 13 cp13 pdf scribd](#) - Jun 06 2022

web download now of 56 singapore standard ss cp 13 1999 code of practice for me chanical ventilation and air conditioning in buildings erratum no 1 bott page 47 subctause 13 10 c replace the text of tem c withthe following sentence coating tower has to be cleaned and treated every month following the code of practice

[answers to midterm cpc 2013 pdf pdf snapshot segmetrics](#) - May 17 2023

web answers to midterm cpc 2013 pdf pdf snapshot segmetrics io created date 8 31 2023 1 46 30 pm

answers to midterm cpc 2013 liululu - May 05 2022

web answers to midterm cpc 2013 a list of every word of the year selection released by dictionary com dictionary com s first

word of the year was chosen in 2010 kilauea mount etna mount yasur mount nyiragongo and nyamuragira piton de la fournaise erta ale informationweek com news analysis commentary and research for business technology

[2013 midterm cpc aapc - Oct 22 2023](#)

web 2013 midterm cpc answers rationales 1 many coding professionals go on to find work as a accountant b consultant c medical assistants d financial planning ans b rationale the coding profession has evolved significantly over the past several decades into a career path with unlimited possibilities

[aapc 2013 cpc midterm answer key online kptm edu my - Oct 10 2022](#)

web nov 13 2023 title aapc 2013 cpc midterm answer key author online kptm edu my 2023 11 13 13 28 47 subject aapc 2013 cpc midterm answer key keywords aapc 2013 cpc midterm answer key

[aapc 2013 cpc midterm answer key pdf db udrive - Mar 15 2023](#)

web aapc 2013 cpc midterm answer key 3 3 a 2013 midterm cpc aapc pdf book manual free download2013 step medical coding workbook answer key 2013 step medical coding workbook answer key just about everything that you just find or searching includes 2013 step medical coding workbook answer key 139 download s aapc

2013 midterm cpc aapc 2013 midterm cpc aapc pdf - Jul 19 2023

web 1 2013 midterm cpc answers rationales 1 many coding professionals go on to find work as a accountant c medical assistants b consultant d financial planning ans b rationale the coding profession has evolved significantly over the past several decades into a career path with unlimited possibilities

[answers to midterm cpc 2013 test2 rmets org - Aug 08 2022](#)

web answers to midterm cpc 2013 may 4th 2018 search the world s information including webpages images videos and more google has many special features to help you find exactly what you re looking for mowerpartszone com progreen plus may 6th 2018 progreen plus just announced the season opening of their retail store at 7128 oak ridge

aapc 2013 cpc midterm answer key full pdf renewalcc - Apr 16 2023

web cpc aapc midterm answer delapac com 2013 midterm cpc aapc 2013 midterm cpc answers app wordtail com aapc 2013 cpc midterm answer key thepopculturecompany aapc 2013 cpc midterm answer aapc integumentary answers voucherslug co aapc 2013 midterm and answer repo koditips com aapc 2013 cpc

answers to midterm cpc 2013 ftp vape mexico com - Apr 04 2022

web answers to midterm cpc 2013 3 3 i want our midterm message to be about house backs commission on jan 6 riot over gop objectionsgarcetti 50 has served as l a s mayor since 2013 and previously served as president

[answers to midterm cpc 2013 pdf 2023 status restek wwu - Dec 12 2022](#)

web answers to midterm cpc 2013 pdf introduction answers to midterm cpc 2013 pdf 2023 student success in college george

d kuh 2011 01 07 student success in college describes policies programs and practices that a diverse set of institutions have used to enhance student achievement

aapc 2013 midterm answers - Sep 09 2022

web ajanta interpretation dieter schlingloff 2013 cpc practice exam 2013 gunnar bengtsson 2013 09 29 150 question cpc practice exam created to mirror the actual aapc cpc exam this cpc aapc 2013 midterm answers 2 downloaded from cie advances asme org on 2020 10 08 by guest pediatric cardiology provides exhaustive

answer 2013 cpc aapc orientation sutd edu - Feb 14 2023

web pdf ebook 2013 final exam cpc aapc answers drink savanna de 2013 midterm cpc aapc final exam 2013 answers aapc cpc bing blog with pdf links answer 2013 cpc aapc gtclan de

2013 midterm cpc answers a brittfest org - Mar 03 2022

web 2013 midterm cpc answers 2 downloaded from a brittfest org on 2019 01 20 by guest perspectives of quality in de these cases present good practices in qa for de e learning analyse challenges in assuring the quality of de products and services offer possible solutions to meet those challenges

aapc2013cpcmidtermanswerkey book pivotid uvu - Jan 13 2023

web reflecting the expert insight of leading coding educator carol j buck this complete exam review guides you step by step through all of the content covered on the cpc r exam including anatomy and terminology for each organ system reimbursement concepts an overview of cpt icd 9 cm and hcpcs coding and more

2013 midterm cpc aapc - Jun 18 2023

web 2013 midterm cpc 1 many coding professionals go on to find work as a accountant b consultant c medical assistants d financial planning 2 a medical record contains information on all but what areas a observations b medical or surgical interventions c treatment outcomes d financial records 3

adpt com - Sep 21 2023

web adpt com

moranthermodynamicssteamtables - Jan 06 2023

web steam tables jan 04 2023 steam tables thermodynamic properties of water including vapor liquid and solid phases english units by joseph h keenan m i t frederick g keyes m i t philip g hill queen s

steam tables process overview steam tables process - Sep 02 2022

web steam tables process overview fundamentals of engineering thermodynamics 8 th edition by moran shapiro boettner and bailey 2014

properties of water and steam thermodynamic properties of ordinary - Oct 03 2022

web about these tables while preparing these tables the following modifications were made the nomenclature is different and so is the tabular format density ρ is not tabulated only specific volume v is tabulated values of thermal internal energy u h pv are computed and tabulated please note the tabulation is restricted to 1000

thermodynamic property tables illinois institute of technology - Nov 04 2022

web tables e g if you have pressure and temperature for steam you can find it s specific volume enthalpy internal energy and entropy there are separate property tables for saturated mixtures subcooled liquids superheated vapors and ideal gases thermodynamic property tables can be found in the back of your textbook or

[moran thermodynamics steam tables orientation sutd edu sg](#) - Feb 24 2022

web odesie by tech steam tables thermodynamics boilersinfo steam tables thermodynamics questions and answers steam tables steam tables specific properties of water and steam thermodynamics heat steam fundamentals of engineering thermodynamics 8e moran pdf thermodynamics steam table

steam tables - Sep 14 2023

web feb 2 2011 share article view in a z index number of views 1664296 the following tables of the properties of steam are taken directly from chapter 5 5 3 of the heat exchanger design handbook 1986 by c f beaton the tables in this section are reprinted with permission from nbs nrc steam tables

moran thermodynamics steam tables cyberlab sutd edu sg - Aug 13 2023

web the tables are founded on experimental measurements 1 of the specific heat of water and the mechanical equivalent 2 of the specific heat of steam by the author s continuous electric method 3 of the adiabatic index with a compensated platinum thermometer 4 of the joule thomson cooling effect with a differential throttling calorimeter

moran s principles of engineering thermodynamics perlego - Jun 30 2022

web yes you can access moran s principles of engineering thermodynamics by michael j moran howard n shapiro daisie d boettner margaret b bailey in pdf and or epub format as well as other popular books in naturwissenschaften thermodynamik we have over one million books available in our catalogue for you to explore

steam tables cheat sheet steam tables process overview - Aug 01 2022

web steam tables process overview fundamentals of engineering thermodynamics th edition moran shapiro boettner and bailey 2014 given properties test to

[moran thermodynamics steam tables pdf](#) - Feb 07 2023

web advanced concepts steam tables apr 09 2023 international steam tables sep 02 2022 this book contains steam tables for practical industrial use calculated by using the international standard iapws if97 for the thermodynamic properties of water and steam and the iapws industrial standards for transport and other properties

steam tables michigan technological university - Jul 12 2023

web steam tables from m d koretsky engineering and chemical thermodynamics john wiley sons 2004 saturated steam temperature table saturated steam pressure table b 03tbl superheated steam b 04 cont5 tbl

moran thermodynamics pdf intellectual works media - Apr 28 2022

web to accompany fundamentals of engineering thermodynamics fourth edition michael j moran the ohio state university howard n shapiro iowa state university of science and technology to order books or for customer service call 1 800 call wiley 225 5945

tablas si moran shapiro fundamentals of engineering thermodynamics - Apr 09 2023

web currently supercritical fluids scfs are used in various industries worldwide the largest application of scfs is the use of supercritical water scw at supercritical pressure scp coal fired power plants using scp rankine steam cycle allows to reach gross thermal efficiencies of a plant up to 55

college of engineering purdue university - Mar 08 2023

web this pdf file contains the thermodynamic property tables for various substances such as water air refrigerants and fuels based on the 9th edition of cengel and boles thermodynamics textbook it is a useful reference for students and engineers who need to look up the values of enthalpy entropy specific volume and other properties at different

index to tables in si units basket.edu.tr - Oct 15 2023

web table a 15 properties of superheated ammonia vapor 914 table a 16 properties of saturated propane liquid vapor temperature table 918 table a 17 properties of saturated propane liquid vapor pressure table 919 table a 18 properties of superheated propane vapor 920 table a 19 properties of selected solids and liquids c

moran 2e steam table process overview mcgraw hill education - Jun 11 2023

web look up p in table 7 a if t t sat compressed liquid b if t t sat two phase liquid vapor mixture c if t t sat superheated vapor d if t t c superheated vapor d table 7 or table 7 y x ru v approximate as saturated liquid k zlwk tq e t and p are not independent need another property c d table 7 1 p 2 t look up t in table

thermodynamics tables moran shapiro studocu - Dec 05 2022

web oct 19 2019 thermodynamics tables moran shapiro useful tables in si units for thermodynamics mechanical engineering university basket Ünersitesi course p g hill and j g moore steam tables wiley new york 1969 o h o h 0 28 1 34 121 2415 121 2432 2554 0 8 0

moranthermodynamicssteamtables wikimid2 aapg - Mar 28 2022

web thermodynamics moran s principles of engineering thermodynamics steam tables the mechatronics handbook 2 volume set mechatronic systems sensors and actuators thermodynamics fundamentals of engineering thermodynamics problem set

supplement alternative energy sources fundamentals of engineering

thermodynamics tables and charts college of engineering - May 10 2023

web table a 1 molar mass gas constant and critical point properties table a 2 ideal gas specific heats of various common gases table a 3 properties of common liquids solids and foods steam h 2o 0 4615 1 8723 1 4108 1 327 note the unit kj kg k is [steam tables calculator](#) - May 30 2022

web gas tables 1 thermodynamic properties main 2 thermodynamic properties other registration required 3 transport properties registration required required for exergy calculation calculate online thermodynamic and transport properties of water and steam based on industrial iapws if97 or scientific iapws 95 formulation

nonno gidio e la sana alimentazione i libri scuola del fumetto - Jan 06 2023

web nonno gidio e la sana alimentazione i libri scuola del fumetto bono fabio siccardi marzia amazon es libros

nonno gidio e la sana alimentazione pdf mail lafamigliawv - Aug 01 2022

web nonno gidio e la sana alimentazione 3 3 could be their legacy told over five days in the span of three years the fascinating story of the brontë sisters literary pioneer careers unfolds to show what it was like to be an ambitious woman in the 1800s and how similar it looks to the struggles women still face today

nonno gidio e la sana alimentazione amoa arthouse - Jul 12 2023

web 2 nonno gidio e la sana alimentazione 2021 08 08 la contessa di calle 100 lucrezia tears of salt reveals the human side of suffering through the life of one man adele annesi washington independent review of books situated [che cosa possiamo imparare dalla dieta dei nostri nonni](#) - Jun 30 2022

web mar 22 2021 9 strategie dei nostri nonni sul cibo vivere della terra conservare con la fermentazione utilizzare tutte le parti di un animale mangiare diversa carne non temere i grassi buoni mangiare ciò che è fresco e di stagione cucinare slow food non fare diete restrittive muoversi perché seguire questi consigli dunque prevenzione di malattie

nonno gidio e la sana alimentazione vps huratips - Aug 13 2023

web la contessa di calle tears of salt a doctor s story nonno gidio e la sana alimentazione downloaded from vps huratips com by guest lee erick the pope s daughter penguin nata dieci anni fa sotto una cattiva stella le esigenze di un autrice umoristica l ormai iconica single fuori e zitella

[nonno gidio e la sana alimentazione 2023 lp hotelparaiso com](#) - Feb 24 2022

web 4 nonno gidio e la sana alimentazione 2023 04 01 child with no papers who refuses to speak and gives every indication that he will bolt at the first opportunity three decades later chiara lives alone in rome a self contained self possessed woman working as a translator and to all appearances quite content with a life which revolves around

[nonno gidio e la sana alimentazione pdf web mei](#) - Nov 04 2022

web nonno gidio e la sana alimentazione 3 3 ways that dramaturgs work today it provides a thorough survey of three major areas of practice institutional dramaturgy production dramaturgy and dance dramaturgy with each illustrated through a range of case studies that illuminate methodology and which will assist practitioners in developing their own

nonno gidio e la sana alimentazione libreria universitaria - Dec 05 2022

web acquista nonno gidio e la sana alimentazione su libreria universitaria spedizione gratuita sopra i 25 euro su libreria universitaria

nonno gidio e la sana alimentazione imaginesbook it - Oct 03 2022

web 089 254218 3459391845 lun ven 9 00 13 20 16 30 20 15

download solutions nonno gidio e la sana alimentazione - May 30 2022

web nonno gidio e la sana alimentazione but stop up in harmful downloads rather than enjoying a fine book once a mug of coffee in the afternoon on the other hand they juggled next some harmful virus inside their computer nonno gidio e

nonno gidio e la sana alimentazione by fabio bono marzia - Apr 28 2022

web scarica e leggi il libro di nonno gidio e la sana alimentazione in formato pdf epub mobi bambini e alimentazione libri may 22nd 2020 la storia del cibo l'alimentazione nel corso dei secoli dalla preistoria al futuro di francesco orsenigo e f mariani gioca e impara l'alimentazione autori vari nonno gidio e la sana alimentazione di fabio

nonno gidio e la sana alimentazione libraccio it - Feb 07 2023

web nonno gidio e la sana alimentazione è un libro scritto da fabio bono marzia siccardi pubblicato da i libri scuola del fumetto nella collana i libri scuola del fumetto libraccio it

nonno gidio e la sana alimentazione 9788878550841 libreria - Apr 09 2023

web nonno gidio e la sana alimentazione è un libro di bono fabio e siccardi marzia pubblicato da i libri scuola del fumetto nella collana i libri scuola del fumetto isbn 9788878550841

nonno gidio e la sana alimentazione fabio bono lafeltrinelli - Sep 14 2023

web nonno gidio e la sana alimentazione è un libro di fabio bono marzia siccardi pubblicato da i libri scuola del fumetto nella collana i libri scuola del fumetto acquista su lafeltrinelli a 8 55

nonno gidio e la sana alimentazione cartonato 1 marzo 2008 - May 10 2023

web nonno gidio e la sana alimentazione bono fabio siccardi marzia amazon it libri

nonno gidio e la sana alimentazione anobii com - Jun 11 2023

web scopri la trama e le recensioni presenti su anobii di nonno gidio e la sana alimentazione di fabio bono marzia siccardi pubblicato da i libri scuola del fumetto in formato cartonato per bambini

nonno gidio e la sana alimentazione pdf - Mar 28 2022

web 2 nonno gidio e la sana alimentazione 2022 07 06 nonno gidio e la sana alimentazione downloaded from controlplane themintgaming com by guest conor graham the scroll of seduction ali ribelli edizioni laudato si is pope francis second encyclical which focuses on the theme of the environment in fact the holy father in his

download solutions nonno gidio e la sana alimentazione - Sep 02 2022

web nonno gidio e la sana alimentazione inter american yearbook on human rights anuario interamericano de derechos humanos volume 19 2003 jan 09 2020 inter american yearbook on human rights anuario interamericano de derechos humanos volume 23 2007 jan 01 2022 this yearbook aims to contribute to a greater

nonno gidio e la sana alimentazione fabio bono libreria ibs - Oct 15 2023

web nonno gidio e la sana alimentazione è un libro di fabio bono marzia siccardi pubblicato da i libri scuola del fumetto nella collana i libri scuola del fumetto acquista su ibs a 9 00

download solutions nonno gidio e la sana alimentazione - Mar 08 2023

web alimentazione sana a scuola e in famiglia jul 20 2023 la corretta alimentazione riveste un ruolo fondamentale nel determinare la riduzione dell'incidenza e della mortalità legate alle malattie del benessere diabete obesità malattie cardiovascolari il piano sanitario nazionale 1998 2000 pone come obiettivo di salute la promozione di