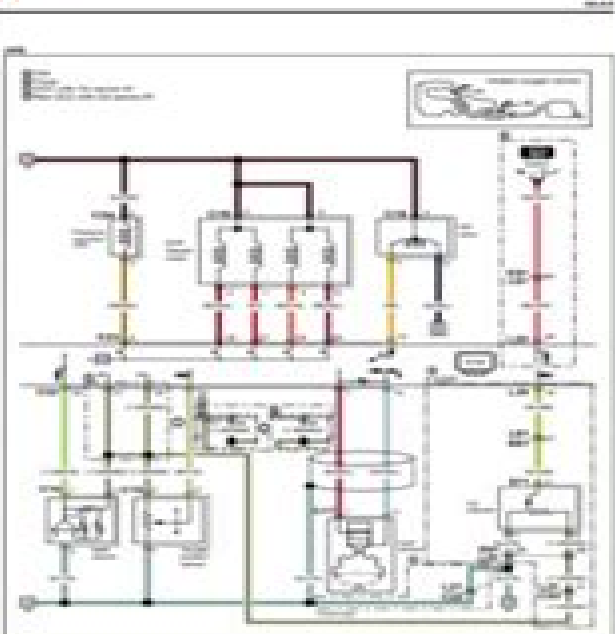
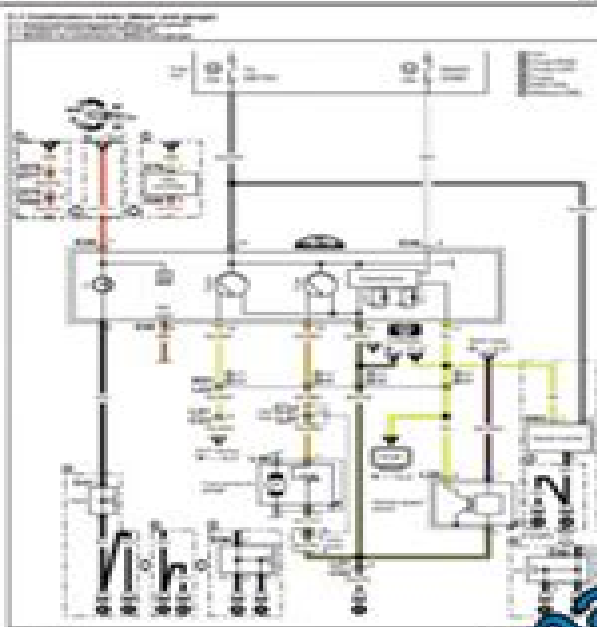
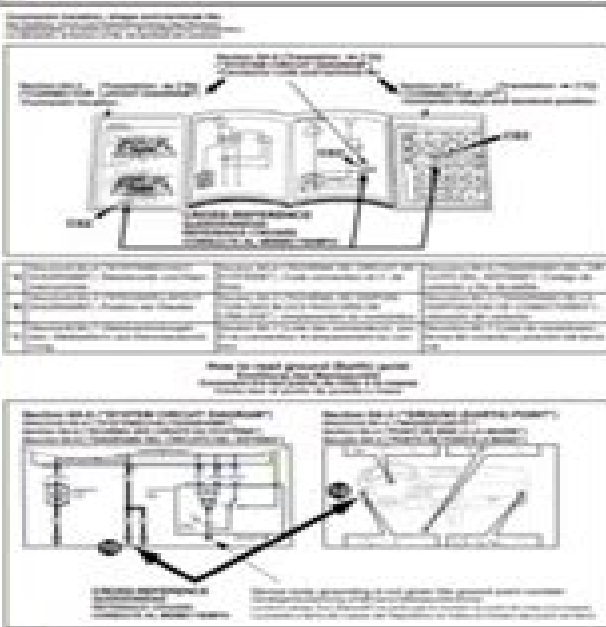


Suzuki Carry 1999-2013 Workshop Repair Service Manual

Multi language: English, German



www.downloadworkshopmanuals.com

Suzuki Every Repaire Service Manual

Bob Henderson, John Harold Haynes



Suzuki Every Repaire Service Manual:

Suzuki Every Van Electrical Service Manual Db52v Da52v James Danko,2017-04-11 SUZUKI EVERY VAN Electrical Service Manual for 4WD DB52V 2WD DA52V Series Vans Complete English Factory Electrical Service Manual Covers the entire vehicle including EFI Turbocharged Engines Chassis lighting and all other individual components This complete manual also covers Air conditioning electrical power steering ABS and AIRBAG systems Easy to follow diagrams includes all individual circuits with easy to follow diagrams Whether you are a Pro or Home Mechanic this easy to follow manual is a must for troubleshooting electrical problems **Small Engines Service Manual** Intertec Publishing Corporation,1985-10

Chilton's Import Auto Service Manual ,2000 Contains general information for technicians on the specifications MIL resetting and DTC retrieval accessory drive belts timing belts brakes oxygen sensors electric cooling fans and heater cores of twenty one types of import cars *Clymer Snowmobile Service Manual 11th Edition* Penton Staff,1991-06-01 With the help of the Clymer Snowmobile Service Manual 11th Edition in your toolbox you will be able to maintain service and repair your snowmobile to extend its life for years to come Clymer manuals are very well known for their thorough and comprehensive nature This manual is loaded with step by step procedures along with detailed photography exploded views charts and diagrams to enhance the steps associated with a service or repair task This Clymer manual is organized by subsystem with procedures grouped together for specific topics such as front suspension brake system engine and transmission It includes color wiring diagrams The language used in this Clymer repair manual is targeted toward the novice mechanic but is also very valuable for the experienced mechanic The service manual by Clymer is an authoritative piece of DIY literature and should provide you the confidence you need to get the job done and save money too **Federal Register** ,1993-06-08

WALNECK'S CLASSIC CYCLE TRADER, OCTOBER 2005 Causey Enterprises, LLC, [AdrenalineMoto | Street Motorcycle PU Catalog 2014](#) Parts-Unlimited Motorcycle Parts & Gear,LeMans Corporation - All Rights Reserved,2014-01-01 AdrenalineMoto is an authorized dealer of Parts Unlimited and claims no ownership or rights to this catalog The Parts Unlimited 2014 Street catalog is more than just a book It is designed to help you and your customers get the most out of your passion for powersports It showcases the new exciting in demand products as well as highlighting trusted favorites The well organized catalog sections make it easy to find the items you want And every part is supported with the latest fitment information and technical updates available Looking for tires See the Drag Specialties Parts Unlimited Tire catalog It has tires tire accessories and tire wheel service tools from all the top brands And for riding gear or casual wear see the Drag Specialties Parts Unlimited Helmet Apparel catalog Combine all three catalogs for the most complete powersports resource of 2014 **Popular Mechanics** ,1989-10 Popular Mechanics inspires instructs and influences readers to help them master the modern world Whether it s practical DIY home improvement tips gadgets and digital technology information on the newest cars or the latest breakthroughs in science PM is the ultimate guide to our high tech lifestyle **Road and Track**

,1990 Car and Driver ,1973 **Suzuki Samurai/Sidekick & Geo Tracker Automotive Repair Manual** Bob Henderson, John Harold Haynes, 1995 Haynes disassembles every subject vehicle and documents every step with through instructions and clear photos Haynes repair manuals are used by the pros but written for the do it yourselfer **Ward's Automobile Topics** ,1969 Cycle World ,1994 **The Publishers Weekly** ,1972 *American Motorcyclist* ,1964-06 American Motorcyclist magazine the official journal of the American Motorcyclist Association tells the stories of the people who make motorcycling the sport that it is It s available monthly to AMA members Become a part of the largest most diverse and most enthusiastic group of riders in the country by visiting our website or calling 800 AMA JOIN **Floyd Clymer's Auto Topics** ,1968 **Forthcoming Books** Rose Arny, 2002-02 WALNECK'S CLASSIC CYCLE TRADER, JULY 2000 Causey Enterprises, LLC, **Subject Guide to Books in Print** ,2001 **Road & Track** ,1984-02

Uncover the mysteries within Explore with is enigmatic creation, **Suzuki Every Repaire Service Manual** . This downloadable ebook, shrouded in suspense, is available in a PDF format (*). Dive into a world of uncertainty and anticipation. Download now to unravel the secrets hidden within the pages.

https://new.webyeshiva.org/About/virtual-library/index.jsp/Journey_Around_Washington_Dc.pdf

Table of Contents Suzuki Every Repaire Service Manual

1. Understanding the eBook Suzuki Every Repaire Service Manual
 - The Rise of Digital Reading Suzuki Every Repaire Service Manual
 - Advantages of eBooks Over Traditional Books
2. Identifying Suzuki Every Repaire Service Manual
 - Exploring Different Genres
 - Considering Fiction vs. Non-Fiction
 - Determining Your Reading Goals
3. Choosing the Right eBook Platform
 - Popular eBook Platforms
 - Features to Look for in an Suzuki Every Repaire Service Manual
 - User-Friendly Interface
4. Exploring eBook Recommendations from Suzuki Every Repaire Service Manual
 - Personalized Recommendations
 - Suzuki Every Repaire Service Manual User Reviews and Ratings
 - Suzuki Every Repaire Service Manual and Bestseller Lists
5. Accessing Suzuki Every Repaire Service Manual Free and Paid eBooks
 - Suzuki Every Repaire Service Manual Public Domain eBooks
 - Suzuki Every Repaire Service Manual eBook Subscription Services
 - Suzuki Every Repaire Service Manual Budget-Friendly Options
6. Navigating Suzuki Every Repaire Service Manual eBook Formats

- ePub, PDF, MOBI, and More
 - Suzuki Every Repaire Service Manual Compatibility with Devices
 - Suzuki Every Repaire Service Manual Enhanced eBook Features
7. Enhancing Your Reading Experience
 - Adjustable Fonts and Text Sizes of Suzuki Every Repaire Service Manual
 - Highlighting and Note-Taking Suzuki Every Repaire Service Manual
 - Interactive Elements Suzuki Every Repaire Service Manual
 8. Staying Engaged with Suzuki Every Repaire Service Manual
 - Joining Online Reading Communities
 - Participating in Virtual Book Clubs
 - Following Authors and Publishers Suzuki Every Repaire Service Manual
 9. Balancing eBooks and Physical Books Suzuki Every Repaire Service Manual
 - Benefits of a Digital Library
 - Creating a Diverse Reading Collection Suzuki Every Repaire Service Manual
 10. Overcoming Reading Challenges
 - Dealing with Digital Eye Strain
 - Minimizing Distractions
 - Managing Screen Time
 11. Cultivating a Reading Routine Suzuki Every Repaire Service Manual
 - Setting Reading Goals Suzuki Every Repaire Service Manual
 - Carving Out Dedicated Reading Time
 12. Sourcing Reliable Information of Suzuki Every Repaire Service Manual
 - Fact-Checking eBook Content of Suzuki Every Repaire Service Manual
 - Distinguishing Credible Sources
 13. Promoting Lifelong Learning
 - Utilizing eBooks for Skill Development
 - Exploring Educational eBooks
 14. Embracing eBook Trends
 - Integration of Multimedia Elements
 - Interactive and Gamified eBooks

Suzuki Every Repaire Service Manual Introduction

Suzuki Every Repaire Service Manual Offers over 60,000 free eBooks, including many classics that are in the public domain. Open Library: Provides access to over 1 million free eBooks, including classic literature and contemporary works. Suzuki Every Repaire Service Manual Offers a vast collection of books, some of which are available for free as PDF downloads, particularly older books in the public domain. Suzuki Every Repaire Service Manual : This website hosts a vast collection of scientific articles, books, and textbooks. While it operates in a legal gray area due to copyright issues, its a popular resource for finding various publications. Internet Archive for Suzuki Every Repaire Service Manual : Has an extensive collection of digital content, including books, articles, videos, and more. It has a massive library of free downloadable books. Free-eBooks Suzuki Every Repaire Service Manual Offers a diverse range of free eBooks across various genres. Suzuki Every Repaire Service Manual Focuses mainly on educational books, textbooks, and business books. It offers free PDF downloads for educational purposes. Suzuki Every Repaire Service Manual Provides a large selection of free eBooks in different genres, which are available for download in various formats, including PDF. Finding specific Suzuki Every Repaire Service Manual, especially related to Suzuki Every Repaire Service Manual, might be challenging as theyre often artistic creations rather than practical blueprints. However, you can explore the following steps to search for or create your own Online Searches: Look for websites, forums, or blogs dedicated to Suzuki Every Repaire Service Manual, Sometimes enthusiasts share their designs or concepts in PDF format. Books and Magazines Some Suzuki Every Repaire Service Manual books or magazines might include. Look for these in online stores or libraries. Remember that while Suzuki Every Repaire Service Manual, sharing copyrighted material without permission is not legal. Always ensure youre either creating your own or obtaining them from legitimate sources that allow sharing and downloading. Library Check if your local library offers eBook lending services. Many libraries have digital catalogs where you can borrow Suzuki Every Repaire Service Manual eBooks for free, including popular titles. Online Retailers: Websites like Amazon, Google Books, or Apple Books often sell eBooks. Sometimes, authors or publishers offer promotions or free periods for certain books. Authors Website Occasionally, authors provide excerpts or short stories for free on their websites. While this might not be the Suzuki Every Repaire Service Manual full book , it can give you a taste of the authors writing style. Subscription Services Platforms like Kindle Unlimited or Scribd offer subscription-based access to a wide range of Suzuki Every Repaire Service Manual eBooks, including some popular titles.

FAQs About Suzuki Every Repaire Service Manual Books

How do I know which eBook platform is the best for me? Finding the best eBook platform depends on your reading preferences and device compatibility. Research different platforms, read user reviews, and explore their features before

making a choice. Are free eBooks of good quality? Yes, many reputable platforms offer high-quality free eBooks, including classics and public domain works. However, make sure to verify the source to ensure the eBook credibility. Can I read eBooks without an eReader? Absolutely! Most eBook platforms offer web-based readers or mobile apps that allow you to read eBooks on your computer, tablet, or smartphone. How do I avoid digital eye strain while reading eBooks? To prevent digital eye strain, take regular breaks, adjust the font size and background color, and ensure proper lighting while reading eBooks. What the advantage of interactive eBooks? Interactive eBooks incorporate multimedia elements, quizzes, and activities, enhancing the reader engagement and providing a more immersive learning experience. Suzuki Every Repaire Service Manual is one of the best book in our library for free trial. We provide copy of Suzuki Every Repaire Service Manual in digital format, so the resources that you find are reliable. There are also many Ebooks of related with Suzuki Every Repaire Service Manual. Where to download Suzuki Every Repaire Service Manual online for free? Are you looking for Suzuki Every Repaire Service Manual PDF? This is definitely going to save you time and cash in something you should think about.

Find Suzuki Every Repaire Service Manual :

journey around washington dc

how to become a successful freelance writer

manual alfa beta

novel pillow talk

1997 subaru svx service repair manual 97

83 gl1100 service manual

network protection x26 automation guide

mini cooper service manual 2002 2003 2004 2005 2006 mini c

1997 suzuki bandit 1200s owners manual

wiring fog light wrangler 91

box cake cookie recipe

trane yhc092e4rla09a0c10002b000 wiring manual

link belt rtc8030 specifications and capacities 114391

2006 porsche carrera owners manual

section 3 1 solids liquids and gases questions

Suzuki Every Repaire Service Manual :

The American Way of Poverty - Books Sasha Abramsky brings the effects of economic inequality out of the shadows and, ultimately, suggests ways for moving toward a fairer and more equitable social ... The American Way of Poverty: How the Other Half Still Lives It is made up of both the long-term chronically poor and new working poor—the tens of millions of victims of a broken economy and an ever more dysfunctional ... The American Way of Poverty: How the Other Half Still Lives It is made up of both the long-term chronically poor and new working poor—the tens of millions of victims of a broken economy and an ever more dysfunctional ... The American Way of Poverty The American Way of Poverty: How the Other Half Still Lives shines a light on this travesty. Sasha Abramsky brings the effects of economic inequality out of the ... A Discussion of Sasha Abramsky's 'The American Way ... In his new book, The American Way of Poverty: How the Other Half Still Lives, Sasha Abramsky brings the effects of economic inequality out of the shadows and, ... The American Way of Poverty by Sasha Abramsky Exploring everything from housing policy to wage protections and affordable higher education, Abramsky lays out a panoramic blueprint for a reinvigorated ... Sasha Abramsky's 'American Way of Poverty' Sep 20, 2013 — Virtually everything worthwhile written about American poverty is essentially about moral failure. It is the failure of the society ... The American Way of Poverty: How the Other Half Still Lives It is made up of both the long-term chronically poor and new working poor -- the tens of millions of victims of a broken economy and an ever more dysfunctional ... Table of Contents: The American way of poverty - Falvey Library The American way of poverty : how the other half still lives / ... "Fifty years after Michael Harrington published his groundbreaking book The Other America, in ... The American Way of Poverty: How the Other Half Still ... Aug 26, 2014 — The American Way of Poverty: How the Other Half Still Lives (Paperback). By Sasha Abramsky. \$17.99. Ships to Our Store in 1-5 Days. Add to Wish ... Test bank - medical surgical nursing 10th edition ... Med surg test bank - helps with understanding questions and very similar to NCLEX style medical surgical nursing 10th edition ignatavicius workman test bank. NSG420 - Test-bank-medical-surgical-nursing-10th-edition ... Medical Surgical Nursing 10th Edition Ignatavicius Workman Test Bank Chapter 01: Overview of Professional Nursing Concepts for Medical-Surgical Nursing ... Stuvia 1355792 test bank medical surgical nursing 9th ... nursing exam questions and answers best exam graded A+ latest update 2022 test bank medical surgical nursing 9th edition ignatavicius workman written. Medical-Surgical Nursing 10th Edition Ignatavicius TEST ... Medical-Surgical Nursing 10th Edition Ignatavicius TEST BANK. \$100.00 \$50.00. Test ... questions in your quizzes and exams when you follow our official test banks ... TEST BANK FOR MEDICAL-SURGICAL NURSING 10TH ... Jan 18, 2022 — MULTIPLE CHOICE 1. A new nurse is working with a preceptor on a medical-surgical unit. The preceptor advises the new nurse that which is the ... Medical Surgical Nursing 10th Edition Ignatavicius ... TEST BANKS are exactly what you need in the classroom when you are short on time and you need to quickly study the material. It's also ideal for improving ... Medical Surgical Nursing 10th Edition Ignatavicius ... View Medical Surgical Nursing 10th

Edition Ignatavicius Workman Test Bank.pdf from NURSING 138 at Nursing Assisstant Training Institute. Medical Surgical ... med-surg chapter 31 test bank, Iggy Chapter 45, 40 ... The spouse questions the use of the drug, saying the client does not have a seizure disorder. What response by the nurse is best? a. "Increased pressure ... Test bank medical surgical nursing 10th edition ... A nurse is caring for a postoperative client on the surgical unit. The client's blood pressure was 142/76 mm Hg 30 minutes ago, and now is 88/50 mm Hg. What ... Medical surgical nursing 10th edition ignatavicius Study ... This is a bank of tests (study questions) to help you prepare for the tests. To clarify, this is a test bank, not a textbook. You have immediate access to ... Foundation Of Algorithms Fourth Edition Exercise Solutions ... Foundation Of Algorithms Fourth Edition Exercise Solutions.pdf. View full document. Doc ... Foundations Of Algorithms 5th Edition Solution Manual.pdf. CS 214. 1. Introduction to Algorithms, Fourth Edition — solutions ... The goal of this project is to provide solutions to all exercises and problems from Introduction to Algorithms, Fourth Edition by Thomas H. Cormen, Charles E. Selected Solutions Introduction to Algorithms Mar 14, 2022 — This document contains selected solutions to exercises and problems in Introduction to Algorithms, Fourth Edition, by Thomas H. Cormen, ... Foundations of Algorithms This fifth edition of Foundations of Algorithms retains the features that made the previous editions successful. ... solution to the problem instance in which n. CLRS Solutions Welcome to my page of solutions to "Introduction to Algorithms" by Cormen, Leiserson, Rivest, and Stein. ... pdf with all the solutions. Chapter 1 · Chapter 2 ... Foundations Of Algorithms Solution Manual Get instant access to our step-by-step Foundations Of Algorithms solutions manual. Our solution manuals are written by Chegg experts so you can be assured ... Introduction to Algorithms - Solutions and Instructor's Manual by TH Cormen · Cited by 2 — This document is an instructor's manual to accompany Introduction to Algorithms,. Second Edition, by Thomas H. Cormen, Charles E. Leiserson, Ronald L. Rivest ... Instructor's Manual Introduction to Algorithms by TH Cormen · Cited by 2 — This document is an instructor's manual to accompany Introduction to Algorithms,. Third Edition, by Thomas H. Cormen, Charles E. Leiserson, Ronald L. Rivest ... mmsaffari/Foundations-of-Algorithms May 10, 2020 — Solutions to a selection of exercises from "Foundations of Algorithms" book by Richard Neapolitan and Kumars Naimipour - GitHub ... Richard Neapolitan Solutions Foundations Of Algorithms 4th Edition ... Solutions Manual · Study 101 · Textbook Rental · Used Textbooks · Digital Access ...