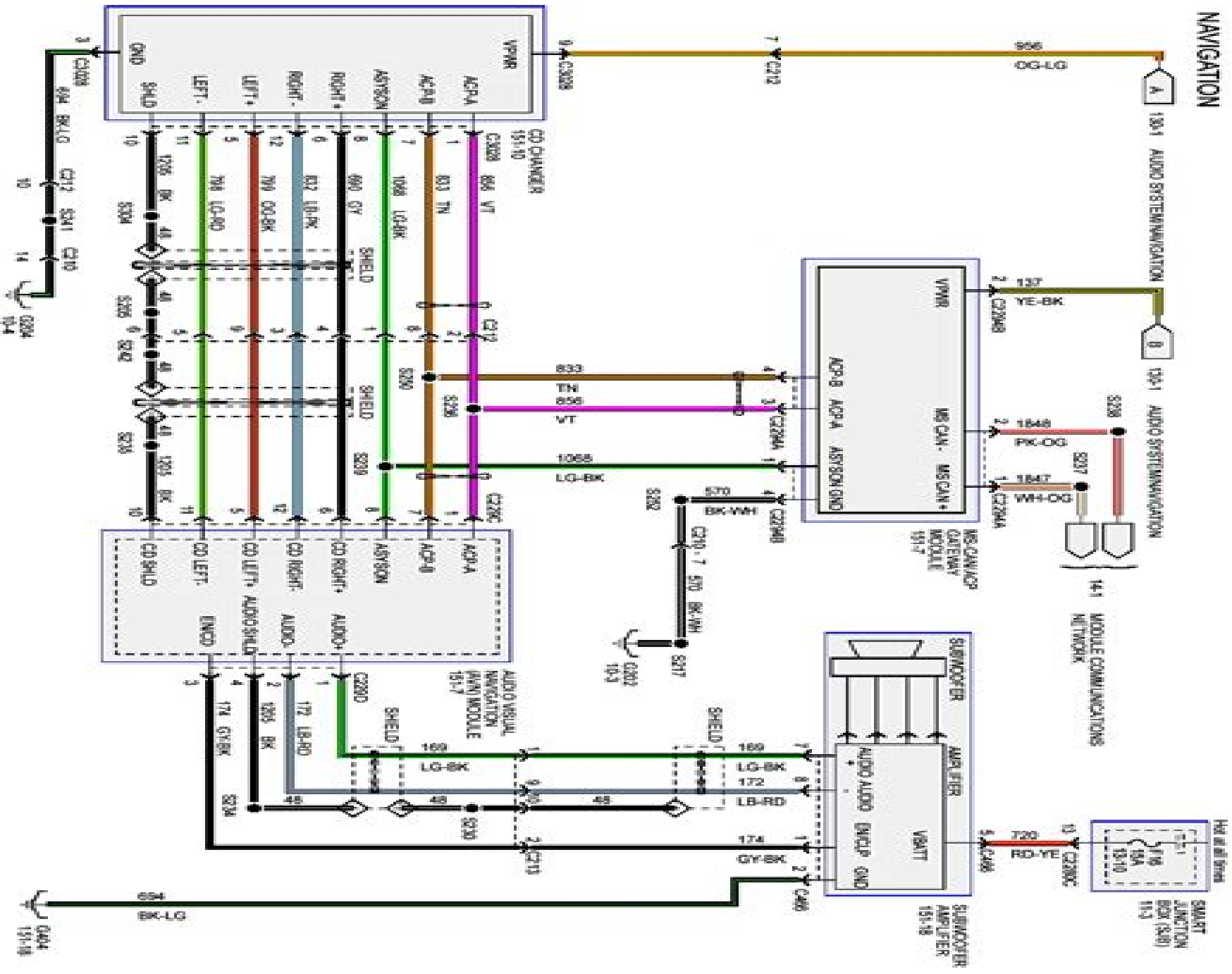


NAVIGATION



2007 Chevrolet Impala Power Window Wiring Diagram

SJ Ball



2007 Chevrolet Impala Power Window Wiring Diagram:

Immerse yourself in the artistry of words with is expressive creation, **2007 Chevrolet Impala Power Window Wiring Diagram** . This ebook, presented in a PDF format (PDF Size: *), is a masterpiece that goes beyond conventional storytelling. Indulge your senses in prose, poetry, and knowledge. Download now to let the beauty of literature and artistry envelop your mind in a unique and expressive way.

https://new.webyeshiva.org/About/detail/Documents/bambinelli_sunday_a_christmas_blessing.pdf

Table of Contents 2007 Chevrolet Impala Power Window Wiring Diagram

1. Understanding the eBook 2007 Chevrolet Impala Power Window Wiring Diagram
 - The Rise of Digital Reading 2007 Chevrolet Impala Power Window Wiring Diagram
 - Advantages of eBooks Over Traditional Books
2. Identifying 2007 Chevrolet Impala Power Window Wiring Diagram
 - Exploring Different Genres
 - Considering Fiction vs. Non-Fiction
 - Determining Your Reading Goals
3. Choosing the Right eBook Platform
 - Popular eBook Platforms
 - Features to Look for in an 2007 Chevrolet Impala Power Window Wiring Diagram
 - User-Friendly Interface
4. Exploring eBook Recommendations from 2007 Chevrolet Impala Power Window Wiring Diagram
 - Personalized Recommendations
 - 2007 Chevrolet Impala Power Window Wiring Diagram User Reviews and Ratings
 - 2007 Chevrolet Impala Power Window Wiring Diagram and Bestseller Lists
5. Accessing 2007 Chevrolet Impala Power Window Wiring Diagram Free and Paid eBooks
 - 2007 Chevrolet Impala Power Window Wiring Diagram Public Domain eBooks
 - 2007 Chevrolet Impala Power Window Wiring Diagram eBook Subscription Services
 - 2007 Chevrolet Impala Power Window Wiring Diagram Budget-Friendly Options

6. Navigating 2007 Chevrolet Impala Power Window Wiring Diagram eBook Formats
 - ePub, PDF, MOBI, and More
 - 2007 Chevrolet Impala Power Window Wiring Diagram Compatibility with Devices
 - 2007 Chevrolet Impala Power Window Wiring Diagram Enhanced eBook Features
7. Enhancing Your Reading Experience
 - Adjustable Fonts and Text Sizes of 2007 Chevrolet Impala Power Window Wiring Diagram
 - Highlighting and Note-Taking 2007 Chevrolet Impala Power Window Wiring Diagram
 - Interactive Elements 2007 Chevrolet Impala Power Window Wiring Diagram
8. Staying Engaged with 2007 Chevrolet Impala Power Window Wiring Diagram
 - Joining Online Reading Communities
 - Participating in Virtual Book Clubs
 - Following Authors and Publishers 2007 Chevrolet Impala Power Window Wiring Diagram
9. Balancing eBooks and Physical Books 2007 Chevrolet Impala Power Window Wiring Diagram
 - Benefits of a Digital Library
 - Creating a Diverse Reading Collection 2007 Chevrolet Impala Power Window Wiring Diagram
10. Overcoming Reading Challenges
 - Dealing with Digital Eye Strain
 - Minimizing Distractions
 - Managing Screen Time
11. Cultivating a Reading Routine 2007 Chevrolet Impala Power Window Wiring Diagram
 - Setting Reading Goals 2007 Chevrolet Impala Power Window Wiring Diagram
 - Carving Out Dedicated Reading Time
12. Sourcing Reliable Information of 2007 Chevrolet Impala Power Window Wiring Diagram
 - Fact-Checking eBook Content of 2007 Chevrolet Impala Power Window Wiring Diagram
 - Distinguishing Credible Sources
13. Promoting Lifelong Learning
 - Utilizing eBooks for Skill Development
 - Exploring Educational eBooks
14. Embracing eBook Trends
 - Integration of Multimedia Elements

- Interactive and Gamified eBooks

2007 Chevrolet Impala Power Window Wiring Diagram Introduction

In today's digital age, the availability of 2007 Chevrolet Impala Power Window Wiring Diagram books and manuals for download has revolutionized the way we access information. Gone are the days of physically flipping through pages and carrying heavy textbooks or manuals. With just a few clicks, we can now access a wealth of knowledge from the comfort of our own homes or on the go. This article will explore the advantages of 2007 Chevrolet Impala Power Window Wiring Diagram books and manuals for download, along with some popular platforms that offer these resources. One of the significant advantages of 2007 Chevrolet Impala Power Window Wiring Diagram books and manuals for download is the cost-saving aspect. Traditional books and manuals can be costly, especially if you need to purchase several of them for educational or professional purposes. By accessing 2007 Chevrolet Impala Power Window Wiring Diagram versions, you eliminate the need to spend money on physical copies. This not only saves you money but also reduces the environmental impact associated with book production and transportation. Furthermore, 2007 Chevrolet Impala Power Window Wiring Diagram books and manuals for download are incredibly convenient. With just a computer or smartphone and an internet connection, you can access a vast library of resources on any subject imaginable. Whether you're a student looking for textbooks, a professional seeking industry-specific manuals, or someone interested in self-improvement, these digital resources provide an efficient and accessible means of acquiring knowledge. Moreover, PDF books and manuals offer a range of benefits compared to other digital formats. PDF files are designed to retain their formatting regardless of the device used to open them. This ensures that the content appears exactly as intended by the author, with no loss of formatting or missing graphics. Additionally, PDF files can be easily annotated, bookmarked, and searched for specific terms, making them highly practical for studying or referencing. When it comes to accessing 2007 Chevrolet Impala Power Window Wiring Diagram books and manuals, several platforms offer an extensive collection of resources. One such platform is Project Gutenberg, a nonprofit organization that provides over 60,000 free eBooks. These books are primarily in the public domain, meaning they can be freely distributed and downloaded. Project Gutenberg offers a wide range of classic literature, making it an excellent resource for literature enthusiasts. Another popular platform for 2007 Chevrolet Impala Power Window Wiring Diagram books and manuals is Open Library. Open Library is an initiative of the Internet Archive, a non-profit organization dedicated to digitizing cultural artifacts and making them accessible to the public. Open Library hosts millions of books, including both public domain works and contemporary titles. It also allows users to borrow digital copies of certain books for a limited period, similar to a library lending system. Additionally, many universities and educational institutions have their own digital libraries that provide free access to PDF books and manuals. These libraries often offer academic texts, research papers, and

technical manuals, making them invaluable resources for students and researchers. Some notable examples include MIT OpenCourseWare, which offers free access to course materials from the Massachusetts Institute of Technology, and the Digital Public Library of America, which provides a vast collection of digitized books and historical documents. In conclusion, 2007 Chevrolet Impala Power Window Wiring Diagram books and manuals for download have transformed the way we access information. They provide a cost-effective and convenient means of acquiring knowledge, offering the ability to access a vast library of resources at our fingertips. With platforms like Project Gutenberg, Open Library, and various digital libraries offered by educational institutions, we have access to an ever-expanding collection of books and manuals. Whether for educational, professional, or personal purposes, these digital resources serve as valuable tools for continuous learning and self-improvement. So why not take advantage of the vast world of 2007 Chevrolet Impala Power Window Wiring Diagram books and manuals for download and embark on your journey of knowledge?

FAQs About 2007 Chevrolet Impala Power Window Wiring Diagram Books

What is a 2007 Chevrolet Impala Power Window Wiring Diagram PDF? A PDF (Portable Document Format) is a file format developed by Adobe that preserves the layout and formatting of a document, regardless of the software, hardware, or operating system used to view or print it. **How do I create a 2007 Chevrolet Impala Power Window Wiring Diagram PDF?** There are several ways to create a PDF: Use software like Adobe Acrobat, Microsoft Word, or Google Docs, which often have built-in PDF creation tools. Print to PDF: Many applications and operating systems have a "Print to PDF" option that allows you to save a document as a PDF file instead of printing it on paper. Online converters: There are various online tools that can convert different file types to PDF. **How do I edit a 2007 Chevrolet Impala Power Window Wiring Diagram PDF?** Editing a PDF can be done with software like Adobe Acrobat, which allows direct editing of text, images, and other elements within the PDF. Some free tools, like PDFescape or Smallpdf, also offer basic editing capabilities. **How do I convert a 2007 Chevrolet Impala Power Window Wiring Diagram PDF to another file format?** There are multiple ways to convert a PDF to another format: Use online converters like Smallpdf, Zamzar, or Adobe Acrobats export feature to convert PDFs to formats like Word, Excel, JPEG, etc. Software like Adobe Acrobat, Microsoft Word, or other PDF editors may have options to export or save PDFs in different formats. **How do I password-protect a 2007 Chevrolet Impala Power Window Wiring Diagram PDF?** Most PDF editing software allows you to add password protection. In Adobe Acrobat, for instance, you can go to "File" -> "Properties" -> "Security" to set a password to restrict access or editing capabilities. Are there any free alternatives to Adobe Acrobat for working with PDFs? Yes, there are many free alternatives for working with PDFs, such as: LibreOffice: Offers PDF editing features. PDFsam: Allows splitting, merging, and editing PDFs. Foxit Reader:

Provides basic PDF viewing and editing capabilities. How do I compress a PDF file? You can use online tools like Smallpdf, ILovePDF, or desktop software like Adobe Acrobat to compress PDF files without significant quality loss. Compression reduces the file size, making it easier to share and download. Can I fill out forms in a PDF file? Yes, most PDF viewers/editors like Adobe Acrobat, Preview (on Mac), or various online tools allow you to fill out forms in PDF files by selecting text fields and entering information. Are there any restrictions when working with PDFs? Some PDFs might have restrictions set by their creator, such as password protection, editing restrictions, or print restrictions. Breaking these restrictions might require specific software or tools, which may or may not be legal depending on the circumstances and local laws.

Find 2007 Chevrolet Impala Power Window Wiring Diagram :

[bambinelli sunday a christmas blessing](#)

banking and finance in islands and small states island studies

barbarians at the gate meaning

[baking journal scrapbook bakers](#)

bands songs and shamanistic rituals folk music in korean society

bang and olufsen phone manual

[bar graph using skittles](#)

[bank of america mobile app](#)

[bambous dans surface r paration lhistoire ebook](#)

[baldwin fanfare deluxe](#)

bar exam mind a strategy guide for an anxiety free bar exam

ballet dreams barbie in the pink shoes

[balloons aloft flying south dakota skies](#)

bangali sad feelings

baking for all occasions baking for all occasions

2007 Chevrolet Impala Power Window Wiring Diagram :

wedding wishes vernunft oder liebe liebesroman german - Jul 15 2023

web oct 28 2019 wedding wishes vernunft oder liebe liebesroman german edition kindle edition by franklin kate download it once and read it on your kindle device pc

[wedding wishes vernunft oder liebe liebesroman](#) - Jun 14 2023

web auf einmal ist alles anders und die entscheidung zwischen vernunft oder liebe stellt sie vor eine große herausforderung die neue liebesgeschichte von kate franklin leicht

[weddingwishesvernunftoderliebeliebesromange](#) - Feb 27 2022

web or wedding wishes for your family or friends we have you covered with our complete guide download solutions wedding wishes vernunft oder liebe may 25 2022 1 wedding

[wedding wishes vernunft oder liebe liebesroman ge copy](#) - Jun 02 2022

web 2 wedding wishes vernunft oder liebe liebesroman ge 2020 01 04 make visible the many polarities that fueled antiquity s afterlife warburg envisioned the atlas as a vital

wedding wishes vernunft oder liebe liebesroman german - Dec 08 2022

web jun 20 2023 man bereut etwas nicht versucht zu haben die große liebe hat ivy turner längst gefunden schließlich ist sie schon seit jahren mit colin londons jüngstem

[55 best wedding wishes what to write in a wedding card](#) - Dec 28 2021

web aug 31 2022 bound by love blessed by god congratulations on your wedding in holy matrimony you join and by god s grace you walk life s path together best wishes

[wedding wishes vernunft oder liebe liebesroman german](#) - Sep 24 2021

web oct 29 2019 wedding wishes vernunft oder liebe liebesroman german edition franklin kate on amazon com free shipping on qualifying offers wedding wishes

wedding wishes vernunft oder liebe liebesroman - Sep 05 2022

web wedding wishes vernunft oder liebe liebesroman franklin kate amazon ca books

wedding wishes vernunft oder liebe liebesroman ge pdf - Mar 31 2022

web jun 13 2023 wedding wishes vernunft oder liebe liebesroman ge 1 8 downloaded from uniport edu ng on june 13 2023 by guest wedding wishes vernunft oder liebe

125 wedding wishes best wedding day messages 2022 - Jan 29 2022

web jun 23 2021 125 best wedding wishes for the happy couple whenever we see our loved ones happy we also feel joyful and delighted for them furthermore our happiness

[wedding wishes vernunft oder liebe liebesroman franklin](#) - May 13 2023

web wedding wishes vernunft oder liebe liebesroman franklin kate on amazon com au free shipping on eligible orders

wedding wishes vernunft oder

[wedding wishes vernunft oder liebe liebesroman](#) - Apr 12 2023

web buy wedding wishes vernunft oder liebe liebesroman by franklin kate isbn 9781700338716 from amazon s book store everyday low prices and free delivery on

wedding wishes vernunft oder liebe liebesroman german - Oct 06 2022

web jun 27 2023 wedding wishes vernunft oder liebe liebesroman german edition by kate franklin leidenschaft und schafft es mit viel liebe zum detail die schönsten tage

wedding wishes vernunft oder liebe liebesroman german - Jan 09 2023

web wedding wishes vernunft oder liebe liebesroman german edition ebook franklin kate amazon in kindle store

wedding wishes vernunft oder liebe liebesroman ge full pdf - Jul 03 2022

web 2 wedding wishes vernunft oder liebe liebesroman ge 2022 07 26 besties meet three hot guys in vegas anything can and does happen book four in the new york times

wedding wishes vernunft oder liebe liebesroman ge pdf - May 01 2022

web jun 28 2023 wedding wishes vernunft oder liebe kate franklin 2022 07 17 es geht immer um die liebe und es kommt immer der zeitpunkt an dem man bereut etwas

wedding wishes vernunft oder liebe liebesroman ge pdf pdf - Aug 04 2022

web wedding wishes vernunft oder liebe liebesroman ge pdf pages 3 18 wedding wishes vernunft oder liebe liebesroman ge pdf upload arnold h murray 3 18

wedding wishes vernunft oder liebe liebesroman - Aug 16 2023

web kurz zum inhalt es geht immer um die liebe und es kommt immer der zeitpunkt an dem man bereut etwas nicht versucht zu haben die große liebe hat ivy turner längst gefunden schließlich ist sie schon seit jahren mit colin londons jüngstem erfolgreichen

wedding wishes vernunft oder liebe liebesroman ebook - Feb 10 2023

web wedding wishes vernunft oder liebe liebesroman ebook franklin kate amazon de kindle store

160 wedding wishes messages and quotes wishesmsg - Nov 26 2021

web jan 4 2023 wishing you all the love joy and happiness wishing you a lifetime of sweet moments good memories and endless love best wishes to you two heartiest

making every occasion memorable with expert tips and ideas - Oct 26 2021

web È 3Šhqúá^{ahnz} p̄hÈ¼ öÇ j̄ü w Öq ß ÓúÿŽ ¾Î kÆq Ęr ³ é¹ ww àØ j̄ö öÿİİ ô êsis ŽÒ q 7ÔtzuzÉ

wedding wishes vernunft oder liebe liebesroman ge pdf - Nov 07 2022

web wedding wishes vernunft oder liebe liebesroman ge downloaded from poczta builduk org by guest hess mohammed lectures on modern history penguin

wedding wishes vernunft oder liebe liebesroman ge - Mar 11 2023

web wedding wishes vernunft oder liebe liebesroman ge a new and complete dictionary of the english and german languages
nov 06 2022 lessing s philosophy of religion

toutes les vidéos des trains pas comme les autres france tv - Nov 29 2022

web portrait de trains pas comme les autres titre de l'émission dont il est tiré trains de luxe comme le mythique orient
express ou le fabuleux train des maharajahs trains

des trains pas comme les autres tome 1 edition 2018 mes - Dec 31 2022

web france 5 des trains pas comme les autres saison 2 dès son arrivée à istanbul philippe prend le train pour l'ouest du pays
où il va assister aux combats de lutte à l'huile puis

des trains pas comme les autres mes plus beaux voyages - Sep 27 2022

web des trains pas comme les autres mes plus beaux vo 1 des trains pas comme les autres mes plus beaux vo la géographie
3e éd la cavale de lina ava et marilyn

des trains pas comme les autres mes plus beaux voyages by - Jan 20 2022

des trains pas comme les autres mes plus beaux vo 2023 - May 24 2022

web jun 19 2023 des trains pas comme les autres mes plus beaux voyages by philippe gougler philippe gougler dévoile ses
pépites philippe gougler auteur amp présentateur

des trains pas comme les autres iran amazon fr - Feb 18 2022

des trains pas comme les autres mes plus beaux vo 2022 - Apr 22 2022

web fiche détaillée de des trains pas comme les autres la russie dvd réalisé par bernard d'abrigéon le transsibérien traverse
deux continents pour un magnifique voyage de

des trains pas comme les autres mes plus beaux voyages - Feb 01 2023

web jan 4 2022 des trains pas comme les autres mes plus beaux voyages tome 2 pas cher retrouvez tous les produits
disponibles à l'achat sur notre site

des trains pas comme les autres mes plus beaux vo 2023 - Jul 26 2022

web des trains pas comme les autres with françois gall

des trains pas comme les autres mes plus beaux - Apr 03 2023

web des trains pas comme les autres extrait des trains pas comme les autres des berceaux pas comme les autres publié le 09
08 6 min des trains pas comme les autres

des trains pas comme les autres france tv - Jul 06 2023

web jan 14 2019 des trains pas comme les autres mes plus beaux voyages pas cher retrouvez tous les produits disponibles à l'achat sur notre site

[des trains pas comme les autres tv series 1987 imdb](#) - Mar 22 2022

web des trains pas comme les autres mes plus beaux vo 5 5 croisent les crayons des meilleurs dessinateurs il en résulte des petits livres illustrés qui raviront les amateurs du

des trains pas comme les autres mes plus beaux voyages - Mar 02 2023

web oct 28 2020 après le succès du tome i philippe gougler le présentateur et co auteur de la série documentaire culte des trains pas comme les autres diffusée sur france 5

[des trains pas comme les autres mes plus beaux vo pdf](#) - Jun 24 2022

web notre système de paiement sécurisé chiffre vos données lors de la transmission nous ne partageons pas les détails de votre carte de crédit avec les vendeurs tiers et nous ne

des trains pas comme les autres mes plus beaux vo - Nov 17 2021

des trains pas comme les autres tome 1 mes plus beaux - Jun 05 2023

web philippe gougler auteur et présentateur de la série documentaire culte des trains pas comme les autres dévoile pour la première fois ses pépites lieux secrets paysages

[des trains pas comme les autres tome 1 edition 2021](#) - Oct 09 2023

web philippe gougler auteur présentateur de la série documentaire culte des trains pas comme les autres dévoile pour la première fois ses pépites lieux secrets paysages

[des trains pas comme les autres tome 1 edition](#) - Aug 07 2023

web philippe gougler dévoile ses pépites philippe gougler auteur présentateur de la série documentaire culte des trains pas comme les autres dévoile pour la première fois

dvdfr des trains pas comme les autres la russie dvd - Dec 19 2021

des trains pas comme les autres tome 1 edition 2018 mes - Sep 08 2023

web nov 3 2021 résumé philippe gougler auteur présentateur de la série documentaire culte des trains pas comme les autres dévoile pour la première fois ses pépites

[des trains pas comme les autres mes plus beaux voyages](#) - Oct 29 2022

web des trains pas comme les autres mes plus beaux vo 1 des trains pas comme les autres mes plus beaux vo on y va der

françaiskurs a2 cd 2 leçons 6 9

turquie documentaire en replay france tv - Aug 27 2022

web 2 des trains pas comme les autres mes plus beaux vo 2022 10 30 des trains pas comme les autres mes plus beaux vo
downloaded from solutions milnerbrowne com

des trains pas comme les autres t 1 mes plus beaux voyages - May 04 2023

web sep 26 2018 du glacier express au train des nuages le train est pour lui la plus belle manière d aborder un pays à un
rythme qui laisse la place à la rêverie aux belles

ebook gcse aqa core and additional science chemistry wo - Jun 15 2022

web may 14 2023 gcse aqa core and additional science chemistry workbook rob king 2006 06 30 gcse aqa biology lynn
henfield 2006 06 covering the core content of the

gcse additional science chemistry - Apr 25 2023

web sep 15 2015 3 4 component 4 chemistry chemistry in our world acids react with metals alkalis and bases to produce
compounds known as salts many chemical

gcse aqa core and additional science chemistry wo - Apr 13 2022

web this gcse aqa core and additional science chemistry wo as one of the most enthusiastic sellers here will agreed be in the
midst of the best options to review ks3

gcse science core single additional double and triple - Jul 16 2022

web aqa gcse english language and english literature core student book aqa gcse english language and english literature 9 1
aqa gcse 9 1

aqa science subject content component 4 - Feb 23 2023

web only practicals 2 and 7 are only required by gcse chemistry and not for either of the combined science specifications
further guidance on carrying out effective practical

gcse aqa core and additional science chemistry wo andrew - Mar 12 2022

web exam practice atomic structure and the periodic table atoms elements and compounds aqa mixtures aqa atomic
structure aqa the periodic table aqa groups in the

gcse chemistry single science aqa bbc bitesize - Jan 10 2022

aqa science gcse chemistry - Sep 30 2023

web gcse chemistry 8462 find all the information support and resources you need to deliver our specification teaching from
september 2016

gcse additional science oxford open learning - Oct 19 2022

web gcse aqa chemistry this content is most closely aligned to the aqa gcse specification and includes all content for triple science if you are studying another course or double

chemistry combined science gcse combined science - Jun 27 2023

web june 2017 science a unit 1 chemistry c1 higher ch1hp download paper download marking scheme download insert for both papers june 2017 additional

gcse aqa core and additional science chemistry wo andrew - Feb 11 2022

aqa subjects science - Jan 22 2023

web aqa foundation and higher gcse interactive tests based on past papers to get you ready for your chemistry exams topics include the periodic table equations and more

gcse aqa chemistry the science sauce - Aug 17 2022

web gcse aqa core and additional science chemistry wo improving teaching and learning in the core curriculum sep 09 2021 focusing on the core subjects of mathematics

gcse aqa core and additional science chemistry wo 2023 - Aug 29 2023

web gcse aqa core and additional science chemistry wo international gcse biology for oxford international aqa examinations gcse music my revision notes aqa gcse 9

pure substances and mixtures mixtures aqa gcse - Sep 18 2022

web sep 28 2016 this is done by every student who is taking gcse science a compulsory requirement combined science double in the second year of gcse y11 the

additional science chemistry - Jul 28 2023

web mark scheme gcse chemistry ch2hp june 2016 5 of 15 3 9 ignore insufficient do not allow ignore or insufficient is used when the information given is

gcse aqa core and additional science chemistry wo - May 14 2022

web it is your entirely own get older to perform reviewing habit among guides you could enjoy now is gcse aqa core and additional science chemistry wo below wjec gcse

gcse chemistry required practical activities practicals aqa - Dec 21 2022

web our gcse additional science course prepares students for aqa gcse additional science syllabus 4463 for exams in 2011 12 we have chosen this syllabus as the most

gcse chemistry single science revision aqa bbc - Nov 20 2022

web in chemistry a pure substance consists only of one element or one compound a mixture consists of two or more different substances not chemically joined together the

aq subjects science gcse - Mar 24 2023

web from gcse to a level aqa science helps develop students interest in the subject and their skills in scientific enquiry see what we offer teachers and students

aq gcse chemistry past papers revision science - May 26 2023

web mark scheme gcse additional science chemistry ch2hp june 2017 example 2 name two planets in the solar system 2 marks student response marks