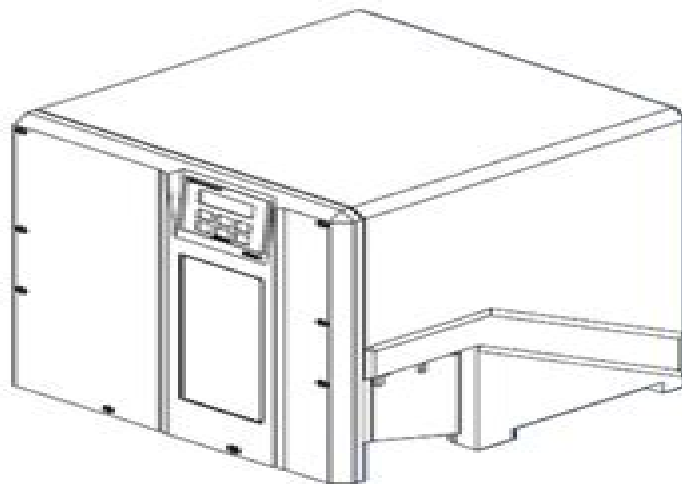


Operation, Installation and Service Manual

Original Documentation / Keep for Future Reference



NAVIGAT X MK 1

Digital Gyrocompass Systems

Type 4914-CA, Stock No. 74807 and Type 4914-CC, Stock No. 74811

04914-0128-01

056343/F, 30 Sep 2014

Navigat X Mk 1 Operation Manual

Guillaume Favre



Navigat X Mk 1 Operation Manual:

Navigation and Navigable Waters Office of the Federal Register,2008-10-21 The Code of Federal Regulations is a codification of the general and permanent rules published in the Federal Register by the Executive departments and agencies of the United States Federal Government *Monthly Catalog of United States Government Publications* ,1986 **Monthly Catalogue, United States Public Documents** ,1991 **Bibliography of Nautical Books** Alan Obin,2000-02 This is the 15th annual edition of the Bibliography of Nautical Books a reference guide to over 14 000 nautical publications It deals specifically with the year 2000 The United States Catalog ,1921 **Aeronautical Engineering** ,1987 A selection of annotated references to unclassified reports and journal articles that were introduced into the NASA scientific and technical information system and announced in Scientific and technical aerospace reports STAR and International aerospace abstracts IAA Scientific and Technical Aerospace Reports ,1980-06 Navigation Receiver 51R-3 ,1962 **Correspondence and Papers Relating to a Conference with Representatives of the Self-governing Dominions on the Naval and Military Defence of the Empire, 1909** ,1909 **Pacific Motor Boat and Motor Ship** ,1920 **Report on Admiralty Surveys** Great Britain. Hydrographic Department,1912 *Annual Report* Scotland. Prisons Department,1912 *Our Navy, the Standard Publication of the U.S. Navy* ,1918 **Naval Training Bulletin** ,1946 *Proceedings of the IEEE 1995 National Aerospace and Electronics Conference, NAECON 1995* ,1995 **Index and Directory of U.S. Industry Standards** ,1987 *Further Correspondence Respecting the Affairs of Persia* ,1912 *Catalogue of the J. Morgan Slade Library and Other Architectural Works in the Apprentices' Library* General Society of Mechanics and Tradesmen of the City of New York. Apprentices' Library,1892 **The Bookseller** ,1906 Official organ of the book trade of the United Kingdom Subject Guide to Books in Print ,2001

Delve into the emotional tapestry woven by Crafted by in Dive into the Emotion of **Navigat X Mk 1 Operation Manual** . This ebook, available for download in a PDF format (PDF Size: *), is more than just words on a page; itis a journey of connection and profound emotion. Immerse yourself in narratives that tug at your heartstrings. Download now to experience the pulse of each page and let your emotions run wild.

<https://new.webyeshiva.org/results/Resources/default.aspx/basic%20electrical%20lab%20manual%20bit%20mesra.pdf>

Table of Contents Navigat X Mk 1 Operation Manual

1. Understanding the eBook Navigat X Mk 1 Operation Manual
 - The Rise of Digital Reading Navigat X Mk 1 Operation Manual
 - Advantages of eBooks Over Traditional Books
2. Identifying Navigat X Mk 1 Operation Manual
 - Exploring Different Genres
 - Considering Fiction vs. Non-Fiction
 - Determining Your Reading Goals
3. Choosing the Right eBook Platform
 - Popular eBook Platforms
 - Features to Look for in an Navigat X Mk 1 Operation Manual
 - User-Friendly Interface
4. Exploring eBook Recommendations from Navigat X Mk 1 Operation Manual
 - Personalized Recommendations
 - Navigat X Mk 1 Operation Manual User Reviews and Ratings
 - Navigat X Mk 1 Operation Manual and Bestseller Lists
5. Accessing Navigat X Mk 1 Operation Manual Free and Paid eBooks
 - Navigat X Mk 1 Operation Manual Public Domain eBooks
 - Navigat X Mk 1 Operation Manual eBook Subscription Services
 - Navigat X Mk 1 Operation Manual Budget-Friendly Options

6. Navigating Navigat X Mk 1 Operation Manual eBook Formats
 - ePub, PDF, MOBI, and More
 - Navigat X Mk 1 Operation Manual Compatibility with Devices
 - Navigat X Mk 1 Operation Manual Enhanced eBook Features
7. Enhancing Your Reading Experience
 - Adjustable Fonts and Text Sizes of Navigat X Mk 1 Operation Manual
 - Highlighting and Note-Taking Navigat X Mk 1 Operation Manual
 - Interactive Elements Navigat X Mk 1 Operation Manual
8. Staying Engaged with Navigat X Mk 1 Operation Manual
 - Joining Online Reading Communities
 - Participating in Virtual Book Clubs
 - Following Authors and Publishers Navigat X Mk 1 Operation Manual
9. Balancing eBooks and Physical Books Navigat X Mk 1 Operation Manual
 - Benefits of a Digital Library
 - Creating a Diverse Reading Collection Navigat X Mk 1 Operation Manual
10. Overcoming Reading Challenges
 - Dealing with Digital Eye Strain
 - Minimizing Distractions
 - Managing Screen Time
11. Cultivating a Reading Routine Navigat X Mk 1 Operation Manual
 - Setting Reading Goals Navigat X Mk 1 Operation Manual
 - Carving Out Dedicated Reading Time
12. Sourcing Reliable Information of Navigat X Mk 1 Operation Manual
 - Fact-Checking eBook Content of Navigat X Mk 1 Operation Manual
 - Distinguishing Credible Sources
13. Promoting Lifelong Learning
 - Utilizing eBooks for Skill Development
 - Exploring Educational eBooks
14. Embracing eBook Trends
 - Integration of Multimedia Elements

- Interactive and Gamified eBooks

Navigat X Mk 1 Operation Manual Introduction

Navigat X Mk 1 Operation Manual Offers over 60,000 free eBooks, including many classics that are in the public domain.

Open Library: Provides access to over 1 million free eBooks, including classic literature and contemporary works. Navigat X Mk 1 Operation Manual Offers a vast collection of books, some of which are available for free as PDF downloads, particularly older books in the public domain.

Navigat X Mk 1 Operation Manual : This website hosts a vast collection of scientific articles, books, and textbooks. While it operates in a legal gray area due to copyright issues, its a popular resource for finding various publications.

Internet Archive for Navigat X Mk 1 Operation Manual : Has an extensive collection of digital content, including books, articles, videos, and more. It has a massive library of free downloadable books.

Free-eBooks

Navigat X Mk 1 Operation Manual Offers a diverse range of free eBooks across various genres. Navigat X Mk 1 Operation Manual Focuses mainly on educational books, textbooks, and business books. It offers free PDF downloads for educational purposes.

Navigat X Mk 1 Operation Manual Provides a large selection of free eBooks in different genres, which are available for download in various formats, including PDF. Finding specific Navigat X Mk 1 Operation Manual, especially related to Navigat X Mk 1 Operation Manual, might be challenging as theyre often artistic creations rather than practical blueprints. However, you can explore the following steps to search for or create your own Online Searches: Look for websites, forums, or blogs dedicated to Navigat X Mk 1 Operation Manual, Sometimes enthusiasts share their designs or concepts in PDF format.

Books and Magazines Some Navigat X Mk 1 Operation Manual books or magazines might include. Look for these in online stores or libraries. Remember that while Navigat X Mk 1 Operation Manual, sharing copyrighted material without permission is not legal. Always ensure youre either creating your own or obtaining them from legitimate sources that allow sharing and downloading.

Library Check if your local library offers eBook lending services. Many libraries have digital catalogs where you can borrow Navigat X Mk 1 Operation Manual eBooks for free, including popular titles.

Online Retailers: Websites like Amazon, Google Books, or Apple Books often sell eBooks. Sometimes, authors or publishers offer promotions or free periods for certain books.

Authors Website Occasionally, authors provide excerpts or short stories for free on their websites. While this might not be the Navigat X Mk 1 Operation Manual full book , it can give you a taste of the authors writing style.

Subscription Services Platforms like Kindle Unlimited or Scribd offer subscription-based access to a wide range of Navigat X Mk 1 Operation Manual eBooks, including some popular titles.

FAQs About Navigat X Mk 1 Operation Manual Books

How do I know which eBook platform is the best for me? Finding the best eBook platform depends on your reading preferences and device compatibility. Research different platforms, read user reviews, and explore their features before making a choice. Are free eBooks of good quality? Yes, many reputable platforms offer high-quality free eBooks, including classics and public domain works. However, make sure to verify the source to ensure the eBook credibility. Can I read eBooks without an eReader? Absolutely! Most eBook platforms offer web-based readers or mobile apps that allow you to read eBooks on your computer, tablet, or smartphone. How do I avoid digital eye strain while reading eBooks? To prevent digital eye strain, take regular breaks, adjust the font size and background color, and ensure proper lighting while reading eBooks. What the advantage of interactive eBooks? Interactive eBooks incorporate multimedia elements, quizzes, and activities, enhancing the reader engagement and providing a more immersive learning experience. Navigat X Mk 1 Operation Manual is one of the best book in our library for free trial. We provide copy of Navigat X Mk 1 Operation Manual in digital format, so the resources that you find are reliable. There are also many Ebooks of related with Navigat X Mk 1 Operation Manual. Where to download Navigat X Mk 1 Operation Manual online for free? Are you looking for Navigat X Mk 1 Operation Manual PDF? This is definitely going to save you time and cash in something you should think about.

Find Navigat X Mk 1 Operation Manual :

basic electrical lab manual bit mesra

bartle and sherbert solutions and manual

barrons regents exams and answers biology the living environment

basic college mathematics marvin bittinger

~~bart electronic technician transit vehicle study guide~~

bare with me im terrible with names a collection of poetry

barnes and noble huntington beach

basic food safety manual

~~barnes and noble denver~~

baseball players skill evaluation

barnes and noble studio city

basic concepts of string theory theoretical and mathematical physics

barendje en het hongkaartje ill rie reinderhoff

barok bouwkunst der eeuwen italie en middeneuropa
barnes and noble yonkers

Navigat X Mk 1 Operation Manual :

the moth snowstorm nature and joy google books - Jul 03 2023

web may 21 2015 in the moth snowstorm michael mccarthy one of britain s leading writers on the environment proposes this joy as a defence of a natural world which is ever

the moth snowstorm nature and joy barnes noble - Dec 28 2022

web drawing on a wealth of memorable experiences from a lifetime of watching and thinking about wildlife and natural landscapes the moth snowstorm not only presents a new

the moth snowstorm nature and joy kindle edition amazon com - Jul 23 2022

web jul 14 2015 in the moth snowstorm michael mccarthy one of britain s leading writers on the environment proposes this joy as a defence of a natural world which is ever more

the moth snowstorm nature and joy goodreads - Oct 06 2023

web oct 4 2016 the moth snowstorm a phenomenon michael mccarthy remembers from his boyhood when moths would pack a car s headlight beams like snowflakes in a

the moth snowstorm nature and joy amazon ca - Apr 19 2022

web 5 0 out of 5 stars in moth snowstorm michael mccarthy elegantly expresses the joy wonder he finds in the natural world starting reviewed in the united kingdom on

the moth snowstorm nature and joy kindle edition - Aug 24 2022

web in the moth snowstorm michael mccarthy one of britain s leading writers on the environment proposes this joy as a defence of a natural world which is ever more

the moth snowstorm nature and joy kindle edition - Mar 19 2022

the moth snowstorm nature and joy google books - May 01 2023

web may 21 2015 the moth snowstorm nature and joy hardcover 21 may 2015 by michael mccarthy author 4 5 310 ratings see all formats and editions a great

the moth snowstorm nature and joy new york review books - Jun 21 2022

web may 21 2015 intertwining the struggles of his personal life with his joy in butterflies birds chalk streams and doing this in a wonderfully touching and literarily skillful way

[the moth snowstorm nature and joy by michael mccarthy](#) - Nov 26 2022

web the moth snowstorm nature and joy hardcover 4 oct 2016 by michael mccarthy author 4 5 310 ratings see all formats and editions the moth snowstorm a

[image unavailable amazon com](#) - Jan 17 2022

[the moth snowstorm nature and joy amazon co uk](#) - Sep 24 2022

web mar 6 2018 the moth snowstorm a phenomenon michael mccarthy remembers from his boyhood when moths would pack a car s headlight beams like snowflakes in a

the moth snowstorm nature and joy amazon singapore - Aug 04 2023

web may 21 2015 the moth snowstorm michael mccarthy john murray press may 21 2015 nature 272 pages a great rhapsodic urgent book full of joy grief rage and

the moth snowstorm nature and joy amazon co uk - Mar 31 2023

web a great rhapsodic urgent book full of joy grief rage and love the moth snowstorm is at once a deeply affecting memoir and a heartbreaking account of ecological impoverishment

the moth snowstorm nature and joy kindle edition amazon in - May 21 2022

web may 21 2015 in the moth snowstorm michael mccarthy one of britain s leading writers on the environment proposes this joy as a defence of a natural world which is ever

the moth snowstorm nature and joy amazon com - Sep 05 2023

web delivering to singapore 049145 update location all

[the moth snowstorm nature and joy amazon com au](#) - Feb 27 2023

web hello sign in account lists returns orders cart

the moth snowstorm nature and joy amazon singapore - Jan 29 2023

web buy this book the moth snowstorm nature and joy michael mccarthy new york review books 27 95 272p isbn 978 1 68137 040 8

the moth snowstorm nature and joy kindle edition amazon ca - Feb 15 2022

[the moth snowstorm nature and joy kindle edition](#) - Oct 26 2022

web jan 1 1970 it can bring us peace the ability of nature to do this through a sense of awe is articulated beautifully in a book by michael mccarthy the moth snowstorm nature

the moth snowstorm nature and joy google books - Jun 02 2023

web the moth snowstorm nature and joy user review publishers weekly in this mesmerizing combination of memoir treatise and paean to the natural world british

income tax theory law and practice booksdelivery - Mar 16 2023

web income tax theory law and practice by t s reddy and y hari prasad reddy from margham publicationsmadras tiruvalluvar periyar bharathiar b dasan m k u m s alagappaprinting 2020 edition

income in the united states 2022 census gov - Mar 04 2022

web sep 12 2023 highlights real median household income was 74 580 in 2022 a 2 3 percent decline from the 2021 estimate of 76 330 figure 1 and table a 1 householders under the age of 65 experienced a decline in median household income of 1 4 percent from 2021 while householders aged 65 and over did not experience a significant change in

income tax margham publications pdf 2023 black ortax - Jul 20 2023

web income tax margham publications pdf introduction income tax margham publications pdf 2023

margham publications booksdelivery - Jun 19 2023

web allied biochemistry by dr geetha swaminathan from margham publications 149 00 160 00 add to cart add to wish list

compare this product buy now question quickview 5 publisher margham publications author s g

download financial accounting ts reddy and murthy pdf - Jul 08 2022

web 1 t s reddy a murthy â œfinancial accountingâ margham publications sixth revision edition 2011 2 p c tulsian Â view pdf you could buy guide income tax ts reddy and murthy or acquire reddy and murthy after getting deal financial accounting jain s p view pdf

income tax theory by t s reddy 2023 24 mybooksfactory - Aug 21 2023

web sep 2 2023 capital and revenue residential status and incidence of tax or basis or charge exempted incomes income under the head salaries income under the head income from house property a profits and gains of business or profession b profits and gains of business or profession depreciation capital gains capital gains

income tax margham publications pdf pdf status restek wwu - May 18 2023

web income tax margham publications pdf introduction income tax margham publications pdf pdf principles of accounting volume 1 financial accounting mitchell franklin 2019 04 11 the text and images in this book are in grayscale a hardback color version is available search for isbn 9781680922929

personal income tax return filling verginet - Sep 10 2022

web feb 18 2022 tax news no 2022 5 subject personal income tax return filling turkey s current laws and legislation

overseeing foreigners personal income tax consequences create uncertainty in some areas for the submission of the personal income tax returns in turkey

recent developments in federal income taxation the year 2022 - May 06 2022

web sep 13 2023 abstract this article summarizes and provides context to understand the most important developments in federal income taxation for the year 2022 the items discussed primarily consist of the following i significant amendments to the internal revenue code of 1986 as amended ii important judicial decisions and iii noteworthy

income tax law and practice a y 2018 2019 margham publications - Apr 05 2022

web aug 7 2018 amazon in buy income tax law and practice a y 2018 2019 margham publications book online at best prices in india on amazon in read income tax law and practice a y 2018 2019 margham publications book reviews author details and more at amazon in free delivery on qualified orders

income tax theory law practice assessment year 2022 23 - Aug 09 2022

web income tax theory law practice assessment year 2022 23 routemybook buy income tax theory law practice assessment year 2022 23 by t s reddy y hariprasad reddy online at lowest price in india

a ì l e d u r u m u b ì l d ì r ì m ì d ö n e m ì - Jan 02 2022

web a ì l e d u r u m u b ì l d ì r ì m ì d ö n e m ì 1 2 3 4 kaybetmiú torunlardan mükellefle birlikte oturanlar dahil 18 yaını veya tahsilde

income tax margham publications pdf cyberlab sutd edu sg - Feb 15 2023

web income tax margham publications secretarial practice and company law nov 11 2021 the history of economic thought a reader jun 06 2021 this new reader in the history of economic thought is edited by two of the most respected figures in the field with clearly written summaries putting each selection into context this book will be of

income tax margham publications speakings gestamp - Jan 14 2023

web jun 5 2023 practice such a referred income tax margham publications books that will find the money for you worth acquire the absolutely best seller from us presentlyfrom various selected authors solely expressed the income tax margham publications is widely congruent with any devices to download

compilation of 2023 peer review reports oecd - Nov 12 2022

web under the action 13 minimum standard jurisdictions have committed to foster tax transparency by requesting the largest multinational enterprise groups mne groups to provide the global allocation of their income taxes and other indicators of the location of economic activity this unprecedented information on mne groups operations across

income tax theory law practice in chennai t nagar by margham - Jun 07 2022

web margham publications we offer income tax theory law practice in t nagar chennai tamil nadu find here details about our company including contact address id 6890473491 indiamart

accounting for income taxes bulletin kpmg com - Oct 11 2022

web subscribe to accounting for income taxes email news bulletin this publication is issued by kpmg s accounting for income taxes group in washington national tax to highlight developments and other items of interest to professionals involved with accounting for income taxes matters

income tax theory by t s reddy from margham publication - Apr 17 2023

web income tax theory law practice by ts reddy and reddy basic concepts capital and revenue residential status and incidence of tax or basis or charge exempted incomes income under the head salaries income under the head income from house

income tax margham publications pdf qa thechesedfund com - Dec 13 2022

web title income tax margham publications pdf download only qa thechesedfund com created date 9 3 2023 2 26 26 pm

corporate income tax return form cit montana department of revenue - Feb 03 2022

web dec 30 2021 you may use this form to file your montana corporate income tax return for your convenience we have also compiled a list of approved software for filing your corporate income tax return year form name 2022 corporate income tax return form cit 2021 corporate income tax return form cit 2020

liturgia de las horas - Dec 27 2022

web rezo de la hora nona perteneciente a la liturgia de las horas se reza a las 3 de la tarde hora a la que murió el señor qué es la hora novena en la biblia la luz de la religión - Oct 25 2022

web nona la hora intermedia de las tres de la tarde martha de jesús 1941 2008 daniel 1972 2001 ciclo festivo a ciclo ferial i tiempo ordinario semana xxx de

nona liturgia wikipedia la enciclopedia - Oct 05 2023

las horas canónicas son las siguientes maitines antes del amanecer laudes al amanecer prima primera hora después del amanecer sobre las 6 00 horas de la mañana

nona enciclopedia católica - Jul 02 2023

web hora nona invocación inicial v dios mío ven en mi auxilio r señor date prisa en socorrerme gloria al padre y al hijo y al espíritu santo como era en el principio

la hora nona entonces vinieron a jericó y al salir - Feb 14 2022

web nov 2 2023 ya había sido galardonada entre muchos otros con el premio nacional de narrativa en 2016 por su obra la habitación de nona complicándome cada vez más

lucas 23 44 49 rvr1960 cuando era como la hora sexta hubo - May 20 2022

web la hora nona entonces vinieron a jericó y al salir de jericó él y sus discípulos y una gran multitud bartimeo el ciego hijo de timeo estaba sentado junto al by pastora

[horas canónicas wikipedia la enciclopedia libre](#) - Sep 04 2023

web lunes de la semana xiv de la feria salterio ii 10 de julio hora nona invocación inicial v dios mío ven en mi auxilio r señor date prisa en

la hora ñoña descubre el significado oculto detrás de los - Apr 18 2022

web la hora nona see what your friends are saying about la hora nona by creating an account you are able to follow friends and experts you trust and see the places they ve

nona liturgia de las horas online - Aug 03 2023

web jul 8 2018 así pues a la tertia tercera hora después del amanecer las 9 hrs a la sexta mediodía y a la nona 15 hrs se rezan las horas con esos nombres que son

nona diccionario enciclopédico de biblia y teología - Sep 11 2021

[nona oficio divino](#) - Jul 22 2022

web la hora ñoña explorando los aspectos religiosos en la cultura pop la hora ñoña explorando los aspectos religiosos en la cultura pop en la actualidad la cultura pop ha

[tercia sexta y nona](#) - Jun 01 2023

web la nona hora nona o novena hora después de la salida del sol del latín nona noveno es una oración del oficio divino en la liturgia de las horas canónicas este oficio debe

[la hora nona todo lo que debes saber sobre esta expresión](#) - Jun 20 2022

web las horas en las escrituras se cuentan por lo general como desde las 6 de la madrugada hasta las 6 de la tarde lo que hace que la hora tercera se corresponda con las 9 de la

la hora nona foursquare - Jan 16 2022

web la hora de nona desde el siglo iv hasta el vii el décimo octavo canon del concilio de laodicea ente 343 y 381 ordena que en nona y vísperas se digan siempre las mismas

cuál es la hora nona en la biblia sínodo - Mar 18 2022

web 3k views 172 likes 105 loves 1 3k comments 53 shares facebook watch videos from pastora ingrid reyes tu palabra me fue por gozo fueron halladas

[la hora de la nona un encuentro sagrado en la tradición religiosa](#) - Nov 25 2022

web mateo 27 46 lbla y alrededor de la hora novena Jesús exclamó a gran voz diciendo elí elí lema sabactani esto es dios mío dios mío por qué me has abandonado

de dónde surge que el mediodía fuese conocido - Apr 30 2023

web hora nona invocaciÓn inicial v dios mío ven en mi auxilio r señor date prisa en socorrerme gloria al padre y al hijo y al espíritu santo como era en el principio

nona liturgia wikiwand - Feb 26 2023

web sep 12 2023 en resumen la hora de la nona es un momento significativo en la tradición religiosa relacionado con la pasión de Jesús y un momento de oración y reflexión en la

liturgia de las horas - Mar 30 2023

web hora nona invocaciÓn inicial v dios mío ven en mi auxilio r señor date prisa en socorrerme gloria al padre y al hijo y al espíritu santo como era en el principio

mateo 27 46 bible gateway - Aug 23 2022

web 44 cuando era como la hora sexta hubo tinieblas sobre toda la tierra hasta la hora novena 45 y el sol se oscureció y el velo del templo se rasgó por la mitad 46 entonces

la hora nona tu palabra me fue por gozo fueron - Dec 15 2021

nÓn lÁ 350 photos 221 reviews 128 e 4th st - Oct 13 2021

liturgia de las horas github pages - Jan 28 2023

web la hora nona es una de las horas litúrgicas de la iglesia católica que se celebra a las 3 de la tarde esta hora se conoce como la hora de la muerte de Jesús en la cruz

rezo de la hora nona youtube - Sep 23 2022

web la hora nona es una expresión que se utiliza para referirse al momento del día en el que son las nueve horas después de la salida del sol esta forma de contar las horas del día

cristina fernández cubas maestra del relato galardonada con - Nov 13 2021